

STARTING CIRCUIT CUT-OFF SYSTEM

The starting circuit cut-off system is employed. Hence, the following description.

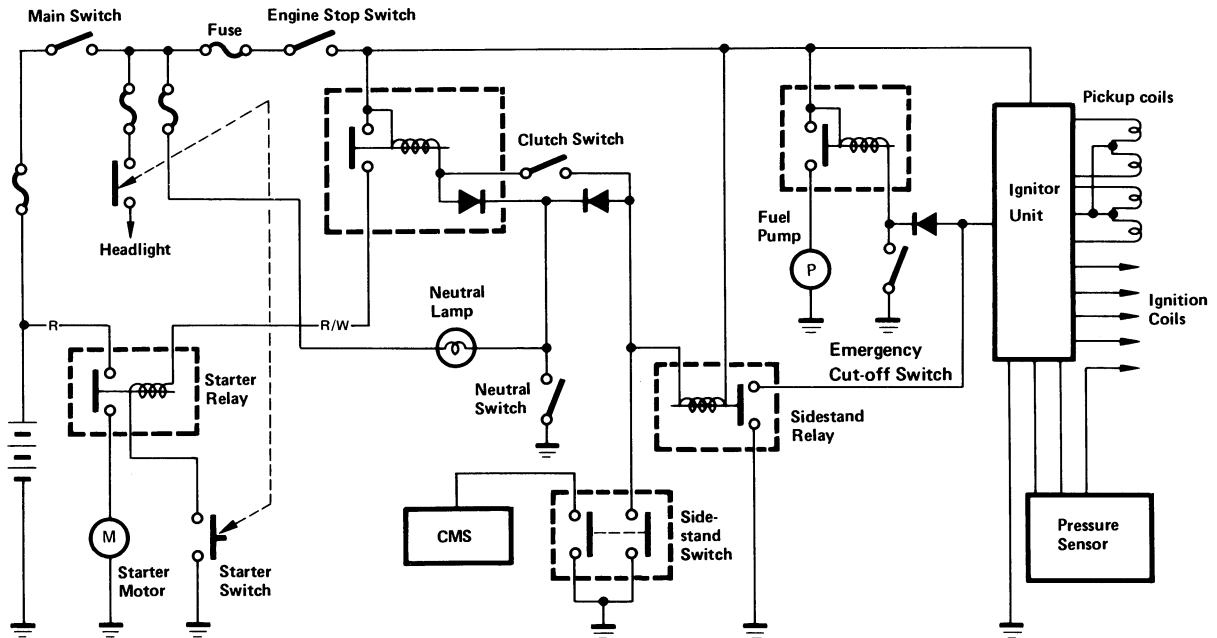
Starting Circuit Operation

The starting circuit on this model consists of the starter motor, starter relay, and the starting circuit cut-off relay. If the engine stop switch and the main switch are both on, the starter motor can operate only if:

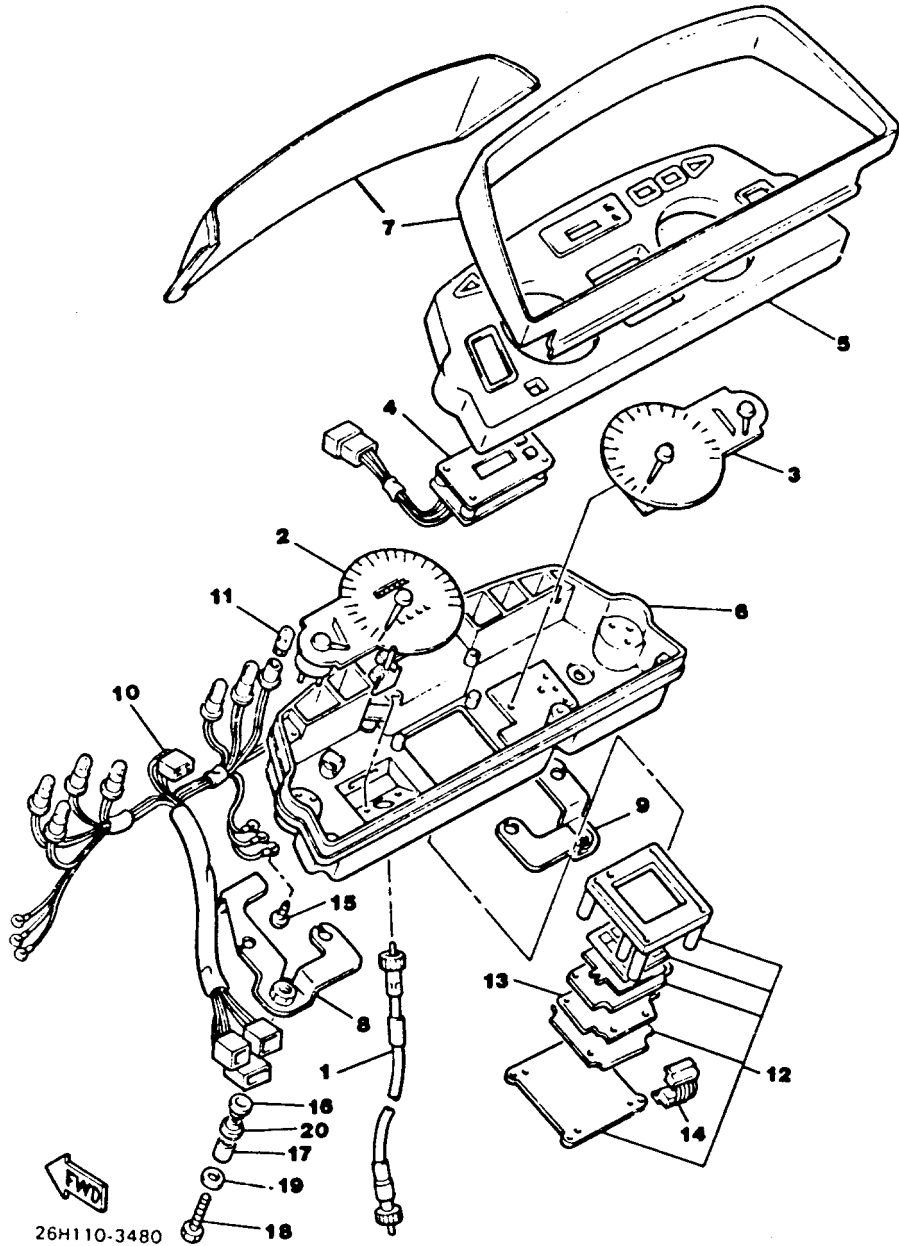
- The transmission is in neutral (the neutral switch is on).
- or if
- The clutch lever is pulled to the handlebar (the clutch switch is on) and the sidestand is up (the sidestand switch is on.)

Only under the aforementioned conditions can the engine be started.

When the motorcycle is in any other mode of operation, the starting circuit cut-off relay will prevent the starter from operating by cutting off current to the starter motor.



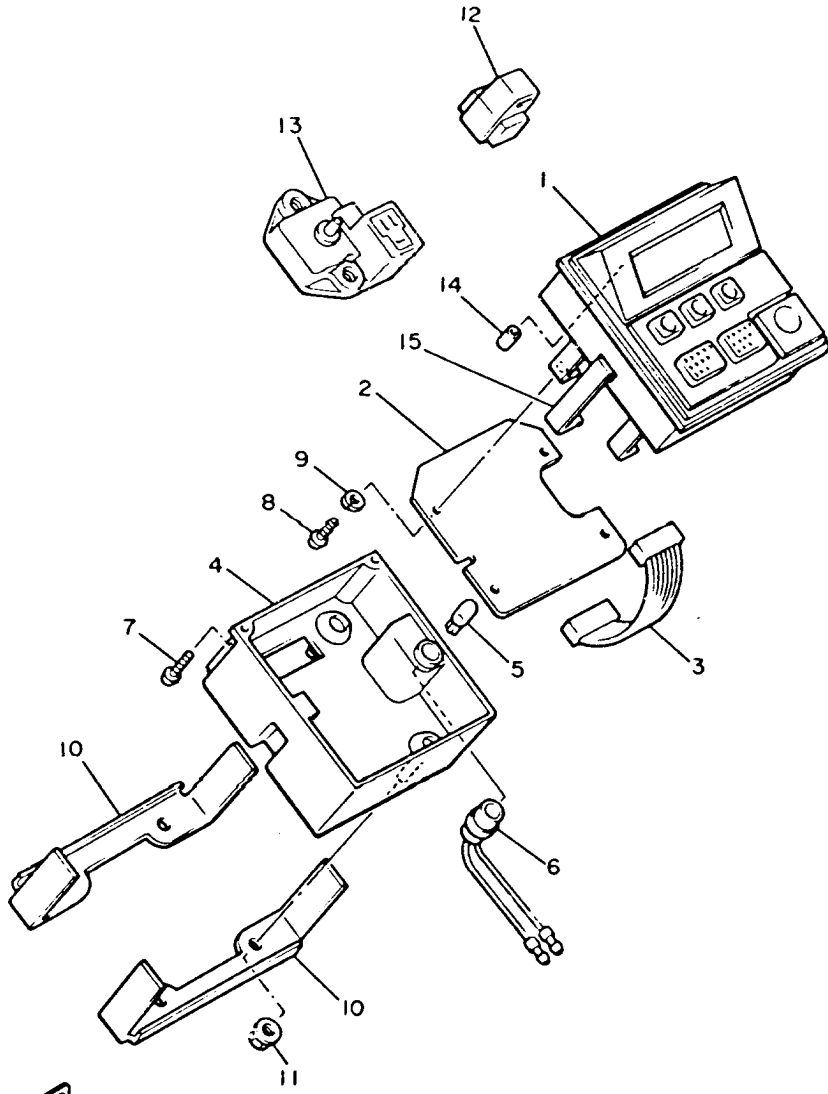
METER



26H110-3480

Ref. No.	Part Number	Description	Qty	Remarks
1	26H-83550-00-00	SPEEDOMETER CABLE ASS'Y	1	
2	26H-83570-A0-00	SPEEDOMETER ASSEMBLY ..	1	
3	26H-83540-A0-00	TACHOMETER ASSEMBLY ...	1	
4	26H-83740-00-00	DIGITAL CLOCK ASSEMBLY ..	1	
5	26H-83571-00-00	CASE, SPEEDOMETER UPPER	1	
6	26H-83572-00-00	CASE, SPEEDOMETER LOWER	1	
7	26H-8353G-00-00	CASE, upper	1	
	26-H8353-H0-00	CASE, INNER	1	
8	26H-83519-00-00	BRACKET, meter	1	
9	26H-83545-00-00	BRACKET, tachometer	1	
10	26H-83509-00-00	SOCKET CORD ASSEMBLY ..	1	
11	4G1-84744-00-00	BULB, MTR.12V3.4W	8	
12	26H-W8351-M0-00	LCD UNIT SET	1	
13	26H-83750-M0-00	PRINT BOARD ASSEMBLY ...	1	
14	26H-8356N-00-00	WIRE, LEAD	1	
15	90164-03016-00	SCREW, TAPPING	8	
16	90480-14023-00	GROMMET	2	
17	90560-07007-00	SPACER	2	
18	97011-06025-00	BOLT (97001-06025)	2	
19	90201-06067-00	WASHER, PLATE	2	
20	90480-10070-00	GROMMET	2	

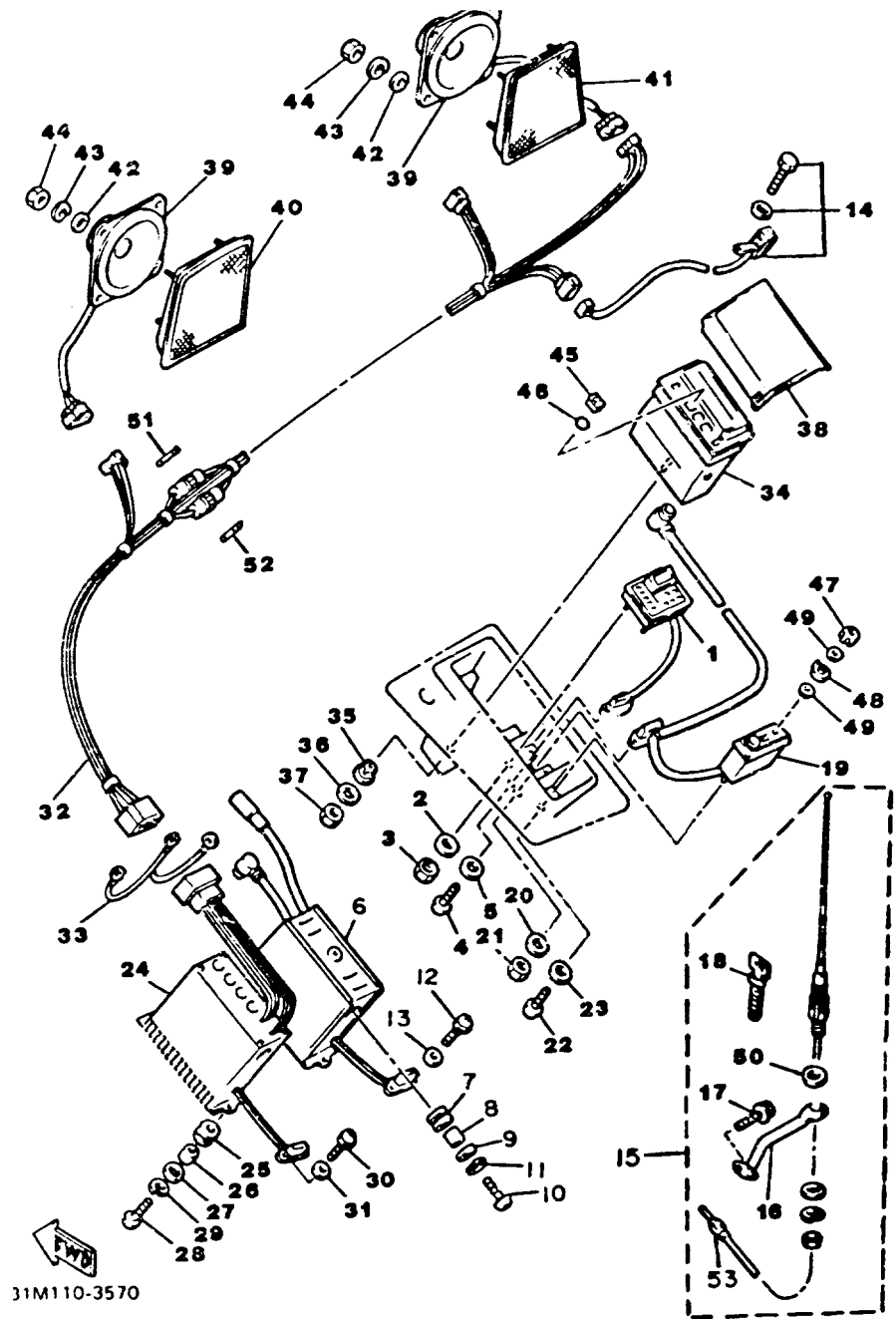
CONTROL - UNIT



31M110-3560

Ref. No.	Part Number	Description	Qty	Remarks
1	31M-W8591-M0-00	PRINT BOARD/CASE SET	1	
2	31M-85921-M0-00	PRINT BOARD ASS'Y 2	1	
3	26H-8356N-00-00	WIRE, LEAD	1	
4	31M-85913-00-00	CASE, under	1	
5	10L-83517-00-00	BULB	1	
6	31M-83520-00-00	SOCKET CORD ASS'Y	1	
7	90164-03016-00	SCREW, TAPPING	5	
8	98580-03008-00	SCREW, PAN HEAD	4	
9	92902-03600-00	WASHER	4	
10	31M-85991-00-00	BRACKET, UNIT	2	
11	95701-04500-00	NUT, FLANGE	4	
12	25G-81950-01-00	RELAY ASSEMBLY	1	
13	31M-85981-00-00	PRESSURE, sensor	1	
14	31M-83535-00-00	TUBE	1	
15	31M-83595-00-00	CLAMP	1	

AUDIO

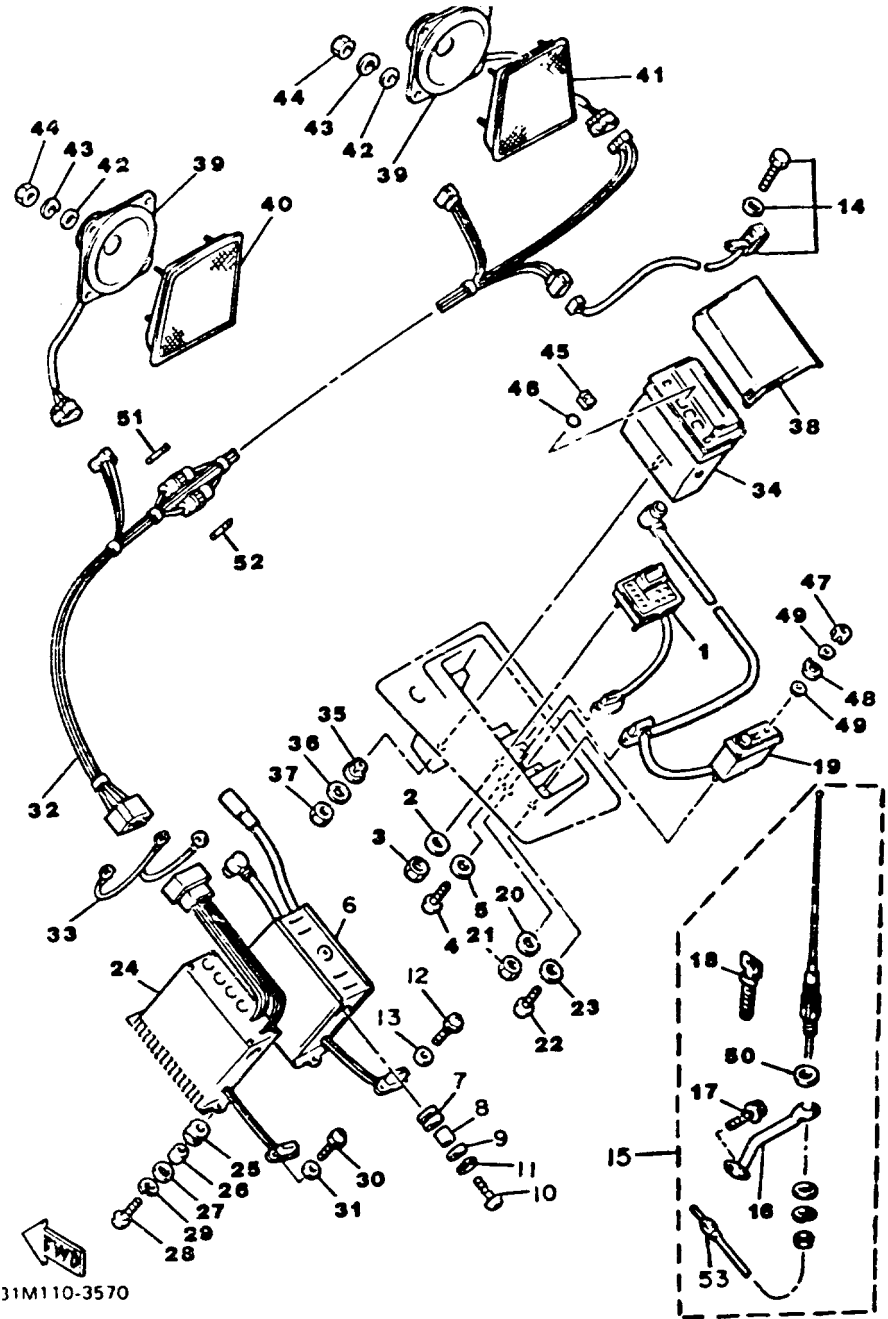


31M110-3570

Ref. No.	Part Number	Description	Qty	Remarks
1	UNA-VAILA-BL-EI	0 0		
2	92901-04600-00	WASHER, PLATE	4	
3	95301-04600-00	NUT	4	
4	97780-30512-00	SCREW, TAPPING (97702-30512-00)	2	
5	92902-03600-00	WASHER	2	
6	UNA-VAILA-BL-EI	0 0		
7	90480-09364-00	GROMMET	4	
8	90387-046N2-00	COLLAR	4	
9	90201-04325-00	WASHER, PLATE	4	
10	98511-04012-00	SCREW, PAN HEAD	4	
11	92901-04600-00	WASHER, PLATE	4	
12	98580-03008-00	SCREW, PAN HEAD	2	
13	92902-03600-00	WASHER	2	
14	26H-W8813-00-00	HANDLE SWITCH TUNER ASSEMBLY & FITTING SET ...	1	
15	26H-W8814-00-00	ANTENNA ASSEMBLY & FITTING SET	1	
16	26H-88144-01-00	. BRACKET, ANTENNA	1	
17	95811-06012-00	. BOLT, FLANGE	2	
18	437-83936-01-00	BAND, SWITCH CORD	1	
19	UNA-VAILA-BL-EI	0 0		
20	92901-04600-00	WASHER, PLATE	2	
21	95301-04600-00	NUT	2	
22	97780-30512-00	SCREW, TAPPING (97702-30512-00)	2	
23	92902-03600-00	WASHER	2	
24	UNA-VAILA-BL-EI	0 0		
25	90480-09364-00	GROMMET	4	
26	90387-046N2-00	COLLAR	4	

CONTINUED ON NEXT FRAME ►

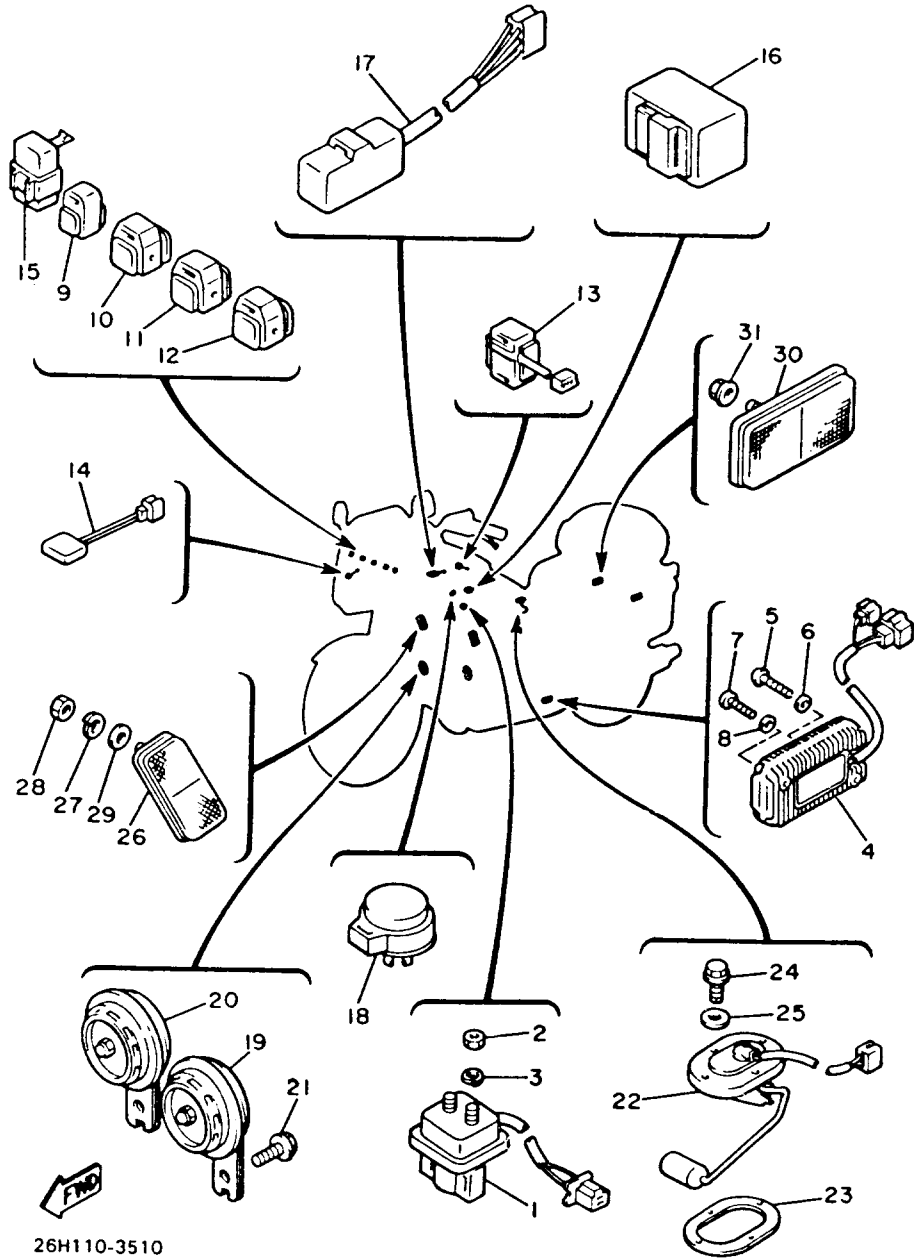
AUDIO



31M110-3570

Ref. No.	Part Number	Description	Qty	Remarks
27	90201-04325-00	WASHER, PLATE	4	
28	98511-04012-00	SCREW, PAN HEAD	4	
29	92901-04600-00	WASHER, PLATE	4	
30	98580-03008-00	SCREW, PAN HEAD	2	
31	92902-03600-00	WASHER	2	
32	26H-88136-00-00	CORD, AMP	1	
33	26H-8232Y-00-00	WIRE, earth lead	1	
34	UNA-VAILA-BL-EI	0 0		
35	26H-28227-00-00	DAMPER 2	1	
36	90201-056G0-00	WASHER, PLATE	1	
37	95301-05600-00	NUT	1	
38	26H-88153-00-00	COVER, cassette deck	1	
39	26H-88161-00-00	SPEAKER 1	2	
40	26H-88163-00-00	GRILLE, speaker 1	1	
41	26H-88173-00-00	GRILLE, speaker 2	1	
42	90201-05775-00	WASHER, PLATE	8	
43	92990-05100-00	WASHER, SPRING	8	
44	95301-05600-00	NUT	8	
45	26H-88157-00-00	BUTTON 1	1	
46	26H-88159-00-00	O-RING	1	
47	26H-88137-00-00	BUTTON 1	1	
48	26H-88138-00-00	KNOB 2	1	
49	26H-88139-00-00	WASHER, gum	2	
50	26H-88149-00-00	DAMPER	1	
51	90602-30103-00	FUSE (4A) (26H-82151-10-00)	1	
52	90602-30103-00	FUSE (4A) (26H-82151-10-00)	1	
53	26H-88146-00-00	CABLE	1	

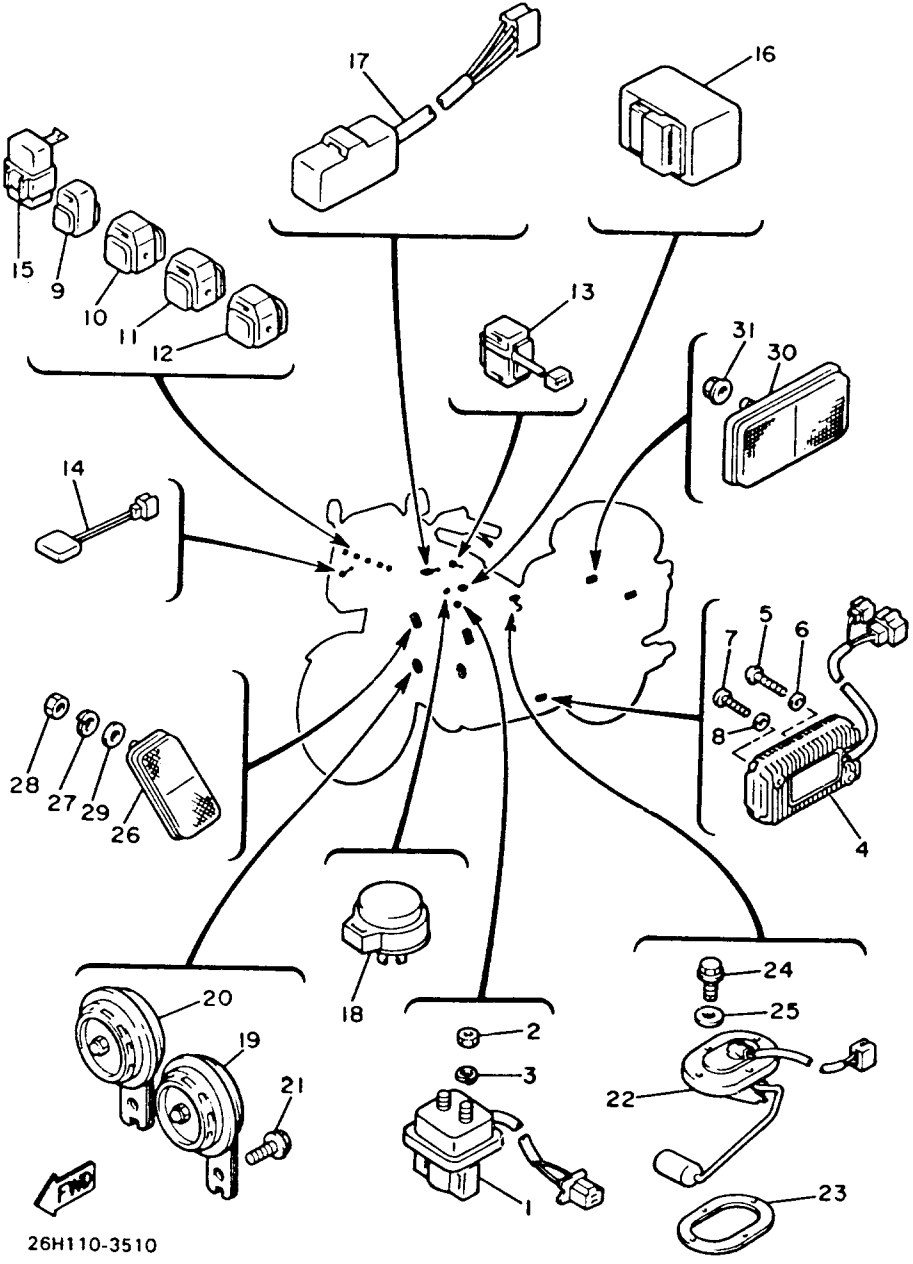
ELECTRICAL 1



Ref. No.	Part Number	Description	Qty	Remarks
1	3AY-81940-00-00	STARTER RELAY ASSEMBLY .	1	
2	95303-06700-00	NUT	2	
3	92990-06100-00	WASHER, SPRING	2	
4	26H-81960-A0-00	RECTIFIER & REGULATOR ASSEMBLY	1	
5	98506-06035-00	SCREW, PAN HEAD	1	
6	92906-06600-00	WASHER	1	
7	98506-06016-00	SCREW, PANHEAD	1	
8	92906-06600-00	WASHER	1	
9	25G-81950-01-00	RELAY ASSEMBLY	1	
10	12R-81950-01-00	RELAY ASSEMBLY.RELAY (4H7-81950-01)	1	
11	4U8-81950-02-00	RELAY ASSEMBLY. (4U8-81950-00)	1	
12	25G-81950-01-00	RELAY ASSEMBLY	1	
13	2H7-82576-00-00	EMERGENCY STOP SWITCH ASS'Y	1	
14	4L6-81980-M0-00	DIODE	1	
15	26H-85740-00-00	CONTROL UNIT ASSEMBLY 1 .		
16	4E6-83350-70-00	FLASHER RELAY ASSEMBLY .	1	
17	1A0-83395-03-00	FLASHER CANCL UNIT	1	
18	3H5-83360-00-00	HAZARD FLASHER RELAY ASSEMBLY	1	
19	26H-83371-20-00	HORN	1	
20	26H-83371-30-00	HORN	1	
21	95023-08016-00	BOLT	2	
22	26H-85752-00-00	SENDER UNIT ASS'Y, fuel meter	1	
23	2H7-85753-00-00	GASKET, SENDER UNIT	1	
24	95821-06014-00	BOLT, FLANGE	4	
25	90202-06010-00	WASHER, PLATE	4	

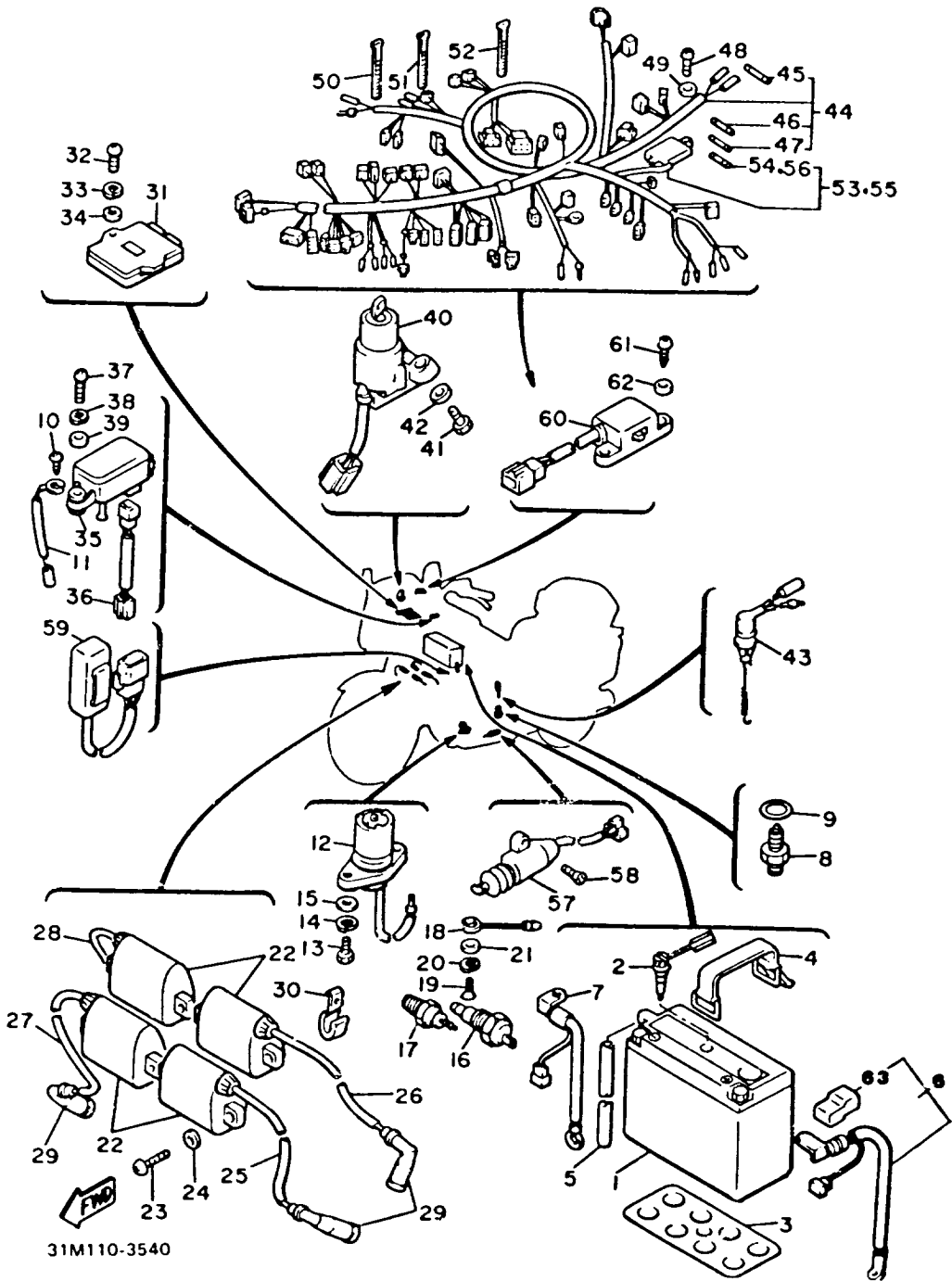
CONTINUED ON NEXT FRAME ►

ELECTRICAL 1



Ref. No.	Part Number	Description	Qty	Remarks
26	11H-85110-01-00	REFLECTOR ASSEMBLY	2	
27	92990-05100-00	WASHER, SPRING	2	
28	95301-05700-00	NUT (95302-05700)	2	
29	92990-05200-00	WASHER, PLAIN	2	
30	3Y6-85130-01-00	REAR REFLECTOR ASSEMBLY	2	
31	95701-05500-00	NUT, FLANGE	2	

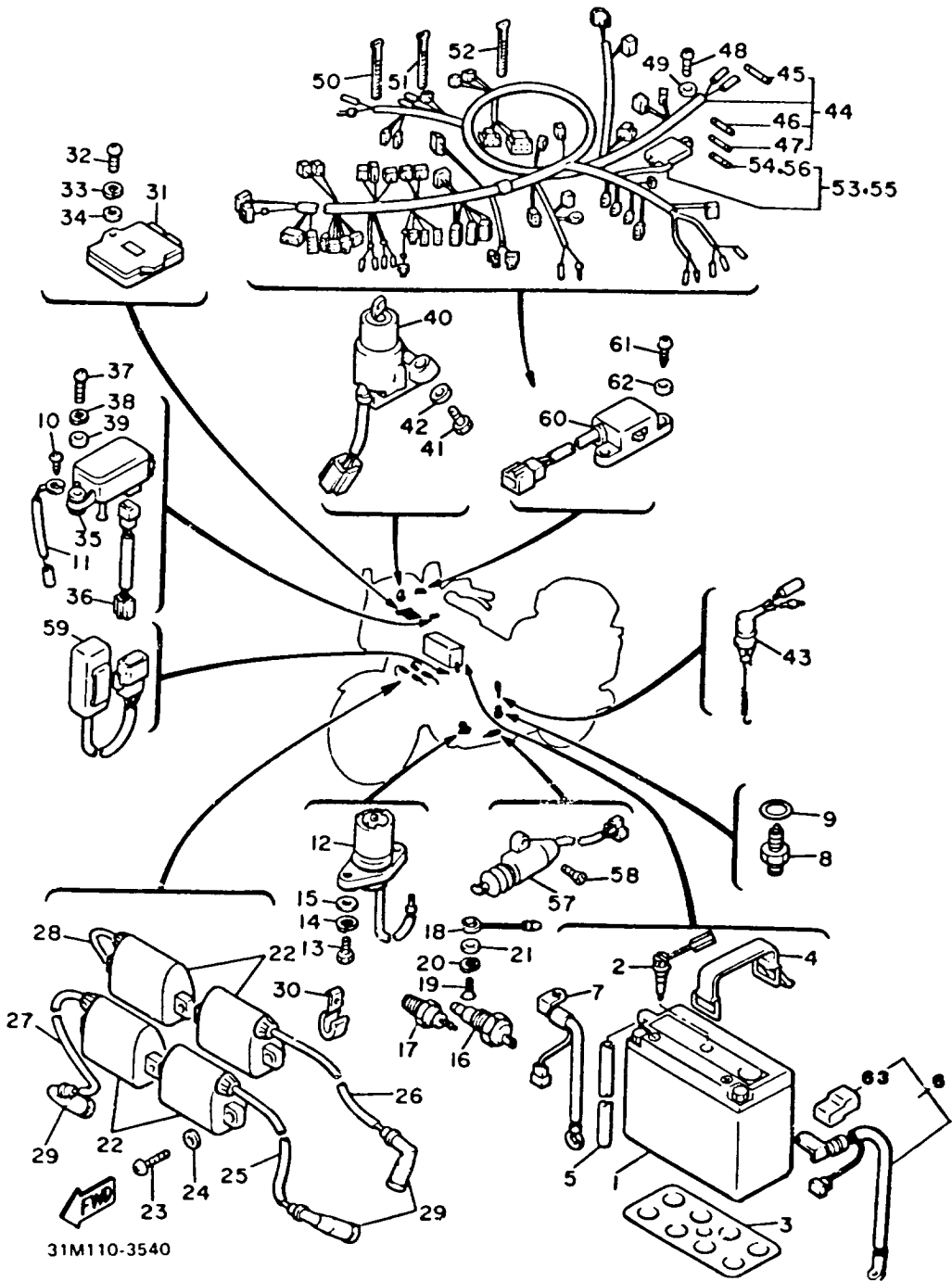
ELECTRICAL 2



Ref. No.	Part Number	Description	Qty	Remarks
1	BTG-GM18Z-3A-S0	GS GM18Z-3AS	1	
2	26H-82120-00-00	SENDER, battery	1	
3	26H-82122-00-00	SEAT, battery	1	
4	26H-82131-00-00	BAND, BATTERY	1	
5	90445-08716-00	HOSE	1	
6	26H-82115-00-00	WIRE, plus lead	1	
7	26H-82116-00-00	WIRE, minus lead	1	
8	1L9-82540-00-00	NEUTRAL SWITCH ASSEMBLY	1	
9	93210-29196-00	O-RING	1	
10	98701-05012-00	SCREW, FLAT HEAD	3	
11	26H-82541-00-00	WIRE, LEAD	1	
12	1NL-85720-00-00	OIL LVL GAUGE ASSEMBLY ..	1	
13	97011-06020-00	BOLT	2	
14	92990-06100-00	WASHER, SPRING	2	
15	90201-061A5-00	WASHER, PLATE	2	
16	11H-82560-00-00	THERMO SWITCH ASSEMBLY	1	
17	11H-83591-00-00	THERMO UNIT	1	
18	26H-83354-00-00	WIRE, EARTH LEAD 1	1	
19	98580-04008-00	SCREW, PAN HEAD	1	
20	92901-04600-00	WASHER, PLATE	1	
21	92901-04600-00	WASHER, PLATE	1	
22	25G-82310-10-00	IGNITION COIL ASSEMBLY ...	4	
23	92580-06020-00	SCREW, PAN HEAD	8	
24	90201-061A5-00	WASHER, PLATE	8	
25	41R-82341-00-00	CORD, HIGH TENSION 1 (26H-82341-00-00)	1	
26	41R-82342-00-00	CORD, high tension 2	1	
27	41R-82343-00-00	CORD, HIGH TENSION 3 (26H-82343-00-00)	1	

CONTINUED ON NEXT FRAME ►

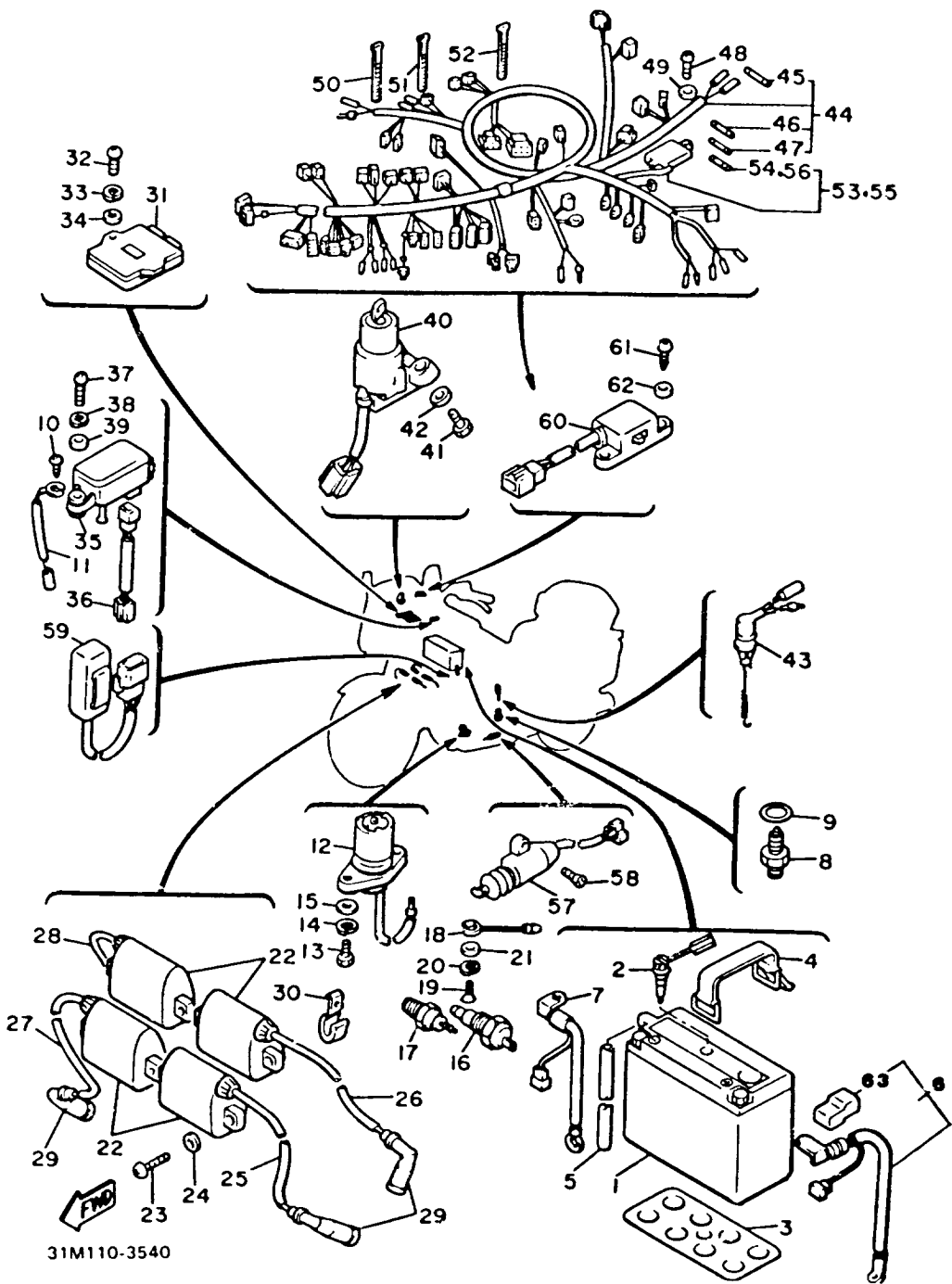
ELECTRICAL 2



Ref. No.	Part Number	Description	Qty	Remarks
28	41R-82344-00-00	CORD, high tension 4	1	
29	4G0-82370-21-00	PLUG CAP ASS"Y	4	
30	90-46110-09-40	CLAMP	2	
31	26H-82305-10-00	IGNITOR UNIT ASSEMBLY	1	
32	98503-06014-00	SCREW, PAN HEAD (92502-06016)	2	
33	92990-06100-00	WASHER, SPRING	2	
34	90201-06052-00	WASHER, PLATE	2	
35	22N-82380-10-00	SENSOR, PRESSURE	1	
36	26H-82309-00-00	WIRE, sub lead	1	
37	92580-06020-00	SCREW, PAN HEAD	2	
38	92990-06100-00	WASHER, SPRING	2	
39	90201-065F3-00	WASHER, PLATE	2	
40	1NL-82501-00-00	MAIN SWITCH STEERING LOCK	1	
41	97313-06016-00	BOLT, HEXAGON	2	
42	90201-061A5-00	WASHER, PLATE	2	
43	1E9-82530-02-00	STOP SWITCH ASSEMBLY (1E9-82530-00-00)	1	
44	31M-82590-00-00	WIRE HARNESS ASSEMBLY	1	
45	116-82151-00-00	. FUSE (10A)	4	
46	4X7-82151-00-00	. FUSE	1	
47	5G2-82151-00-00	. FUSE	1	
48	97780-50520-00	SCREW, TAPPING	1	
49	92990-06200-00	WASHER	1	
50	437-83936-11-00	BAND, SWITCH CORD	1	
51	437-83936-01-00	BAND, SWITCH CORD	9	
52	25G-83936-01-00	BAND, SWITCH CORD	1	
53	26H-82150-01-00	FUSE HOLDER ASS"Y	1	
54	707-82151-00-00	. FUSE (40A)	1	

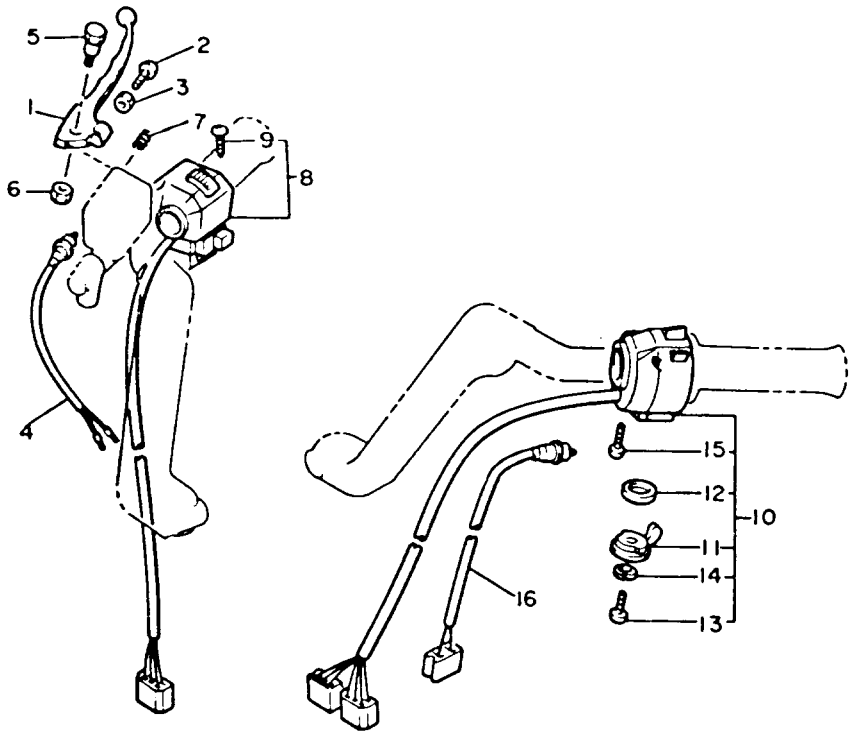
CONTINUED ON NEXT FRAME ►

ELECTRICAL 2



Ref. No.	Part Number	Description	Qty	Remarks
55	4X7-82150-00-00	FUSE HOLDER ASSEMBLY ...	1	
56	1A0-82161-00-00	. FUSE (20A) (148-82151-00-00)	2	
57	26H-82566-00-00	SWITCH, side stand	1	
58	98706-05016-00	SCREW, FLAT HEAD	2	
59	10M-84308-00-00	RESERVE LIGHTING UNIT ASS'Y	1	
60	26H-83362-00-00	HAZARD FLASHER SWITCH ..	1	
61	97780-40112-00	SCREW, TAPPING	2	
62	92990-04200-00	WASHER, PLAIN	2	
63	31A-82119-00-00	. COVER, LEAD WIRE	1	INCLUDED W/ITEM 6

HANDLE SWITCH - LEVER



Ref. No.	Part Number	Description	Qty	Remarks
1	26H-83922-10-00	LEVER 2 (26H-83922-01)	1	
2	90149-06131-00	SCREW	1	
3	90170-06010-00	NUT	1	
4	26H-83980-00-00	FRONT STOP SWITCH ASSEMBLY	1	
5	90109-06577-00	BOLT	1	
6	95616-06100-00	NUT, U	1	
7	90501-10510-00	SPRING, COMPRESSION	1	
8	26H-83975-00-00	SWITCH, HANDLE 2	1	
9	98506-05020-00	. SCREW, PAN HEAD	2	
10	15R-83973-00-98	SWITCH, HANDLE 3 (10M-83973-00-00)	1	
11	10M-83941-00-00	. LEVER, STARTER	1	
12	90209-10131-00	. WASHER	1	
13	98580-06008-00	. SCREW, PAN HEAD	1	
14	92990-06100-00	. WASHER, SPRING	1	
15	98506-05020-00	. SCREW, PAN HEAD	2	
16	26H-82917-00-00	SWITCH	1	

Signal System Tests and Checks

The battery provides power for operation of the horn, brakelight, indicator lights and falsher light. If none of the above operates, always check battery voltage before proceeding further. Low battery voltage indicates either a faulty battery, low battery fluid level, or a defective charging system. Also check fuse condition. Replace any "open" fuses. There are individual fuses for various circuits (see complete Circuit Diagram).

Horn does not work:

1. Check for 12V on brown wire to horn.
2. Check for good grounding of horn (pink wire) when horn button is pressed

Brake light does not work:

1. Check bulb.
2. Check for 12V on yellow wire to brake light.
3. Check for 12V on brown wire to each brake light switch (front brake and rear brake switches).

Flasher light(s) do not work:

1. Check bulb.
2. Right circuit:
 - a. Check for 12V on dark green wire to light.
 - b. Check for ground on black wire to light assembly.
3. Left circuit:
 - a. Check for 12V on dark brown wire to light.
 - b. Check for ground on black wire to light assembly.
4. Reight and left circuits do not work:
 - a. Check for 12V on brown/white wire to flasher switch on left handlebar.
 - b. Check for 12V on brown wire to flasher relay.
 - c. Replace flasher relay.
 - d. Replace flasher switch.
5. Check flasher self-cancelling system.
(Refer to flasher self-cancelling system.)

Neutral light does not work:

1. Check bulb.
2. Check for 12V on sky blue wire to neutral switch.
3. Replace neutral switch.

Self-cancelling Flasher System

Description:

The self-cancelling flasher system turns off the turn signal after a period of time or distance involved in turning or changing lanes. Generally, the signal will cancel after either 10 seconds, or 150 meters (490 feet), whichever is greater. At very low speed, the function is determined by distance; at high speed, especially when changing speeds the cancelling determination is a combination of both times and distance.

Operation:

The handlebar switch has three positions: L (left), OFF, and R (right). The switch lever will return to the "OFF" position after being pushed to L or R, but the signal will function. By pushing the lever in, the signal may be cancelled manually.

Inspection:

If the flasher self-cancelling system should become inoperative, proceed as follows:

1. Pull off the 6-pin connector from the flasher cancelling unit, and operate the handlebar switch, if the signal operates normally in L, R, and OFF, the following are in good condition.
 - a. Flasher relay
 - b. Bulb
 - c. Lighting circuit
 - d. Handlebar switch circuit
2. If (a) through (d) are in good condition, the following may be faulty:
 - a. Flasher cancelling unit.
 - b. Handlebar switch reset circuit.
 - c. Speedometer sensor circuit.

3. Pull of the 6-pin connector from the flasher cancelling unit, and connect a tester (ohms x 100 range) across the white/green and the black lead wires on the wire harness side. Turn the speedometer shaft. If the tester needle swing back and forth between 0 and ∞ , the speedometer sensor circuit is in good condition. If not, the sensor to wire harness may be inoperative.
4. Pull the 6-pin connector from the flasher cancelling unit. Check if there is continuity between the yellow/red lead wire on the wire harness side and the chassis.

Flasher switch OFF: ∞
Flasher switch L or R: 0 ohms

If the tester needle does not swing as indicated above, check the handlebar switch circuit and wire harness.

5. If no defect is found with the above three check-ups and the flasher cancelling system is still inoperative, replace the flasher cancelling unit.
6. If the signal flashes only when the handlebar switch lever is turned to L or R and it turns off immediately when the handlebar switch lever returns to center, replace the flasher cancelling unit.

Switches

Switches may be checked for continuity with a pocket tester on the "ohm x 1" position.

1. Main switch

Switch Position	Wire Color			
	R	Br	L	R/B
ON	○	○	○	○
OFF				
LOCK				
P (parking)	○		○	
ACC	○			○

2. "ENGINE STOP" Switch

Switch Position	Wire Color	
	R/W	R/W
OFF		
Run	○	○

3. "START" switch

Button Position	Wire Color			
	R/Y	L/B	L/W	B
OFF	○	○		
PUSH			○	○

4. "LIGHTS" (Dimmer) switch

Switch Position	Wire Color		
	Y	L/B	G
HI	○	○	
LO		○	○

5. "TURN" switch

Switch Position	Wire Color				
	Ch	Br/W	Dg	Y/R	B
L	○	○		○	○
L → N	○	○			
N → Push					
R → N		○	○		
R		○	○	○	○

6. "HORN" Switch

Button Position	Wire Color	
	P	B
PUSH	○	○
OFF		

ELECTRICAL

Model	XVZ12L [XVZ12DL]
Voltage:	12V
Ignition System: Ignition Timing (B.T.D.C.) Advancer Type	5° at 1,000 r/min Electrical, vacuum
T.C.I.:	
Pickup Coil Resistance (Color)	110Ω ± 15% at 20°C (68°F) (Orange – Black), (Orange – Gray) (Orange – White/Green), (Orange – White/Red)
T.C.I. Unit-Model/Manufacturer	T1D14-17/HITACHI
Ignition Coil:	
Model/Manufacturer	CM11-61/HITACHI
Primary Winding Resistance	2.7Ω ± 10% at 20°C (68°F)
Secondary Winding Resistance	13.2 kΩ ± 20% at 20°C (68°F)
Charging System/Type:	A.C. magneto generator
A.C. Generator:	
Model/Manufacturer	F-X736/HITACHI
Nominal Output	14.5V, 30A at 5,000 r/min
Stator Coil Resistance (Color)	0.42Ω ± 15% at 20°C (68°F) (White – White)

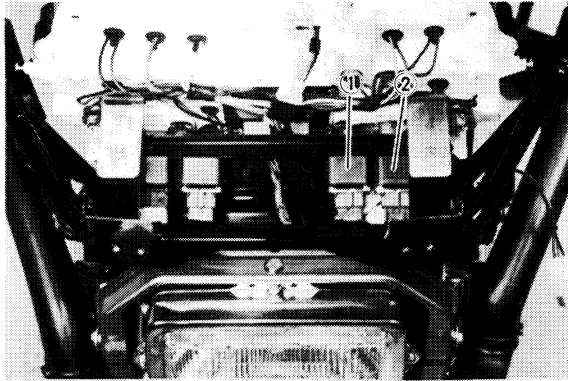
Model	XVZ12L [XVZ12DL]
Voltage Regulator: Type Model/Manufacturer No Load Regulated Voltage	Short control SH545-12/SHINDENGEN 14 ~ 15V
Rectifier: Model/Manufacturer Capacity Withstand Voltage	SH545-12/SHINDENGEN 26A 200V
Battery: Capacity Specific Gravity	12V, 20 AH 1.280
Electric Starter System: Type Starter Motor: Model/Manufacturer ID. Number Out put Brush-Overall Length < Limit > Spring Pressure Commutator Dia. < Wear Limit > Mica Undercut Starter Switch Model/Manufacturer Amperage Rating Coil Winding Resistance	Constant mesh type SM-229C/MITSUBA SM-229C 0.6 kW 12.5 mm (0.492 in) 4.5 mm (0.177 in) 560 ~ 680 g (19.751 ~ 23.984 oz) 28 mm (1.1 in) 27 mm (1.06 in) 0.5 mm (0.0197 in) I26-22011-D000/HONDALOCK 150A 3.5Ω ± 10% at 20°C (68°F)
Horn: Type/Quantity Model/Manufacturer Maximum Amperage	Plain type x 2 CF3-12/NIKKO 3.0A
Flasher Relay: Type Model/Manufacturer Self Cancelling Device Flasher Frequency Wattage	Semi transistor type FX257N/NIPPONDENSO Yes. 75 ~ 95 cycle/min 27W x 2 + 3.4W
Hazard Flasher Relay: Type Model/Manufacturer Flasher Frequency Wattage	Heat plate type FX257N/NIPPONDENSO 68 ~ 92 cycle/min 27W x 4 + 3.4W
Self Cancelling Unit: Model/Manufacturer	FX257N/NIPPONDENSO
Reserve Lighting Unit: Model/Manufacturer	337-81901/KOITO
Oil Level Switch: Model/Manufacturer	10L/NIPPONDENSO
Fuel gauge: Model/Manufacturer Sender Unit Resistance Full Empty	26H/NIPPONSEIKI 40.3Ω ± 10% at 20°C (68°F) 310Ω or more ± 12% at 20°C (68°F)

Model	XVZ12L [XVZ12DL]
Starting Circuit Cut off Relay: Model/Manufacturer Coil Winding Resistance Diode	FX257N/NIPPONDENSO 225Ω ± 10% at 20°C (68°F) No.
Side Stand Relay: Model/Manufacturer Coil Winding Resistance Diode	G2MW-1121T-010-Y4/TATEISHI 100Ω ± 10% at 20°C (68°F) No.
Fuel Pump Control Unit: Model/Manufacturer	G8D-02Y/TATEISHI
Electric Fan: Model/Manufacturer	26H/NIPPONDENSO
Fan Motor Relay: Model/Manufacturer Coil Winding Resistance	G2MW-1121T-100-Y7/TATEISHI 100Ω ± 10% at 20°C (68°F)
Thermostatic Switch: Model/Manufacturer	11H/NIPPONDENSO
Thermo-Unit: Model/Manufacturer	11M/NIPPONSEIKI
Circuit Breaker: Type Amperage for Individual Circuit/Quantity	Fuse Main 40A x 1 Headlight 15A x 1 Signal 15A x 1 Ignition 15A x 1 Taillight 10A x 1 Accessories 10A x 1 Reserve 15A x 1 10A x 1 5A x 1

SIDESTAND RELAY AND FUEL PUMP/ EMERGENCY CUT-OFF RELAY

Inspection

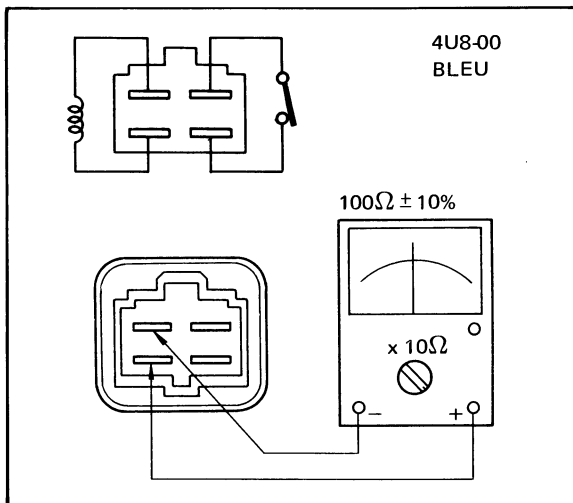
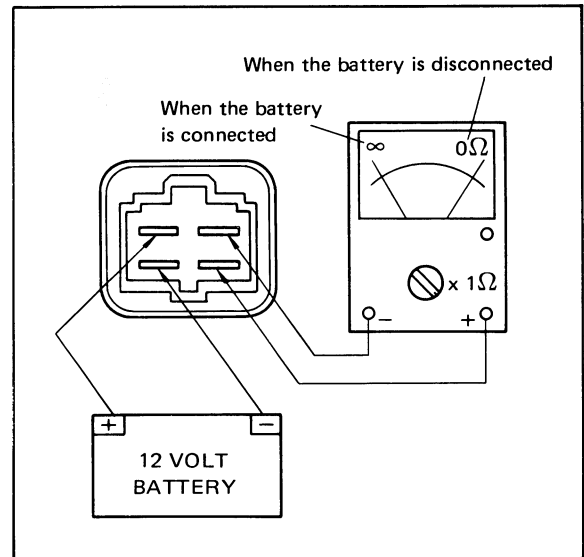
1. Remove the required fairing.
2. Disconnect the connector and remove the sidestand relay and or the fuel pump/emergency cut-off relay.



1. Sidestand relay 2. Fuel pump & Emergency cut-off relay

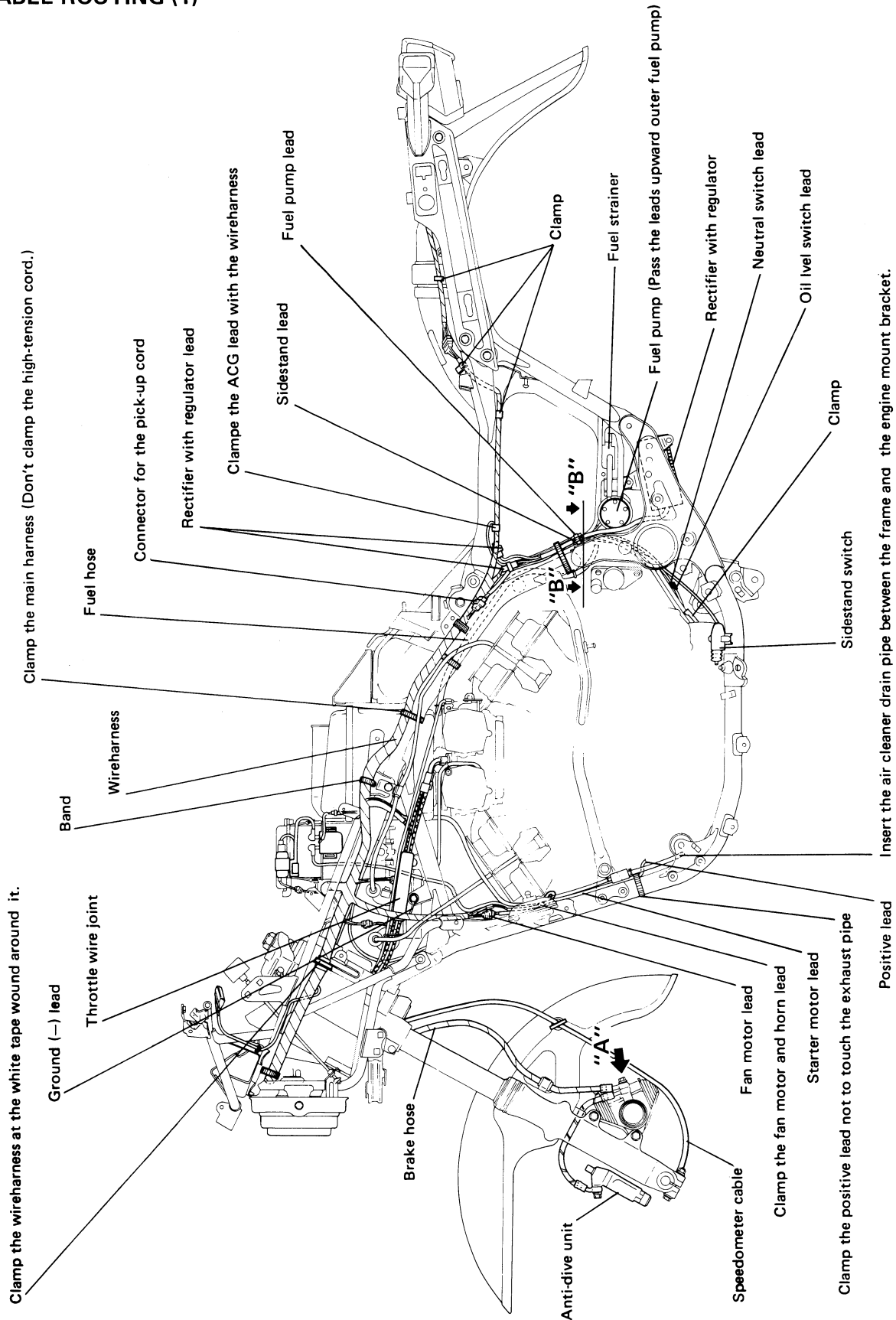
3. Check the resistance of the relay coil windings with the pocket tester. If the resistance is not within specification, replace the relay(s).

4. Check the relay function with a 12 volt battery and the pocket tester. Connect the leads as shown in the illustration. If the resistance readings do not equal those shown in the illustration, replace the relay(s).

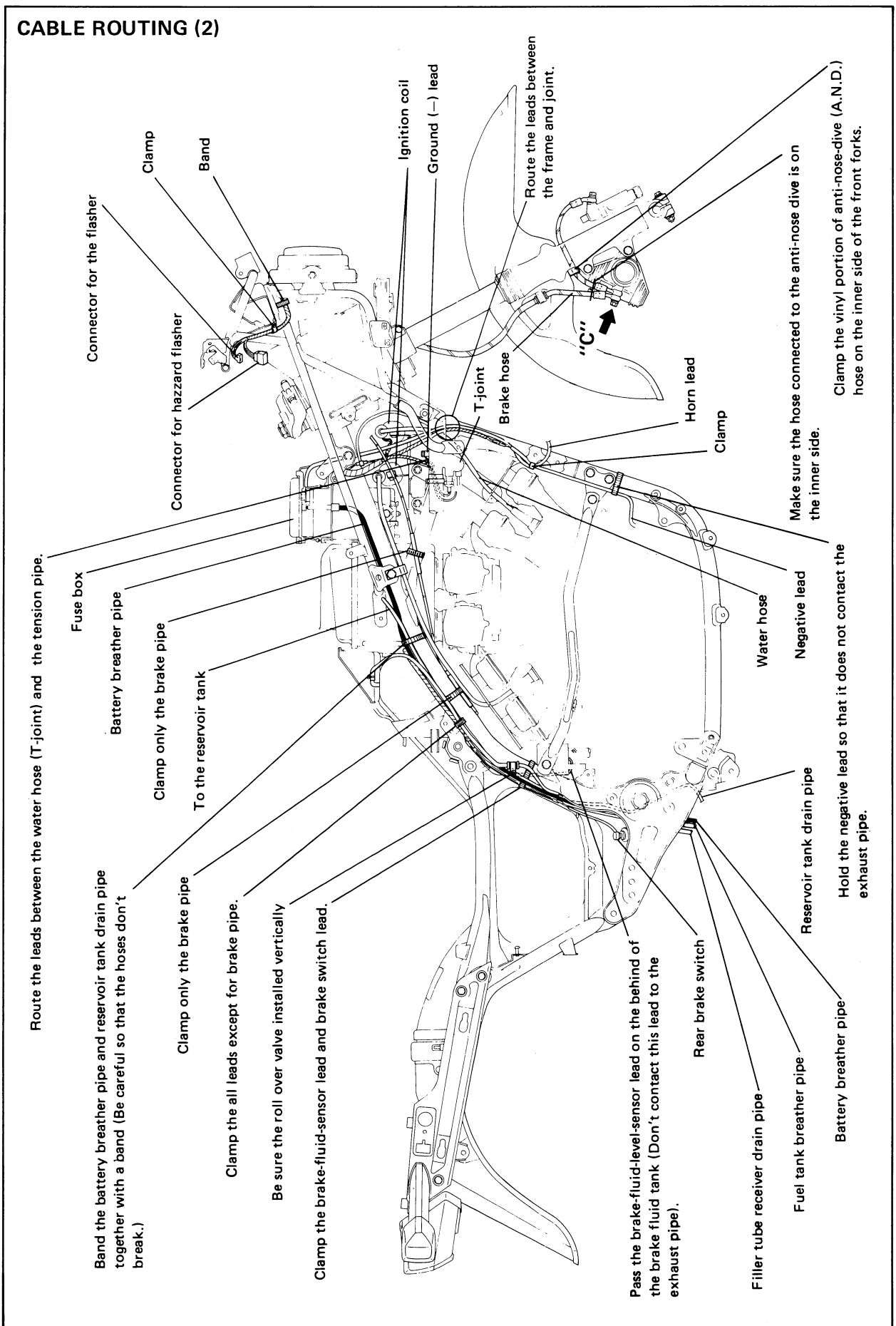


CABLE ROUTING FOR XVZ12L

CABLE ROUTING (1)



CABLE ROUTING (2)



Route the leads between the water hose (T-joint) and the tension pipe.

Fuse box

Band the battery breather pipe and reservoir tank drain pipe together with a band (Be careful so that the hoses don't break.)

Battery breather pipe

Clamp only the brake pipe

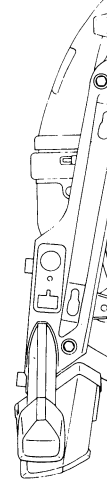
To the reservoir tank

Clamp only the brake pipe

Clamp the all leads except for brake pipe.

Be sure the roll over valve installed vertically

Clamp the brake-fluid-sensor lead and brake switch lead.



Pass the brake-fluid-level-sensor lead on the behind of the brake fluid tank (Don't contact this lead to the exhaust pipe).

Rear brake switch

Filler tube receiver drain pipe

Fuel tank breather pipe

Battery breather pipe

Reservoir tank drain pipe

Hold the negative lead so that it does not contact the exhaust pipe.

Water hose

Negative lead

Connector for the flasher

Clamp

Band

Connector for hazard flasher

Ignition coil

Ground (-) lead

Route the leads between the frame and joint.

T-joint

Brake hose

"C"

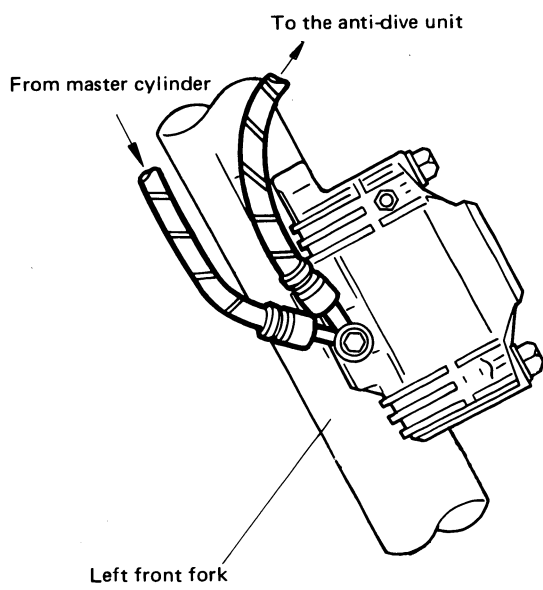
Horn lead

Clamp

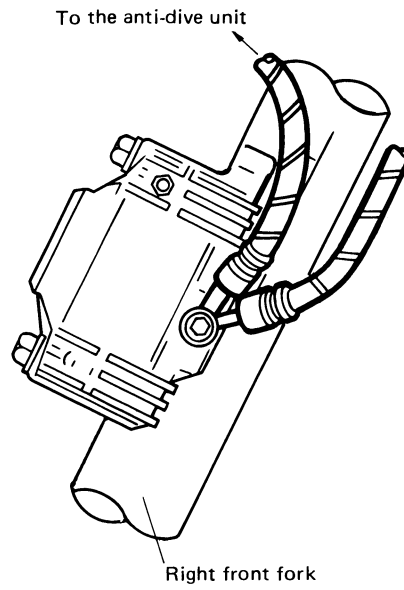
Make sure the hose connected to the anti-nose dive is on the inner side.

Clamp the vinyl portion of anti-nose-dive (A.N.D.) hose on the inner side of the front forks.

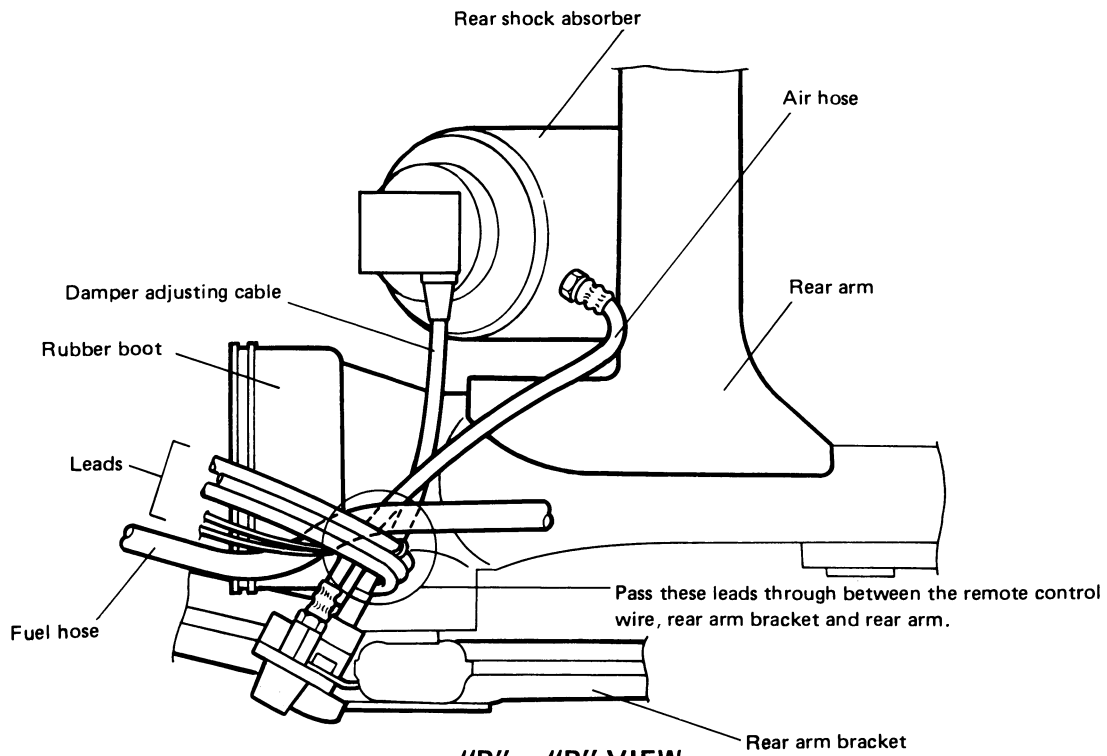
CABLE ROUTING (3)



"A" VIEW



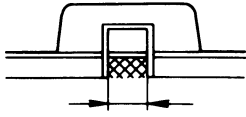
"C" VIEW



"B" - "B" VIEW
(CABLE ROUTING (1))

CABLE ROUTING (4)

FRONT VIEW



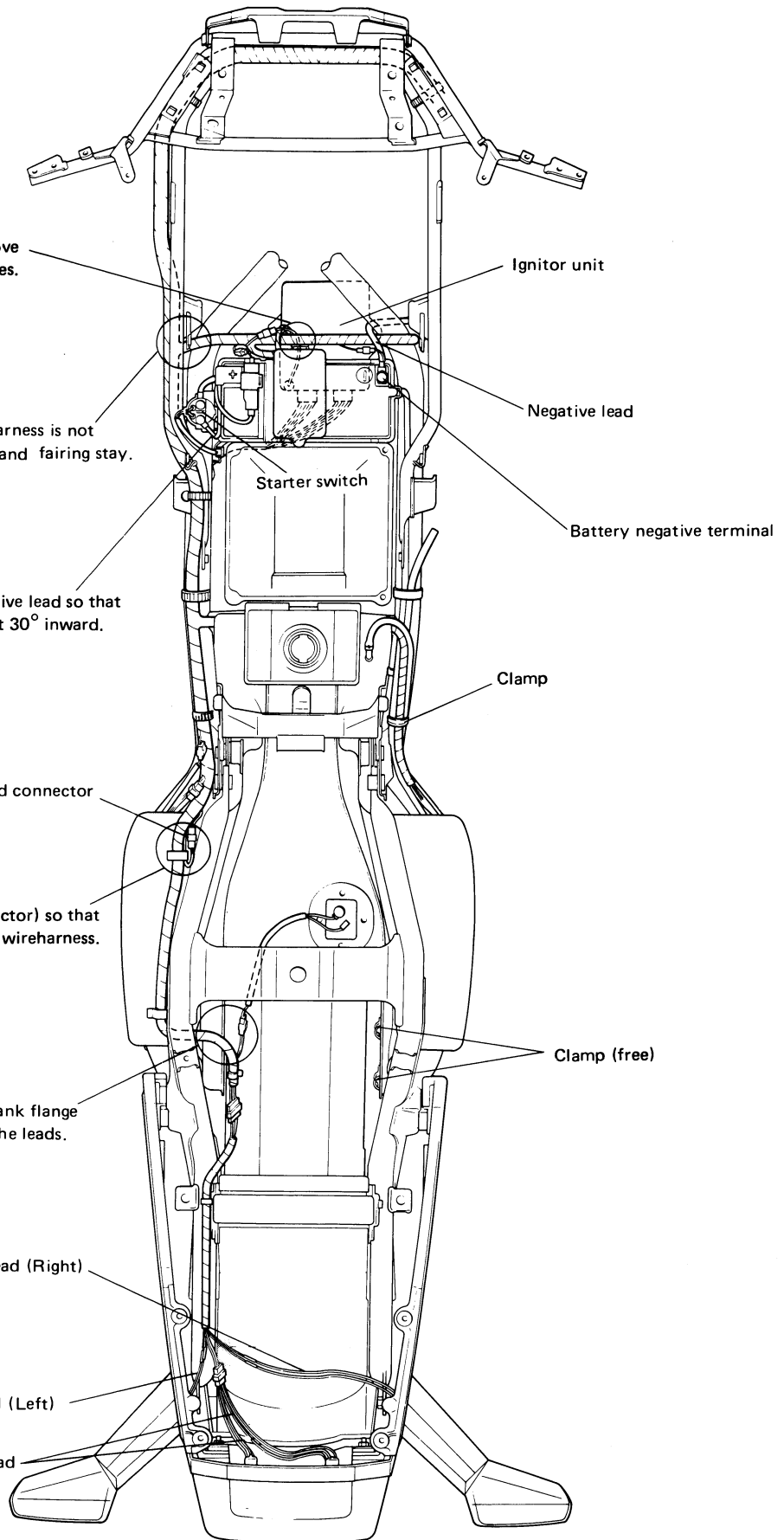
Pass the lead through the groove not to be bound between plates.

Use care so that harness is not pinched by frame and fairing stay.

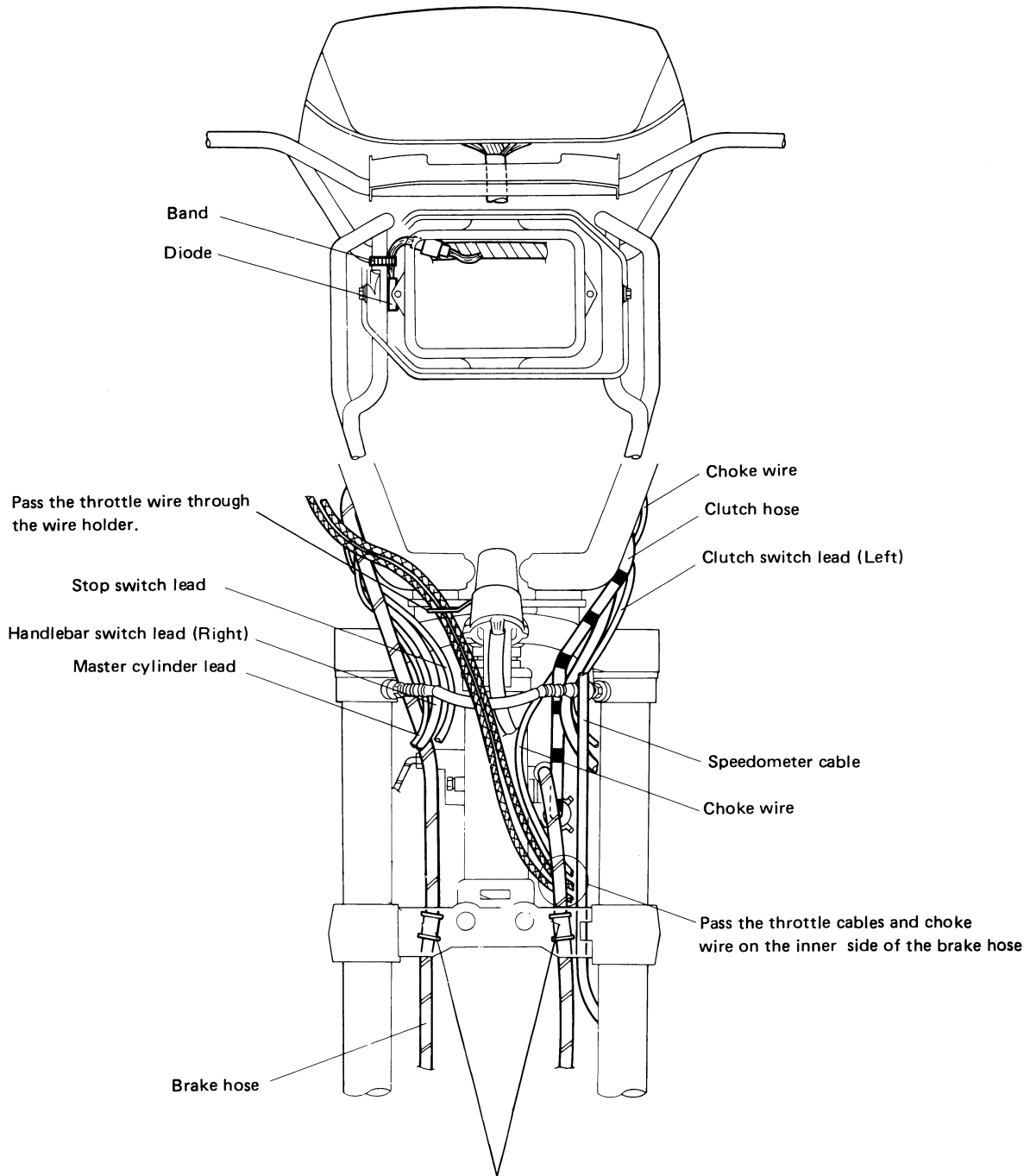
Install the positive lead so that it is tilted about 30° inward.

Clamp the ACG lead (connector) so that it is on the inner side of the wireharness.

Pay attention to the fuel tank flange so that it may not touch the leads.

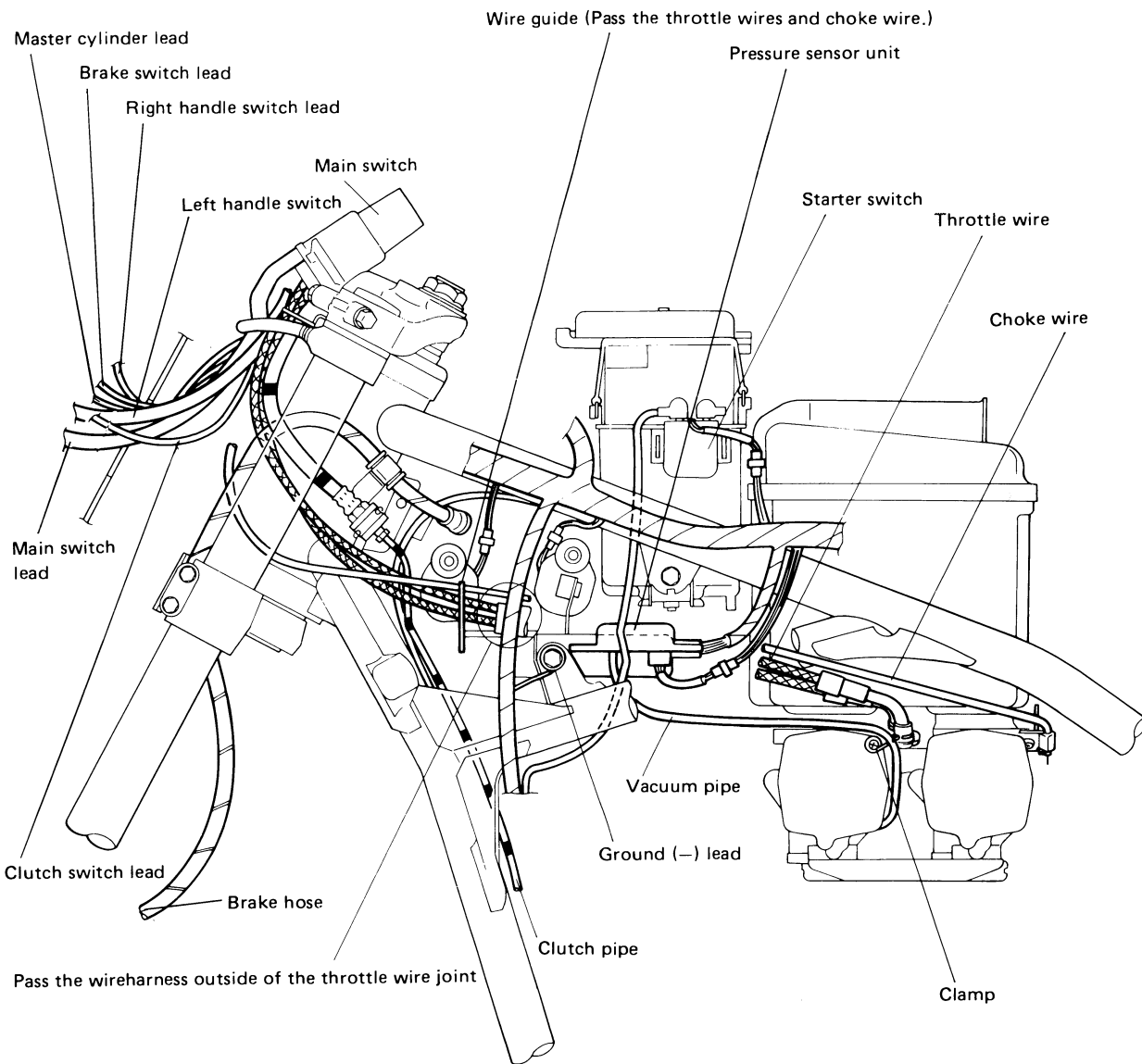


CABLE ROUTING (5)

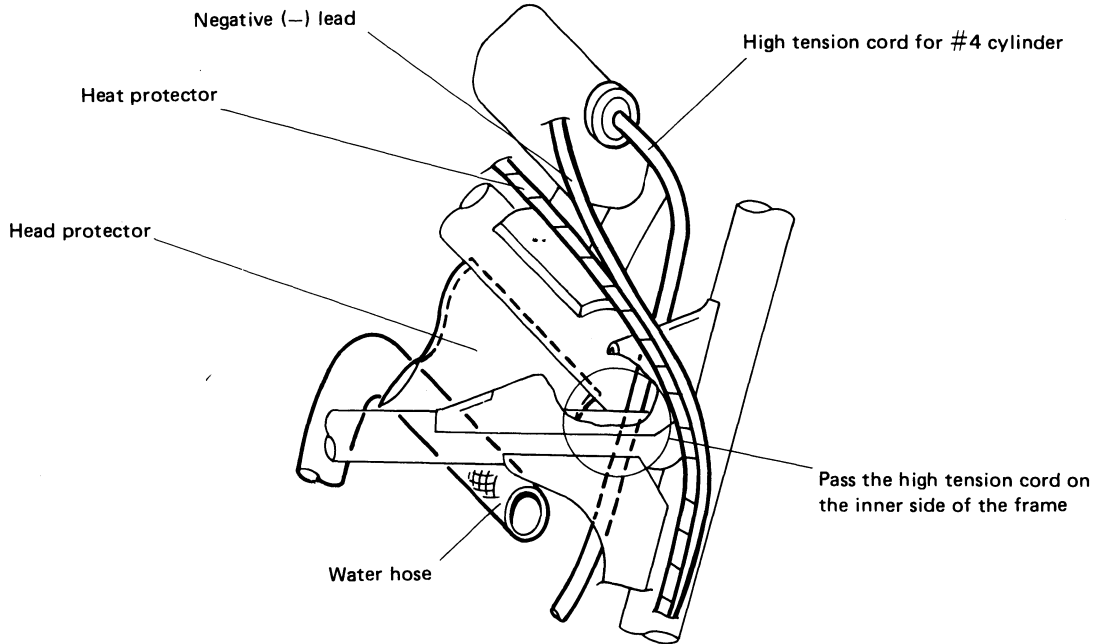


Clamp the brake hose on both ends of brake hose holder. Rout the speedometer cable on the outer side (between hose holder and left front fork). The left side brake hose.

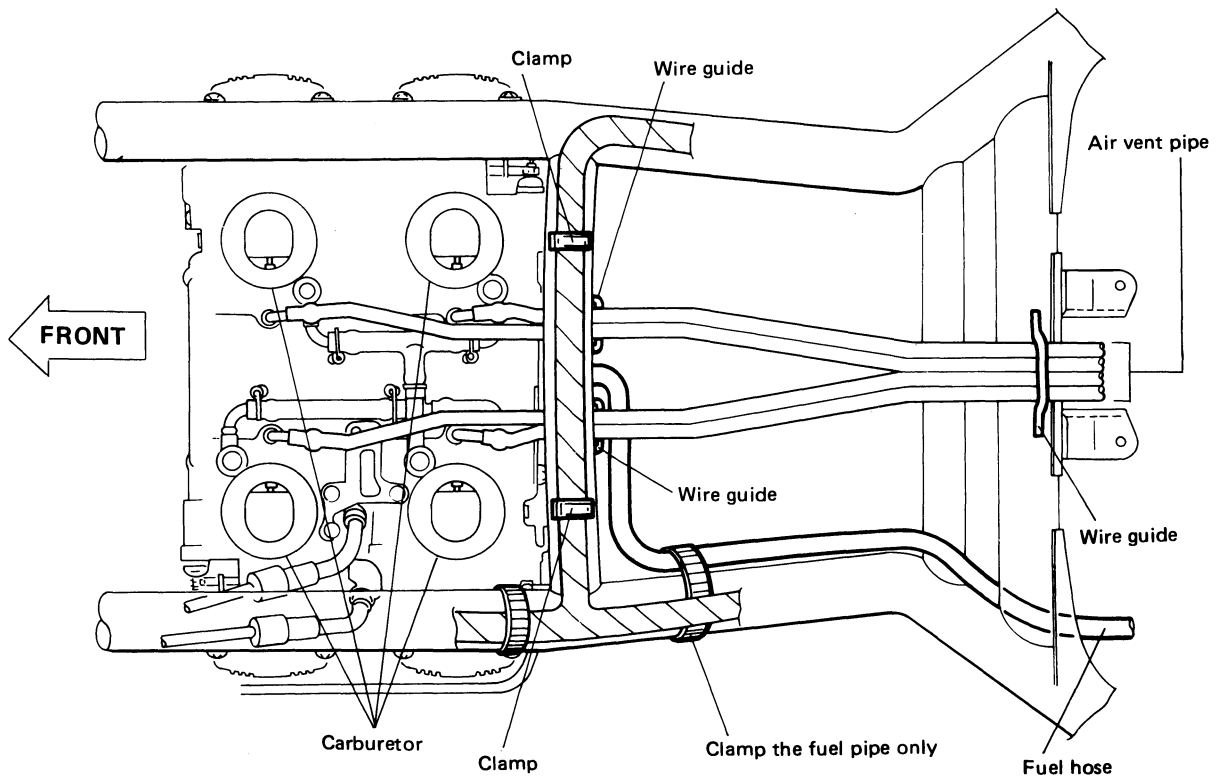
CABLE ROUTING (6)



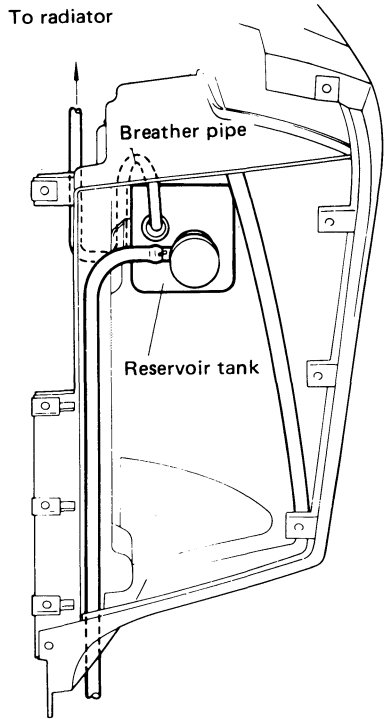
CABLE ROUTING (7)



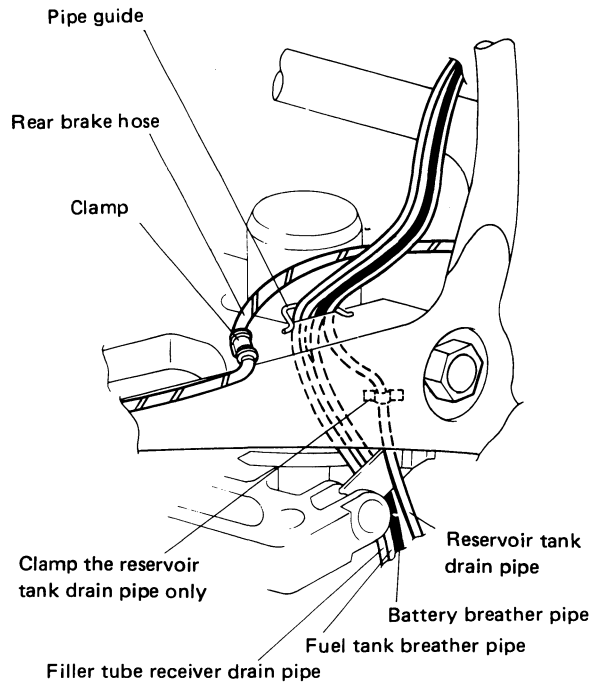
HIGHTENSION CORD ROUTING FOR FRONT RIGHT SIDE



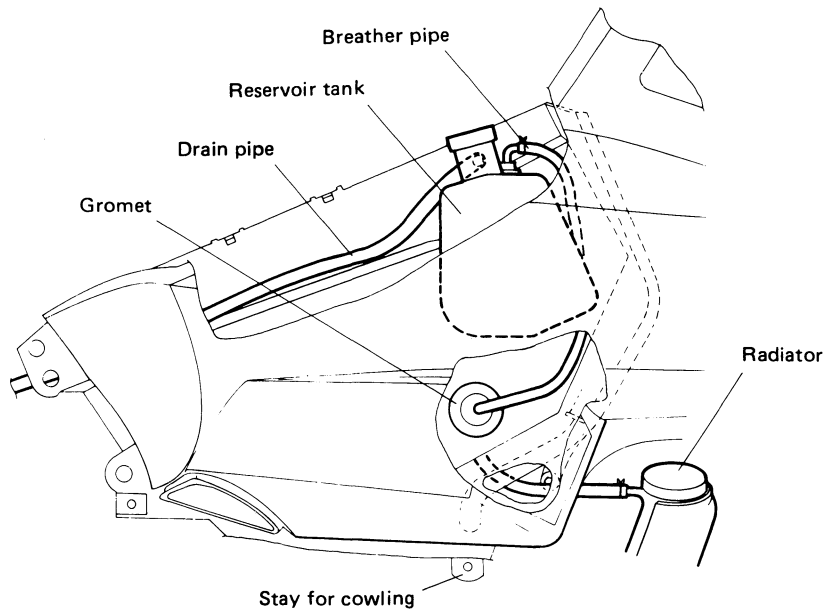
CABLE ROUTING (8)



FRONT RIGHT SIDE TOP VIEW



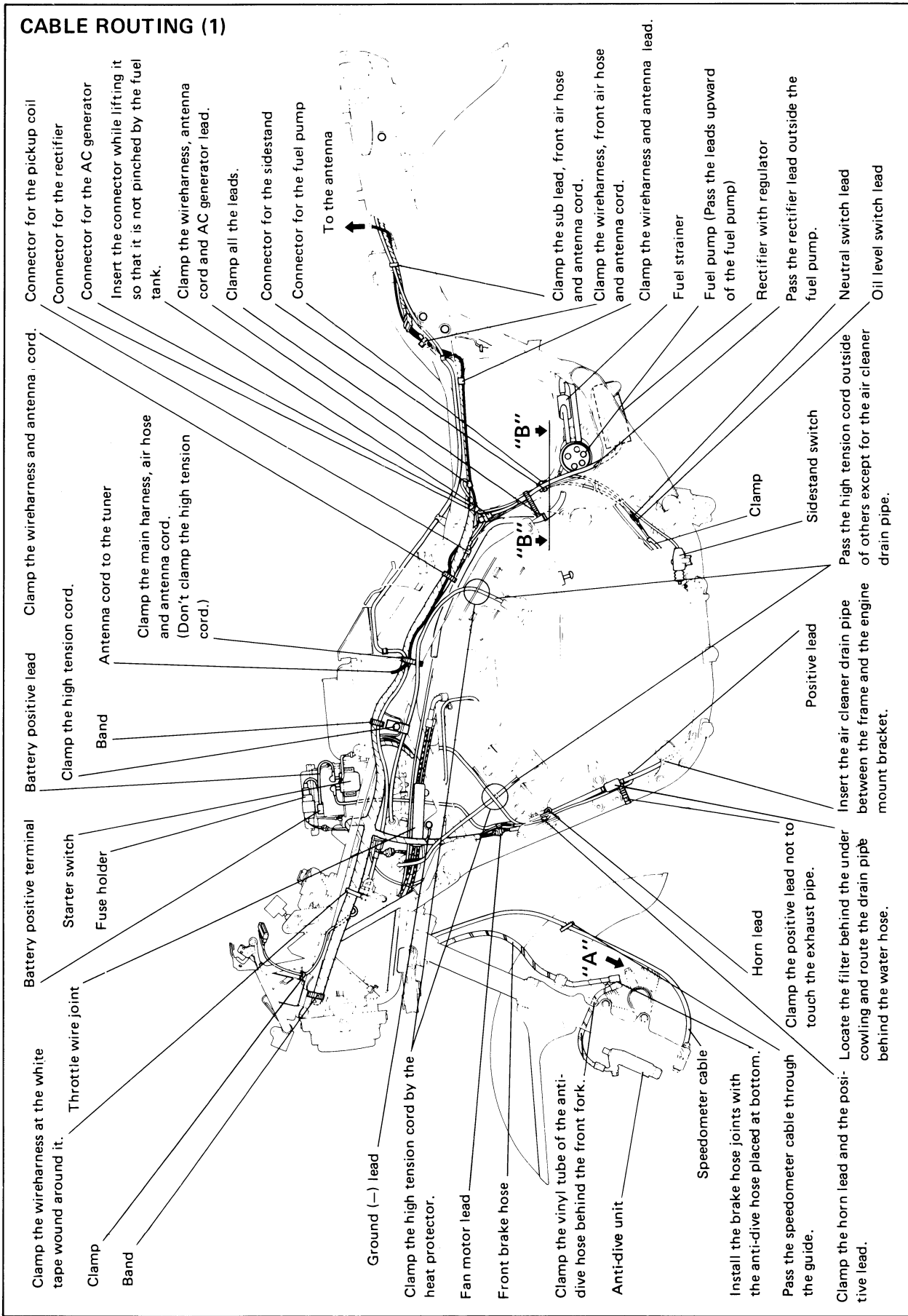
PIPE ROUTING



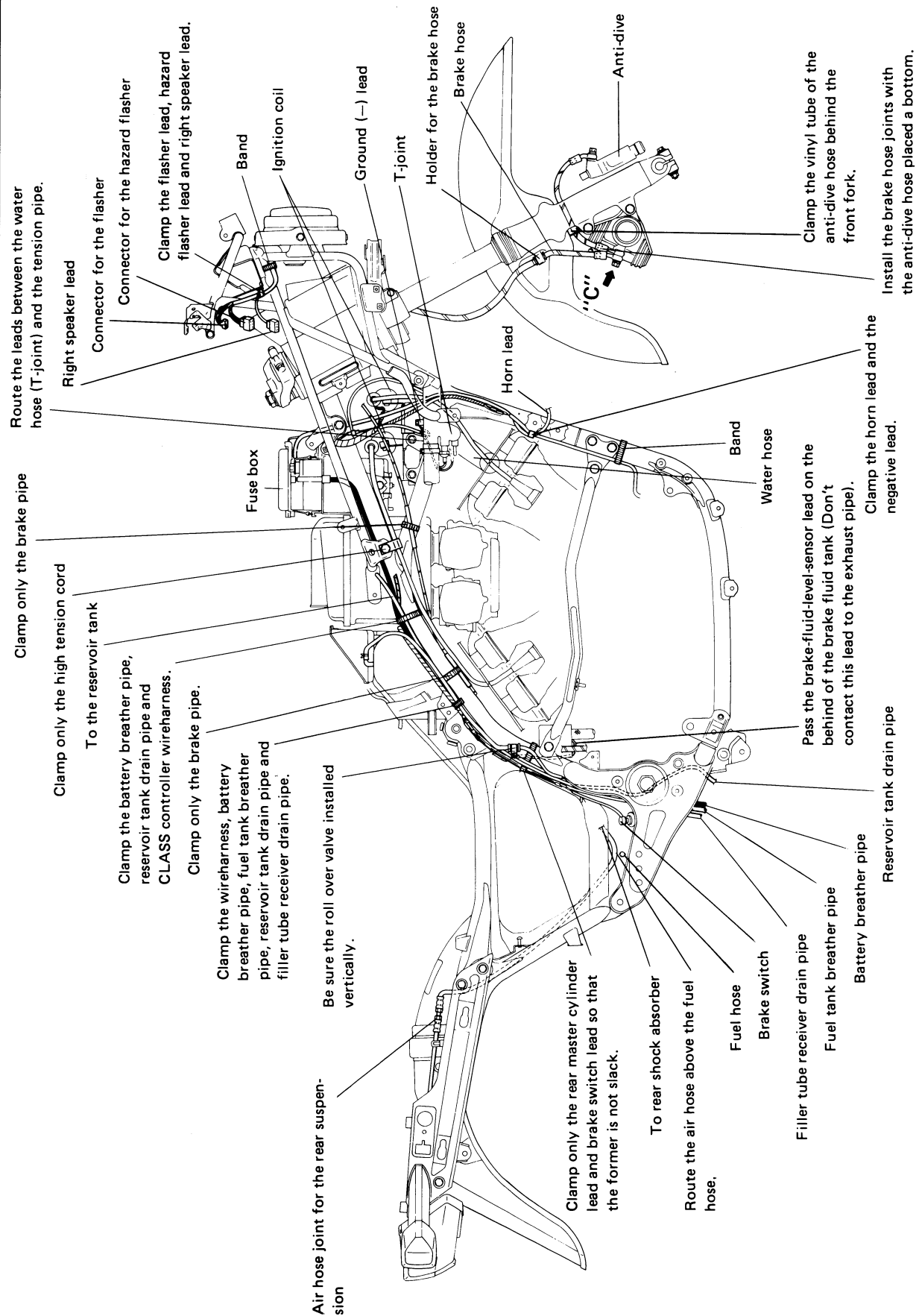
RESERVOIR TANK DRAIN PIPE AND BREATHER PIPE ROUTING

CABLE ROUTING FOR XVZ12DL

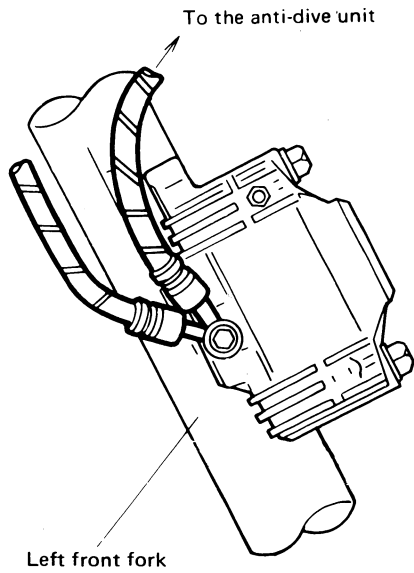
CABLE ROUTING (1)



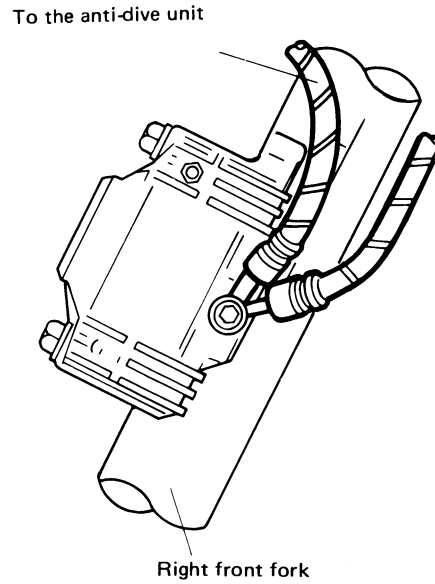
CABLE ROUTING (2)



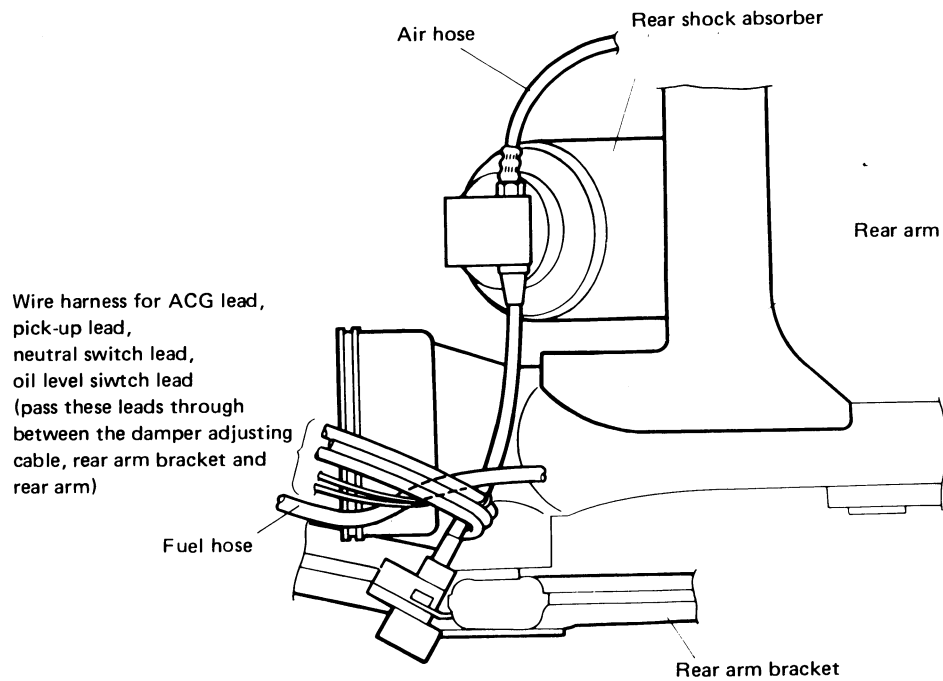
CABLE ROUTING (3)



"A" VIEW (CABLE ROUTING (1))

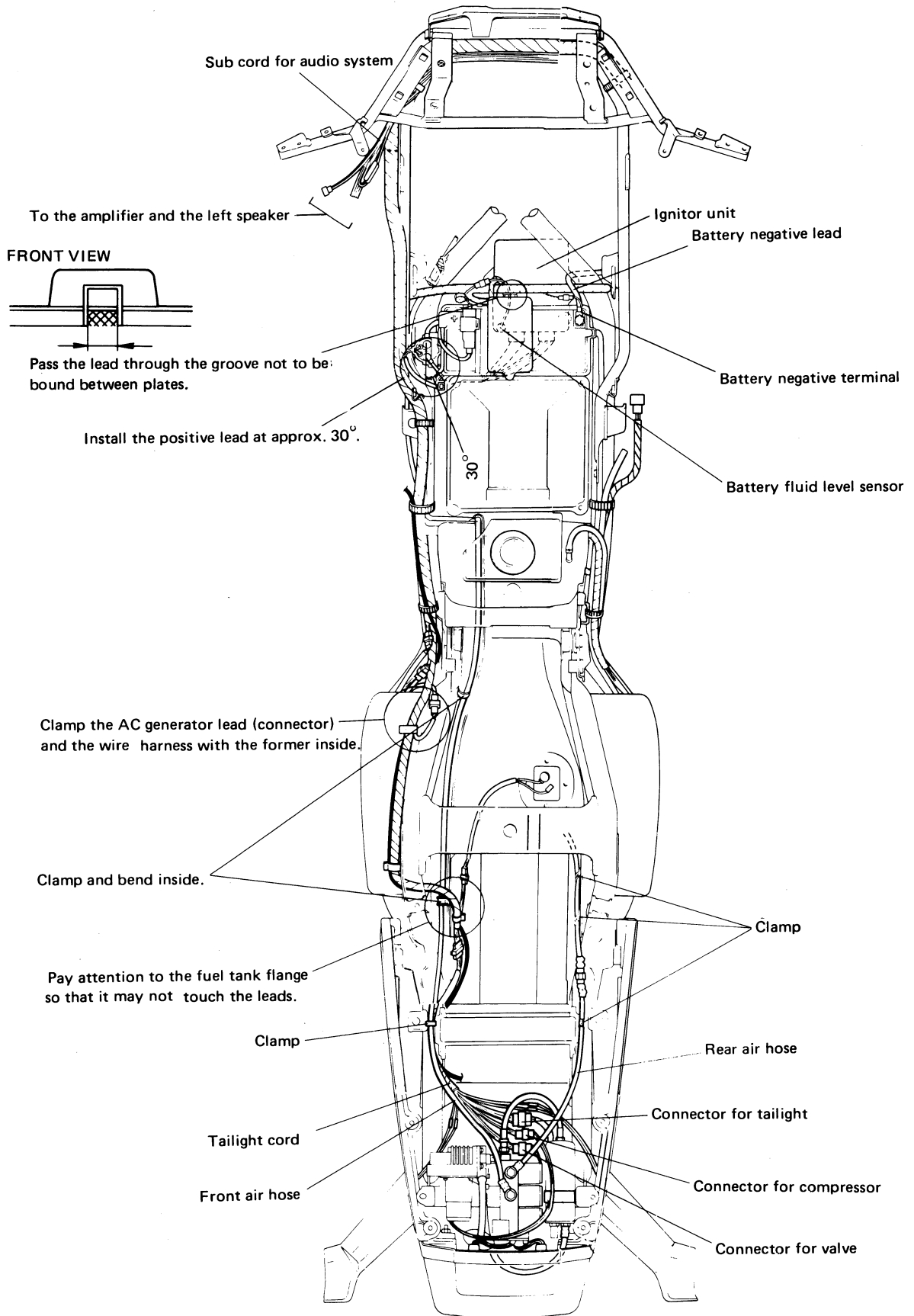


"C" VIEW (CABLE ROUTING (2))

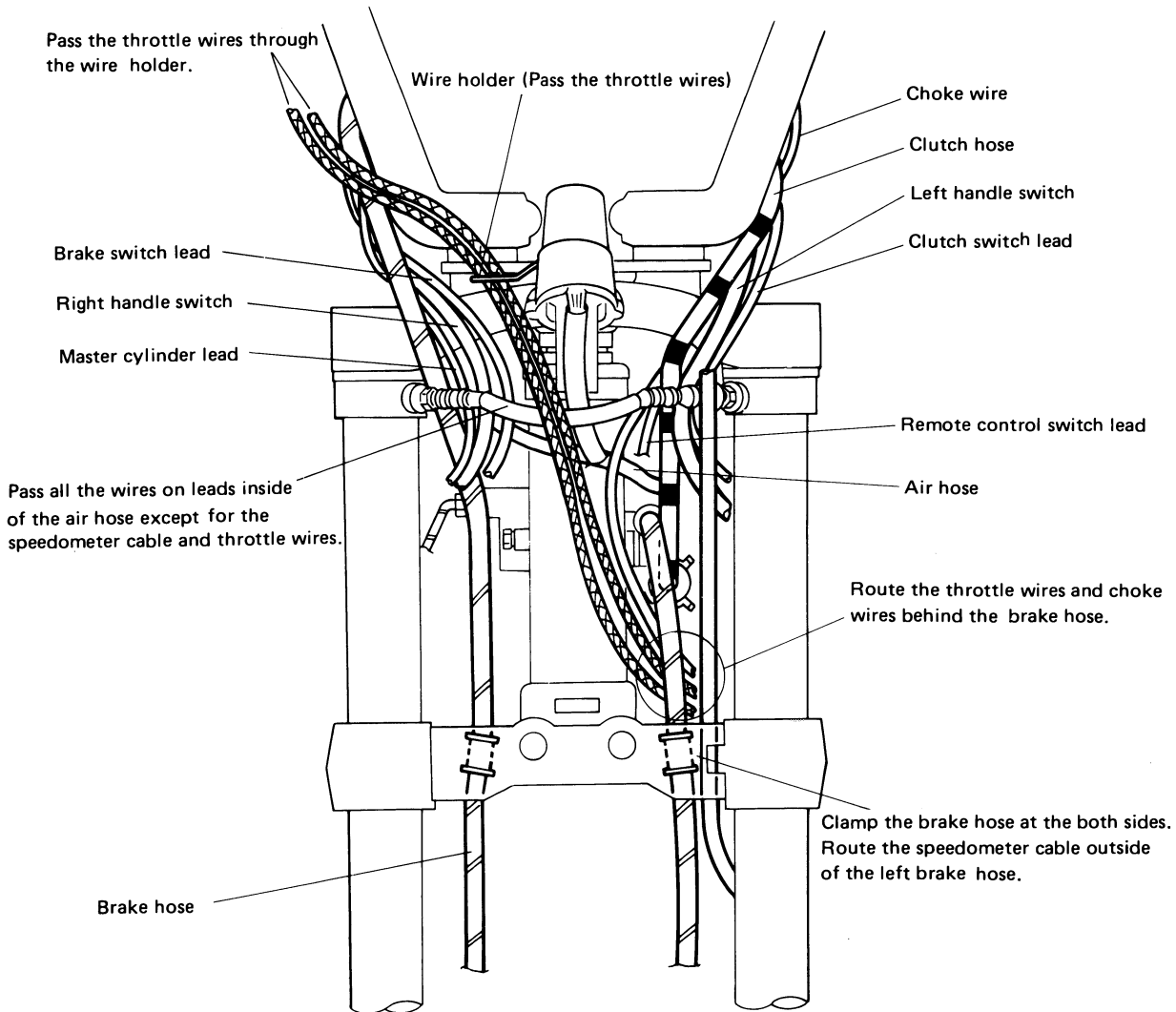
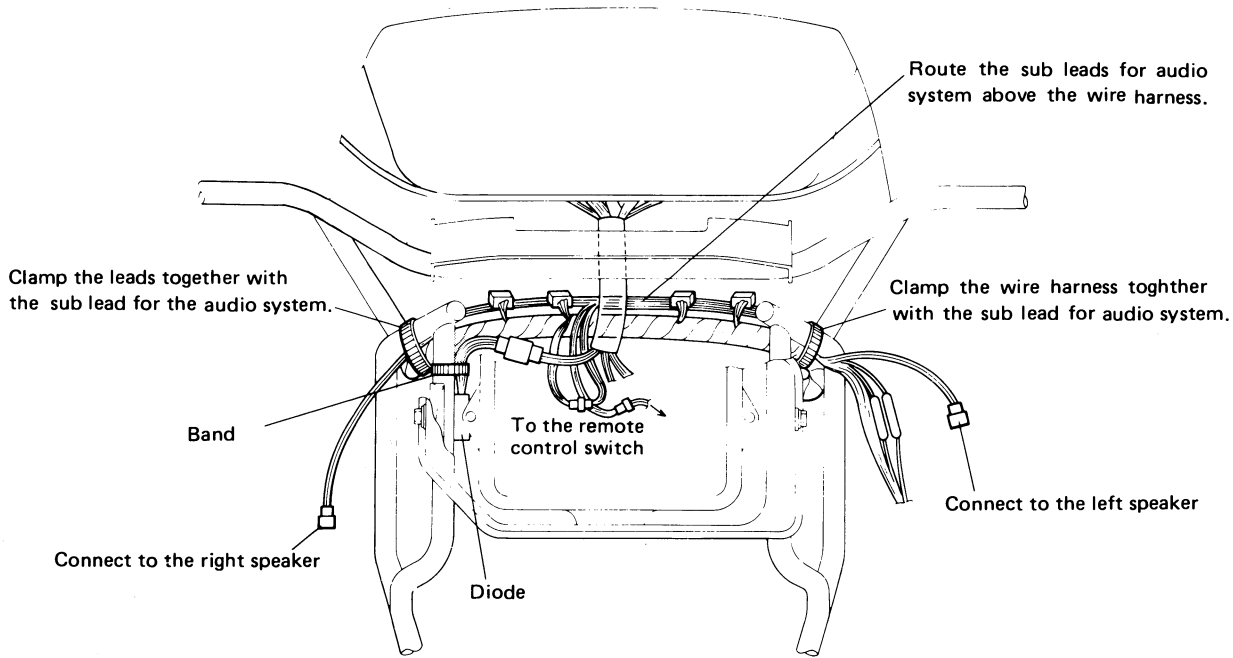


"B" - "B" VIEW (CABLE ROUTING (1))

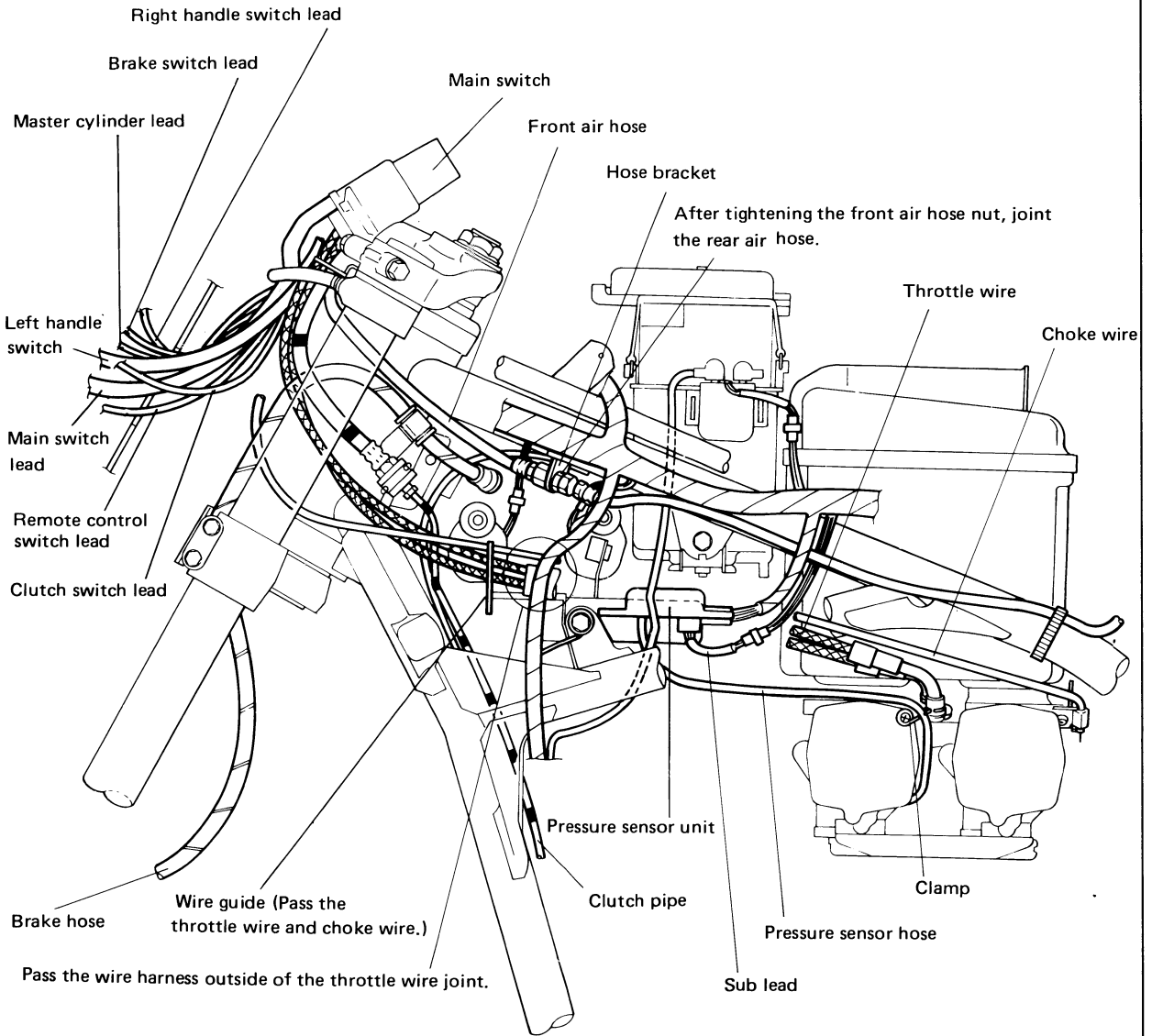
CABLE ROUTING (4)



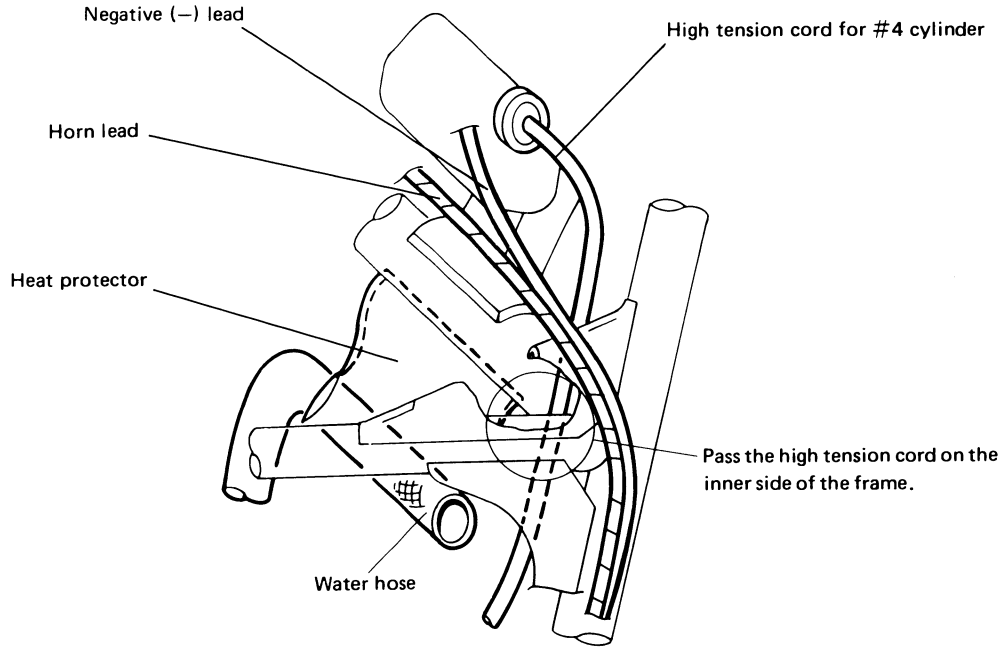
CABLE ROUTING (5)



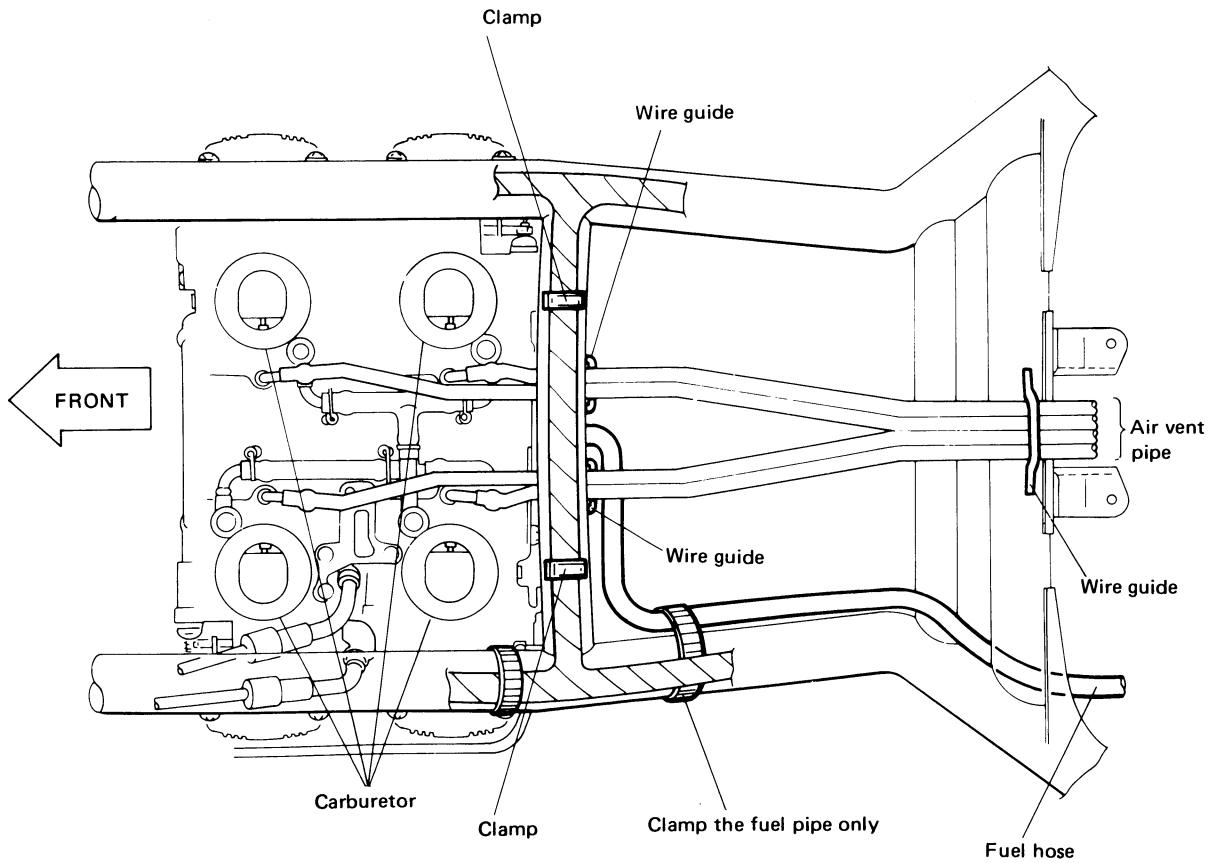
CABLE ROUTING (6)



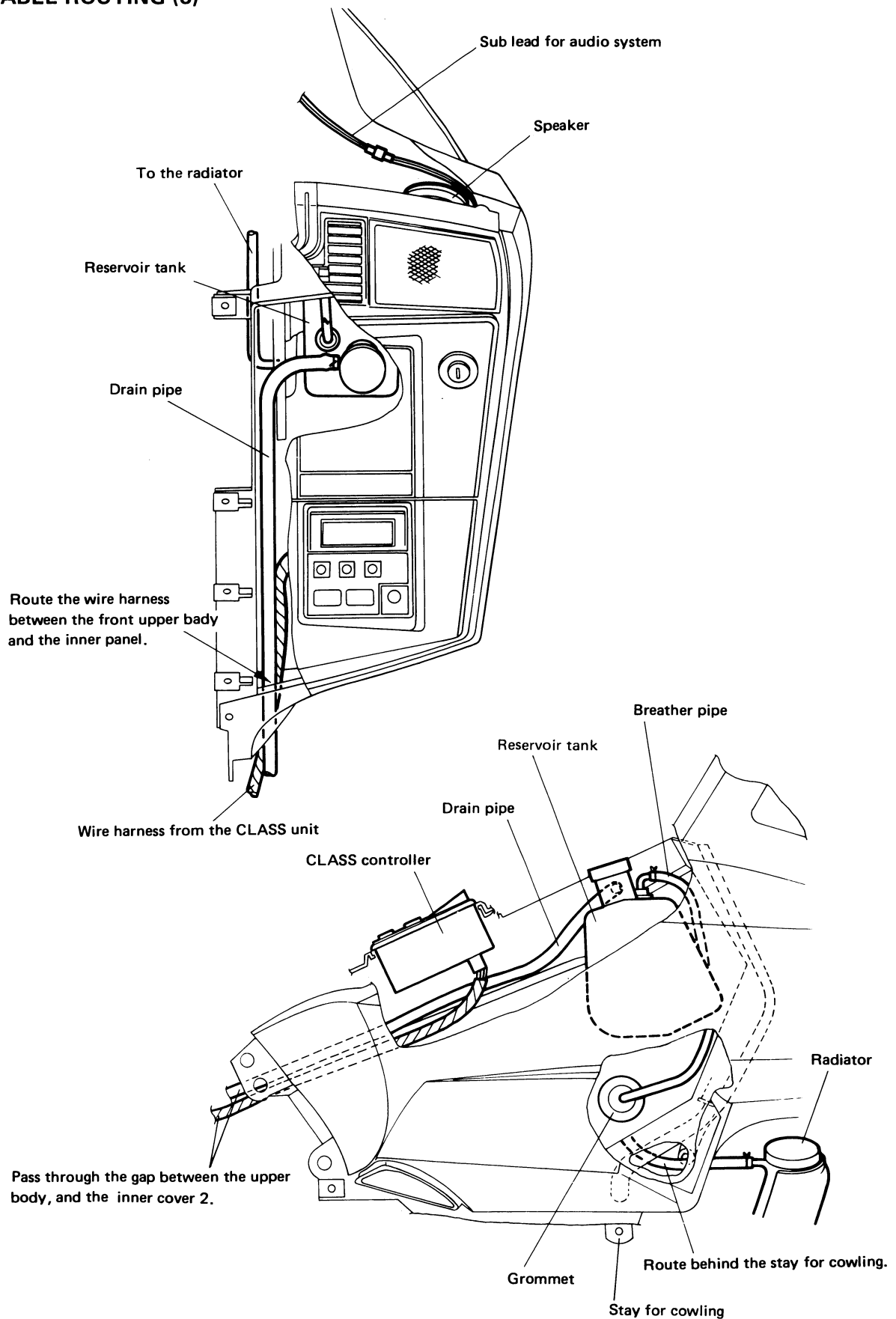
CABLE ROUTING (7)



HIGHTENSION CORD ROUTING FOR FRONT RIGHT SIDE

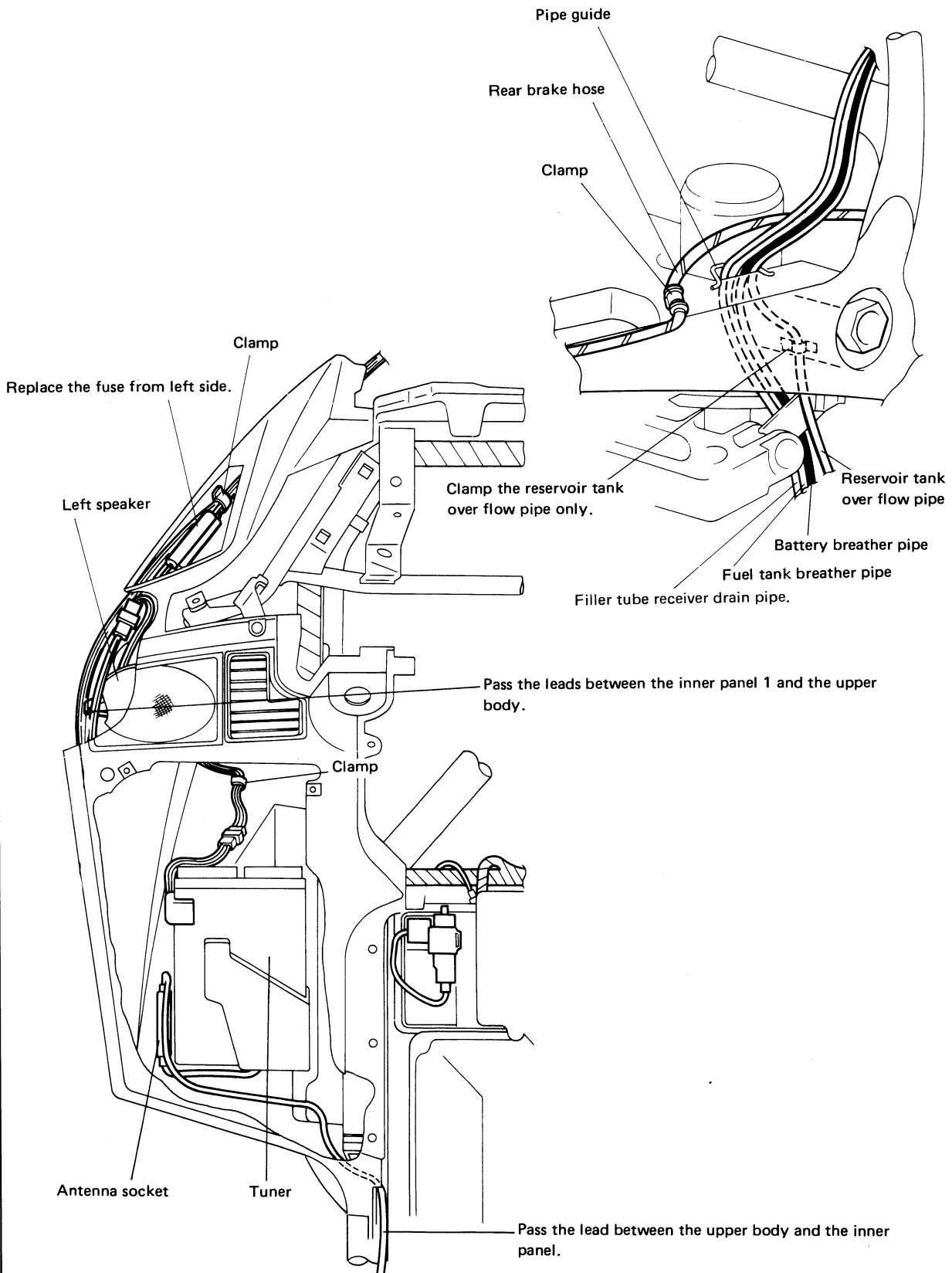


CABLE ROUTING (8)



CABLE ROUTING (9)

PIPE ROUTING



CABLE ROUTING (10)

