

PARTS CATALOGUE
MODEL YEAR 1999
XVZ13TFL (4XY1) U49
XVZ13TFLC (4XY2) CALIFORNIA

COLOR CODE	COLOR NAME	ABBREVIATION
680	YELLOWISH GRAY METALLIC 5	YNM5
434	VERY DARK MAGENTA COCKTAIL 1	VDMC1

OWNERS: LIT-11626-12-60
ASSY: LIT-11666-12-60
SERVICE: LIT-11616-12-60

FOREWORD

-INTRODUCTION- To The Yamaha Parts Fiche

This parts fiche lists parts and sub-assemblies for the XVZ13TFL/TFLC. When preparing a parts order, please refer to the most recently updated microfiche for this model.

THE YAMAHA PARTS FICHE

SYMBOLS

[]	Inactive, no longer available
U.R.	Use size (thickness) and/or number as required
U.N.	Use as many as you need
T	Number of teeth in a gear
V	Voltage for light bulbs
S	"S" type oil seal or "S" type circlip
SD,SO,SW	"SD", "SO", or "SW" type oil seal
E,R	"E" or "R" type circlip
F/No.	Frame No. (Applicable Machine No.)
L.M.	Locally made
O.L.	Obtain locally
AP	Alternate Part

SUPERSEDED PART NUMBERS

If part 'A' has been superseded by part 'B', the superseding part number "B" will appear in the part number listing with the superseded part number "A" appearing in parentheses immediately following the description.

EXAMPLE:

Ref. No.	Part No.	Description	Qty.
8	(Part 'B') 123-45678-00-00	(Part 'A') CYLINDER (111-12345-00-00)	1

A part that has been supersede to a kit may be identified by a 99999-00000-00 part number appearing in the part number column. The old superseded part number will appear in parentheses immediately following the description. Listed directly below the 99999 part number will be those parts making up the kit. The description of the parts making up the kit will be preceded by a small black dot (.) and the description will be indented one letter space.

EXAMPLE:

Ref. No.	Part No.	Description	Qty.
8	99999-12345-00	CYLINDER (111-12345-00-00)	1
	234-56789-00-00	• HEAD, CYLINDER	1

SIZES

Except for steel balls (ball sizes are indicated in inches), all parts sizes are indicated in millimeters as in the following examples:

Hose (Rubber or Vinyl)	Inside Diameter - Length
O-Ring	Section Area - Inside Diameter
Washer, Shim, Collar	Inside Diameter - Outside Diameter Thickness (Length)

ASSEMBLIES AND COMPONENT PARTS

Assemblies and their component parts, are identified by an indention of one letter space, and the description is preceded by a dot (.). If two main assemblies are listed, and have the same basic description (i.e.: left and right sides of the same assembly), one will immediately follow the other. If each of these main assemblies is made up of almost the same components, these component parts will be listed immediately under the second main assembly line and will be indicated, as noted above.

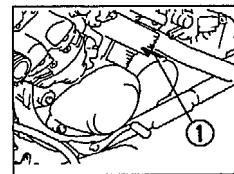
If the component is the same for both main assemblies, the quantity indicated will be the total required. If the component is not the same for both main assemblies, the quantity for each separate item will be listed separately.

EXAMPLE:

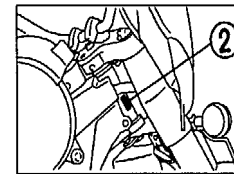
Description	Qty
CARBURETOR ASSY, LEFT	1
CARBURETOR ASSY, RIGHT	1
. JET, PILOT	2
. NOZZLE, MAIN	2
. LEVER, STARTER, LEFT	1
. LEVER, STARTER, RIGHT	1

APPLICABLE SERIAL NO.

(1) Engine Serial No.



(2) Frame Serial No.

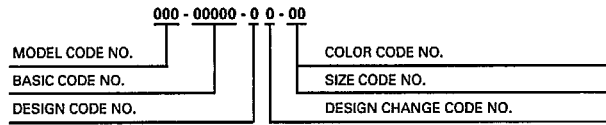


FOREWORD

THE YAMAHA PART NUMBER

The Yamaha part number consists of 12 digits. Each number represents a specific piece of information relating to a replacement part. The following is a guide for reading and interpreting the Yamaha part number.

BASIC PART NUMBER CONFIGURATION:



MODEL CODE NUMBER

FIRST THREE DIGITS . . . 000-00000-00-00

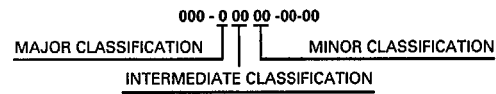
Every model in each Yamaha product line is assigned a model number to identify that particular model. All component parts are given the model code number relating to the model on which they were first used.

Example: 4DU-00000-00-00 identifies the XJ600SE.
3FA-00000-00-00 identifies the YFA1E.

BASIC CODE NUMBER

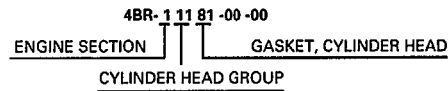
MIDDLE FIVE DIGITS . . . 000-00000-00-00

These "Middle Five Digits" indicate the type of part i.e., piston, rings, lower units, etc. The five digits are broken down as follows:



The "Major Classification" indicates the section to which the parts belong, i.e., engine, electrical etc. The "Intermediate" and "Minor Classifications" indicate more specific details.

Example:



DESIGN CODE NUMBER: 000-00000-00-00

The design code distinguishes like component parts from one another when specification differences are involved. For example, distinguishing a standard size piston ring from an oversized piston ring.

Example:

4BR-11610-0 0 0-00 Standard Piston Ring Set for XJ600SE
4BR-11610-0 2 0-00 Oversize Piston Ring Set for XJ600SE

DESIGN CHANGE CODE NUMBER: 000-00000-00-00

This code number is used to identify a difference between a new component part and old one when a new part is created by changing the old one.

Example: YFZ350E

2GU-11610-0 0 -00 PISTON RING SET, STD. - ORIGINAL
2GU-11610-0 1 -00 PISTON RING SET, STD. - FIRST DESIGN CHANGE

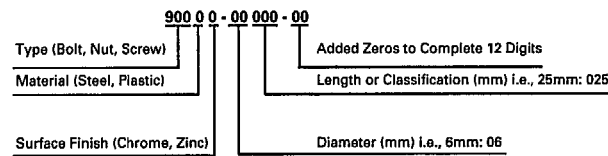
Only major changes to performance, durability, quality, appearance, cost or interchangeability will affect a part number change.

COLOR CODE & SIZE CODE NUMBER: 000-00000-00-00

When applicable, the last two digits of the part number identify:

1. Color Code: The painted color or type of plating or surface treatment used on certain parts.
2. Size Code: The last two digits are also used to show the size of parts (mm). Such as the thickness of shims or the size of pistons.

HARDWARE (Fastener) PART NUMBER CONFIGURATION:



TYPE:

A fastener part number always begins with the number "9" followed by either a 0, 1, 2, 3, 4, 5, 6, 7 or 8 designating one of eight major divisions within this group.

FOREWORD

Example:

- 9 0 | 000-00000-00 "0" designates various types.
- 9 1 | 000-00000-00 "1" designates bolts, cotter pins, etc.
- 9 2 | 000-00000-00 "2" designates screw, nuts, etc.
- 9 3 | 000-00000-00 "3" designates oil seals, o-rings, bearings, etc.
- 9 4 | 000-00000-00 "4" designates spark plugs.
- 9 5 | 000-00000-00 "5" designates bolts and nuts.
- 9 7 | 000-00000-00 "7" designates ISO bolts.
- 9 8 | 000-00000-00 "8" designates ISO screws and nuts.

The only major divisions which the mechanic should become familiar with are those related to the general hardware (nuts, bolts, and washers), since these are the most commonly used and most often replaced items. By knowing how to interpret the part number, the dimensions of a piece of hardware can be determined. This can be very helpful during major engine repair, and general parts replacement.

BOLT EXAMPLE:

91311 - 06 018 - 00

6mm outside diameter 18mm in length

EXCEPTION:

It is NOT possible to identify the LENGTH of bolts having a 901 prefix. Only the bolt diameter can be identified with this number.

NUT AND WASHER EXAMPLE:

95301 - 08600 - 00 NUT

8mm inside diameter

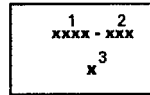
90201 - 25290 - 00 WASHER

25mm inside diameter

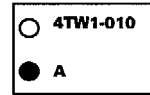
-MODEL LABEL-

A label called "Model Label" is affixed in the location as indicated in (3) below. When using this parts catalogue, please be sure to cross-reference the "model code - production code No." in the catalogue to the "model code - production code No." indicated on the Model Label affixed onto the product concerned.

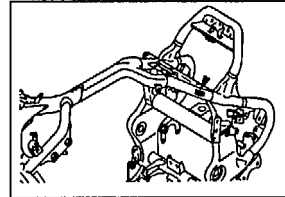
"MODEL LABEL" INDICATION



- 1 Model Type Code
- 2 Production Code No
- 3 Coloring Type



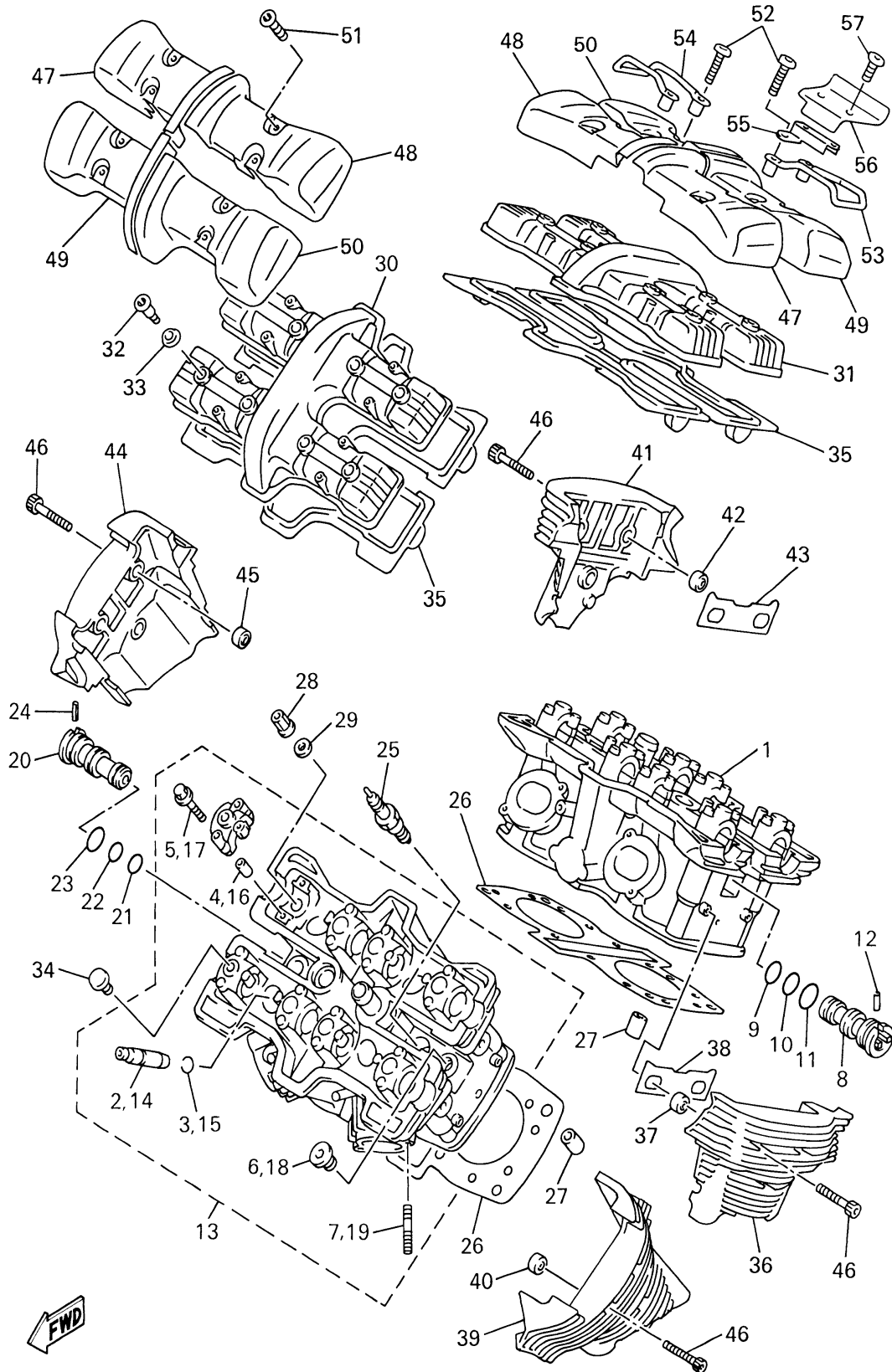
MODEL LABEL AFFIXING LOCATION



MODEL CODE - PRODUCTION CODE NUMBER OF MODEL LISTED IN THIS PARTS CATALOG

Model Code	Production Code No.	Country (destination)
4XY1	010	U49
4XY2	010	CALIFORNIA

CYLINDER HEAD



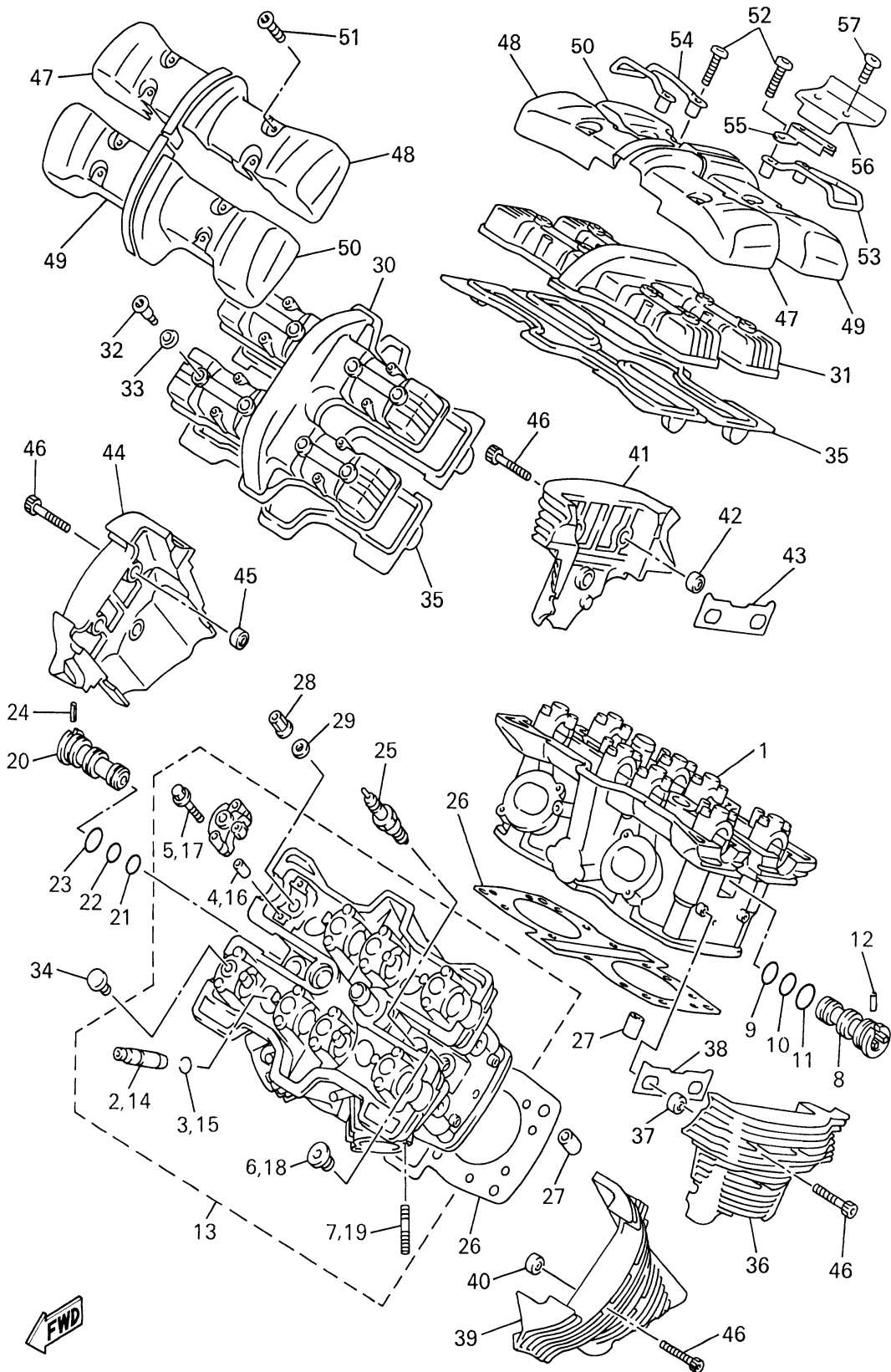
4XY1100-9010

XVZ13TFL_LC

Ref. No.	Part Number	Description	Qty	Remarks
1	4XY-11101-00-00	CYLINDER HEAD ASSEMBLY	1	
2	26H-11133-10-00	. GUIDE, INTAKE VALVE	8	
3	93440-12117-00	. CIRCLIP	8	
4	91808-16023-00	. PIN, DOWEL	16	
5	90105-06153-00	. BOLT, WASHER BASED	16	
6	90340-18101-00	. PLUG, STRAIGHT SCREW	3	
7	95617-08620-00	. BOLT, STUD	4	
8	26H-12469-01-00	JOINT 1	1	
9	93210-16629-00	O-RING	1	
10	93210-18322-00	O-RING	1	
11	93210-21631-00	O-RING	1	
12	90254-03008-00	PIN, SPRING	1	
13	4XY-11101-10-00	CYLINDER HEAD ASSEMBLY	1	
14	26H-11133-10-00	. GUIDE, INTAKE VALVE	8	
15	93440-12117-00	. CIRCLIP	8	
16	91808-16023-00	. PIN, DOWEL	16	
17	90105-06153-00	. BOLT, WASHER BASED	16	
18	90340-18101-00	. PLUG, STRAIGHT SCREW	3	
19	95617-08620-00	. BOLT, STUD	4	
20	26H-12469-01-00	JOINT 1	1	
21	93210-16629-00	O-RING	1	
22	93210-18322-00	O-RING	1	
23	93210-21631-00	O-RING	1	
24	90254-03008-00	PIN, SPRING	1	
25	94701-00241-00	PLUG, SPARK (NGK DPR8EA-9)	4	UR
26	1NL-11181-00-00	GASKET, CYLINDER HEAD 1	2	
27	99530-14016-00	PIN, DOWEL	4	
28	90179-10414-00	NUT	16	

CONTINUED ON NEXT FRAME ►

CYLINDER HEAD



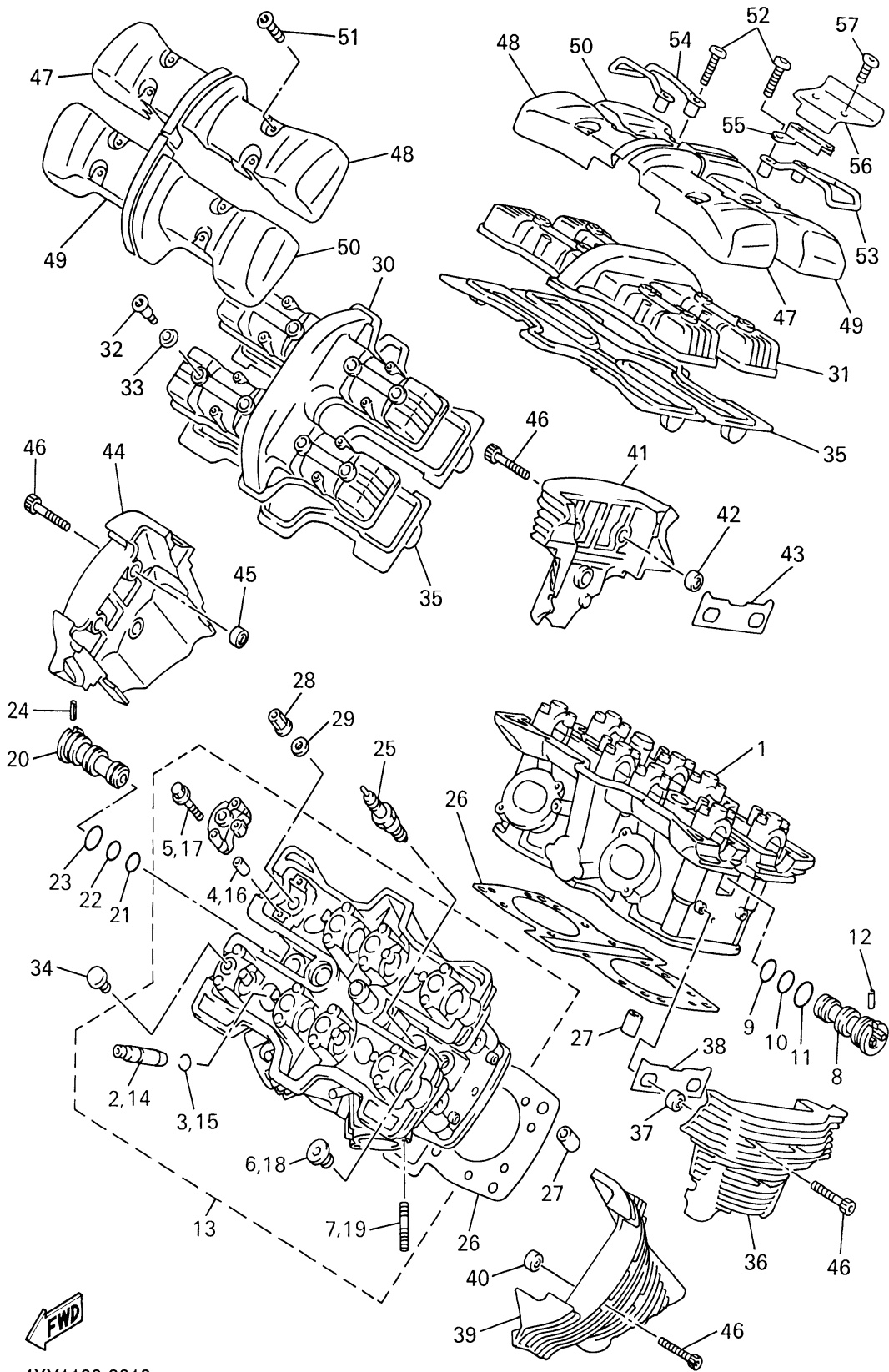
Ref. No.	Part Number	Description	Qty	Remarks
29	90201-102G9-00	WASHER, PLATE (90201-10126-00)	16	
30	4NK-11191-00-00	COVER, CYLINDER HEAD 1	1	
31	4NK-11191-00-00	COVER, CYLINDER HEAD 1	1	
32	90109-066F0-00	BOLT	16	
33	4KG-1111G-00-00	RUBBER, MOUNT 1	16	
34	90338-10150-00	PLUG	16	
35	4NK-11193-00-00	GASKET, HEAD COVER 1	2	
36	4NK-11186-00-00	COVER, CYLINDER HEAD SIDE 2	1	
37	4NK-15316-00-00	DAMPER, ENGINE MOUNT 1	3	
38	4NK-11195-00-00	GASKET	1	
39	4XY-11187-00-00	COVER, CYLINDER HEAD SIDE 3	1	
40	4NK-15316-00-00	DAMPER, ENGINE MOUNT 1	3	
41	4NK-11185-00-00	COVER, CYLINDER HEAD SIDE 1	1	
42	4NK-15316-00-00	DAMPER, ENGINE MOUNT 1	3	
43	4NK-11195-00-00	GASKET	1	
44	4XY-1111H-00-00	COVER, CYLINDER HEAD SIDE 4	1	
45	4NK-15316-00-00	DAMPER, ENGINE MOUNT 1	3	
46	91314-06020-00	BOLT	12	
47	4NK-1111M-00-00	COVER 1	2	
48	4NK-1111N-00-00	COVER 2	2	
49	4NK-1111P-00-00	COVER 3	2	
50	4NK-1111R-00-00	COVER 4	2	
51	92014-06014-00	BOLT, BUTTON HEAD	12	
52	92014-06030-00	BOLT, BUTTON HEAD	4	
53	4NK-11152-00-00	BRACKET, CYLINDER HEAD COVER	1	

CONTINUED ON NEXT FRAME ►

4XY1100-9010

XVZ13TFL_LC

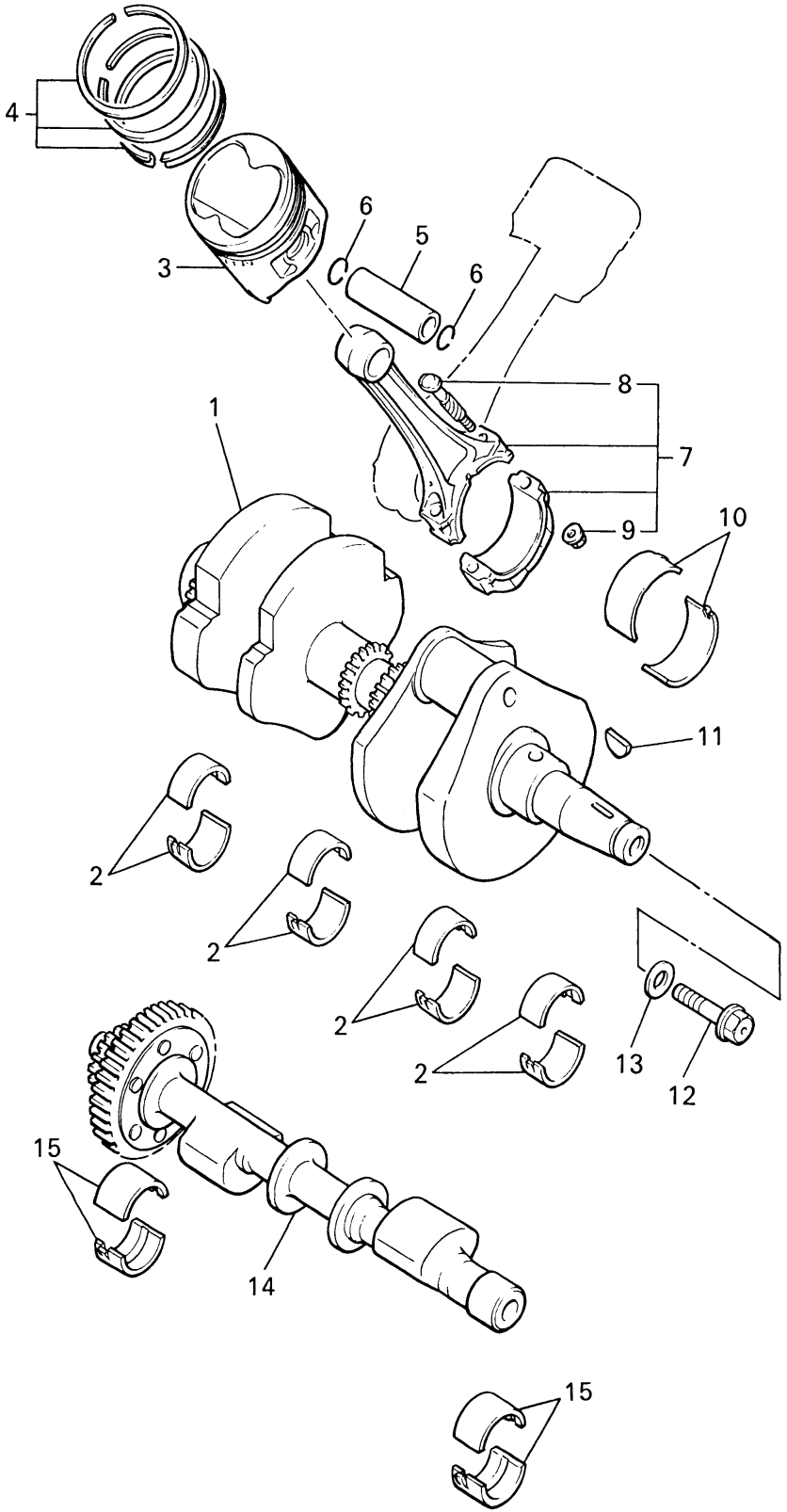
CYLINDER HEAD



Ref. No.	Part Number	Description	Qty	Remarks
54	4NK-11142-00-00	BRACKET, CYLINDER HEAD COVER 2	1	
55	4XY-11152-00-00	BRACKET, CYLINDER HEAD COVER	1	
56	4XY-1118A-00-00	COVER	1	
57	92014-06010-00	BOLT, BUTTON HEAD	2	

4XY1100-9010

CRANKSHAFT - PISTON



Ref. No.	Part Number	Description	Qty	Remarks
1	4XY-11400-00-00	CRANKSHAFT ASSEMBLY ...	1	
2	1FK-11416-01-00	PLANE BEARING, CRANKSHAFT 1	8	UR BLUE
	1FK-11416-11-00	PLANE BEARING, CRANKSHAFT 1	8	UR BLACK
	1FK-11416-21-00	PLANE BEARING, CRANKSHAFT 1	8	UR BROWN
	1FK-11416-31-00	PLANE BEARING, CRANKSHAFT 1	8	UR GREEN
	1FK-11416-41-00	PLANE BEARING, CRANKSHAFT 1	8	UR YELLOW
	1FK-11416-51-00	PLANE BEARING, CRANKSHAFT 1	8	UR PINK
	1FK-11416-61-00	PLANE BEARING, CRANKSHAFT 1	8	UR RED
3	4XY-11631-00-A0	PISTON (STD)	4	
	4XY-11635-00-00	PISTON (0.25MM O/S)	4	AP
	4XY-11636-00-00	PISTON (0.50MM O/S)	4	AP
4	1NL-11610-00-00	PISTON RING SET (STD)	4	
	1NL-11610-10-00	PISTON RING SET (0.25MM O/S)	4	AP
	1NL-11610-20-00	PISTON RING SET (0.50MM O/S)	4	AP
5	1FK-11633-00-00	PIN, PISTON	4	
6	93450-19095-00	CIRCLIP	8	
7	26H-11650-00-00	CONNECTING ROD ASSEMBLY	4	
8	26H-11654-00-00	. BOLT, CONNECTING ROD ..	2	
9	90179-08327-00	. NUT	2	
10	1FK-11656-00-00	PLANE BEARING, CONNECTING ROD	8	UR BLUE
	1FK-11656-10-00	PLANE BEARING, CONNECTING ROD	8	UR BLACK

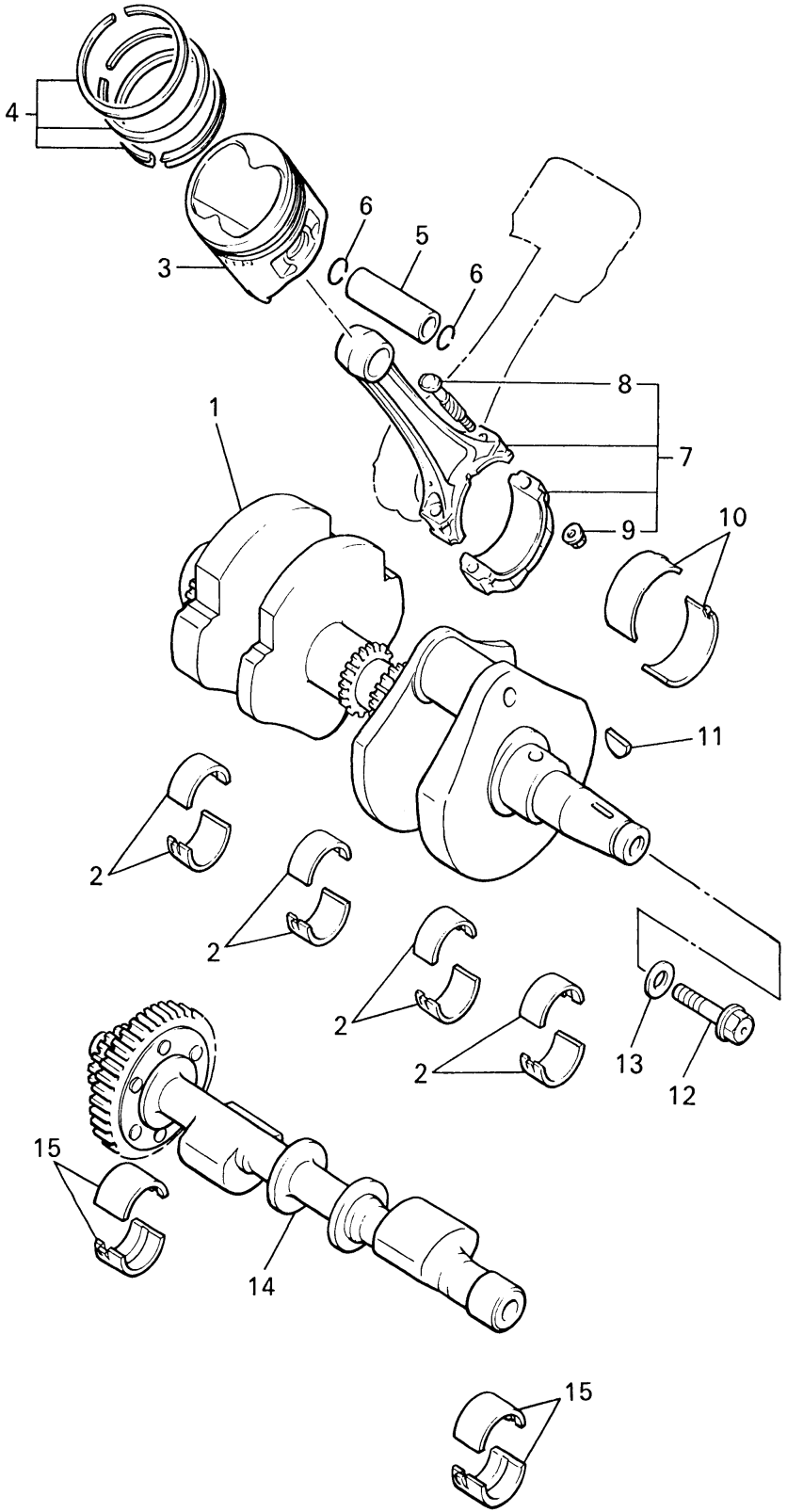
CONTINUED ON NEXT FRAME ►



4XY1100-9020

XVZ13TFL_LC

CRANKSHAFT - PISTON



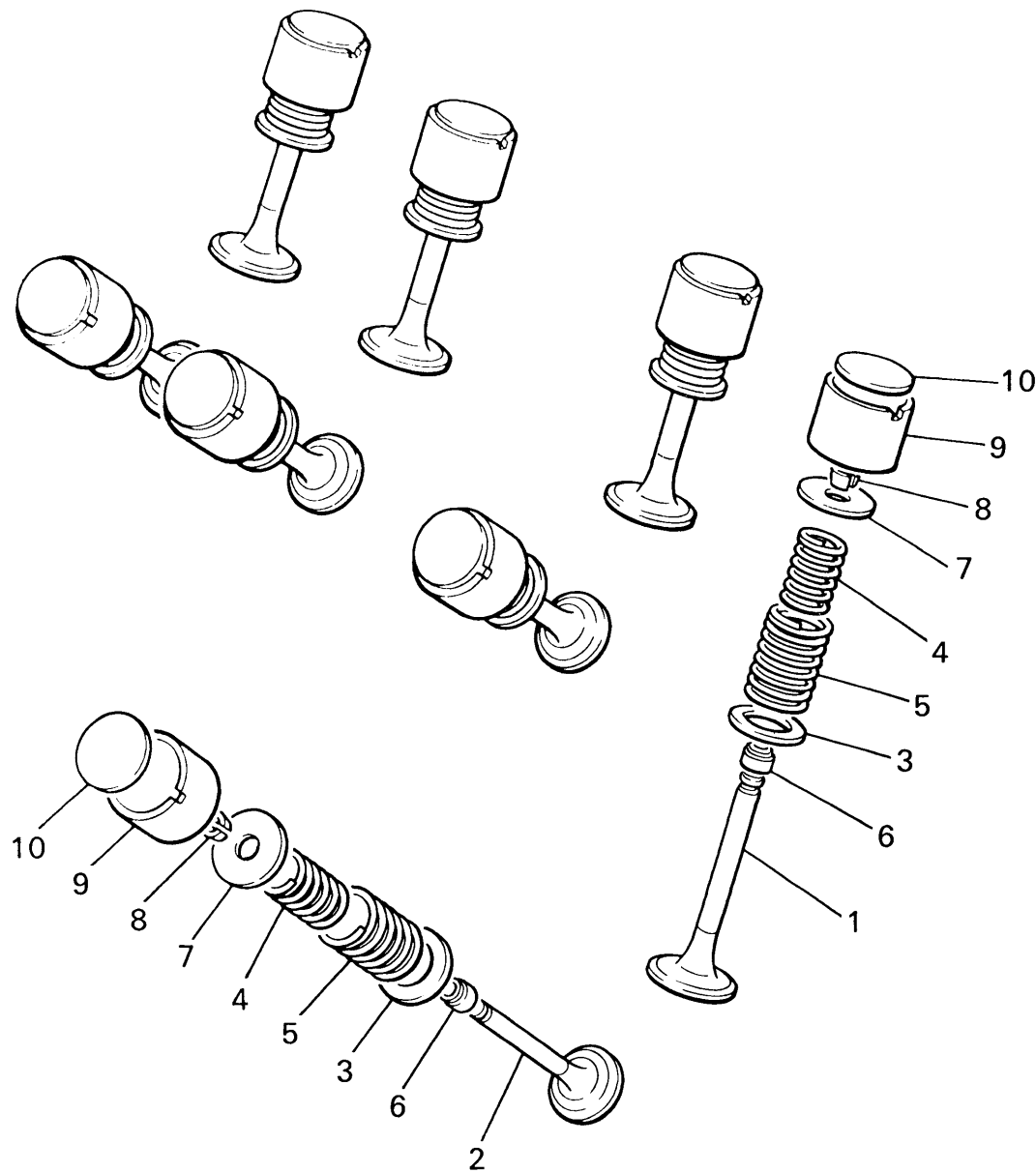
Ref. No.	Part Number	Description	Qty	Remarks
10	1FK-11656-20-00	PLANE BEARING, CONNECTING ROD	8	UR BROWN
	1FK-11656-30-00	PLANE BEARING, CONNECTING ROD	8	UR GREEN
	1FK-11656-40-00	PLANE BEARING, CONNECTING ROD	8	UR YELLOW
	1FK-11656-50-00	PLANE BEARING, CONNECTING ROD	8	UR PINK
11	90280-05029-00	KEY, WOODRUFF	1	
12	90105-12005-00	BOLT, WASHER BASED	1	
13	90201-121H0-00	WASHER, PLATE	1	
14	1FK-11500-10-00	BALANCER ASSEMBLY	1	
15	26H-11413-01-00	PLANE BEARING, BALANCE WEIGHT	4	UR BLUE
	26H-11413-11-00	PLANE BEARING, BALANCE WEIGHT	4	UR BLACK
	26H-11413-21-00	PLANE BEARING, BALANCE WEIGHT	4	UR BROWN
	26H-11413-31-00	PLANE BEARING, BALANCE WEIGHT	4	UR GREEN
	26H-11413-41-00	PLANE BEARING, BALANCE WEIGHT	4	UR YELLOW
	26H-11413-51-00	PLANE BEARING, BALANCE WEIGHT	4	UR PINK
	26H-11413-61-00	PLANE BEARING, BALANCE WEIGHT	4	UR RED



4XY1100-9020

XVZ13TFL_LC

VALVE



Ref. No.	Part Number	Description	Qty	Remarks
1	26H-12111-11-00	VALVE, INTAKE	8	
2	26H-12121-11-00	VALVE, EXHAUST	8	
3	26H-12116-00-00	SEAT, VALVE SPRING	16	
4	26H-12113-00-00	SPRING, VALVE INNER	16	
5	26H-12114-00-00	SPRING, VALVE OUTER	16	
6	4KM-12119-00-00	SEAL, VALVE STEM	16	
7	26H-12117-00-00	RETAINER, VALVE SPRING ..	16	
8	4G0-12118-00-00	COTTER, VALVE	32	
9	26H-12153-00-J0	LIFTER, VALVE (O/S)	16	UR
	26H-12153-00-Y0	LIFTER, VALVE	16	UR
10	26H-12168-00-00	PAD, ADJUSTING (2.00)	16	UR
	26H-12168-20-00	PAD, ADJUSTING (2.05)	16	UR
	26H-12168-40-00	PAD, ADJUSTING (2.10)	16	UR
	26H-12168-60-00	PAD, ADJUSTING (2.15)	16	UR
	26H-12168-80-00	PAD, ADJUSTING (2.20)	16	UR
	26H-12168-A0-00	PAD, ADJUSTING (2.25)	16	UR
	26H-12168-F0-00	PAD, ADJUSTING (2.30)	16	UR
	26H-12168-H0-00	PAD, ADJUSTING (2.35)	16	UR
	26H-12168-K0-00	PAD, ADJUSTING (2.40)	16	UR
	26H-12168-M0-00	PAD, ADJUSTING (2.45)	16	UR
	26H-12168-R0-00	PAD, ADJUSTING (2.50)	16	UR
	26H-12168-U0-00	PAD, ADJUSTING (2.55)	16	UR
	26H-12168-W0-00	PAD, ADJUSTING (2.60)	16	UR
	26H-12168-Y0-00	PAD, ADJUSTING (2.65)	16	UR
	26H-12169-10-00	PAD, ADJUSTING (2.70)	16	UR
	26H-12169-30-00	PAD, ADJUSTING (2.75)	16	UR
	26H-12169-50-00	PAD, ADJUSTING (2.80)	16	UR
	26H-12169-70-00	PAD, ADJUSTING (2.85)	16	UR
	26H-12169-90-00	PAD, ADJUSTING (2.90)	16	UR

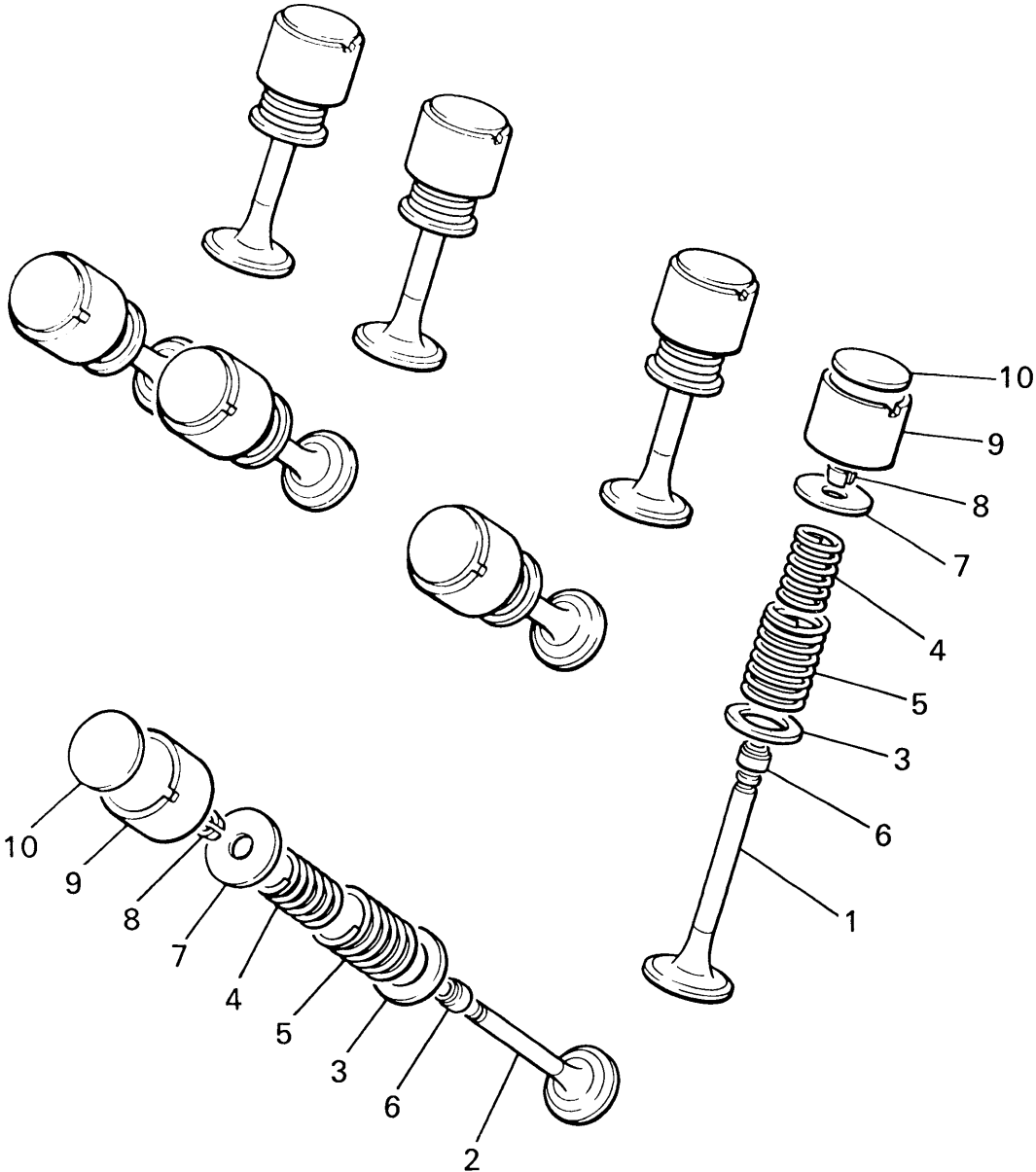
CONTINUED ON NEXT FRAME ►



4XY1100-9030

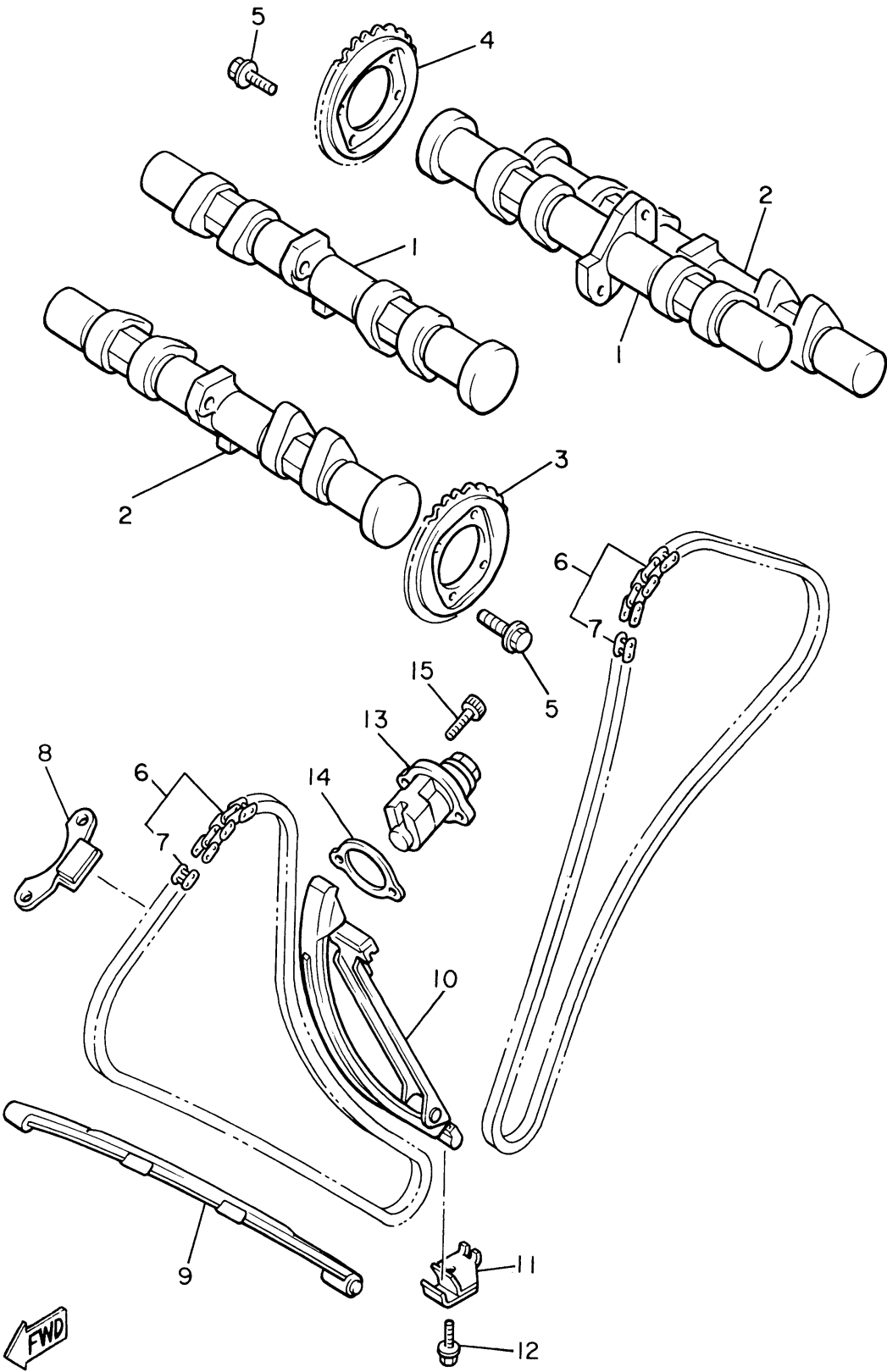
VALVE

Ref. No.	Part Number	Description	Qty	Remarks
10	26H-12169-E0-00	PAD, ADJUSTING (2.95) 16	UR
	26H-12169-G0-00	PAD, ADJUSTING (3.00) 16	UR
	26H-12169-J0-00	PAD, ADJUSTING (3.05) 16	UR
	26H-12169-L0-00	PAD, ADJUSTING (3.10) 16	UR
	26H-12169-N0-00	PAD, ADJUSTING (3.15) 16	UR
	26H-12169-T0-00	PAD, ADJUSTING (3.20) 16	UR



4XY1100-9030

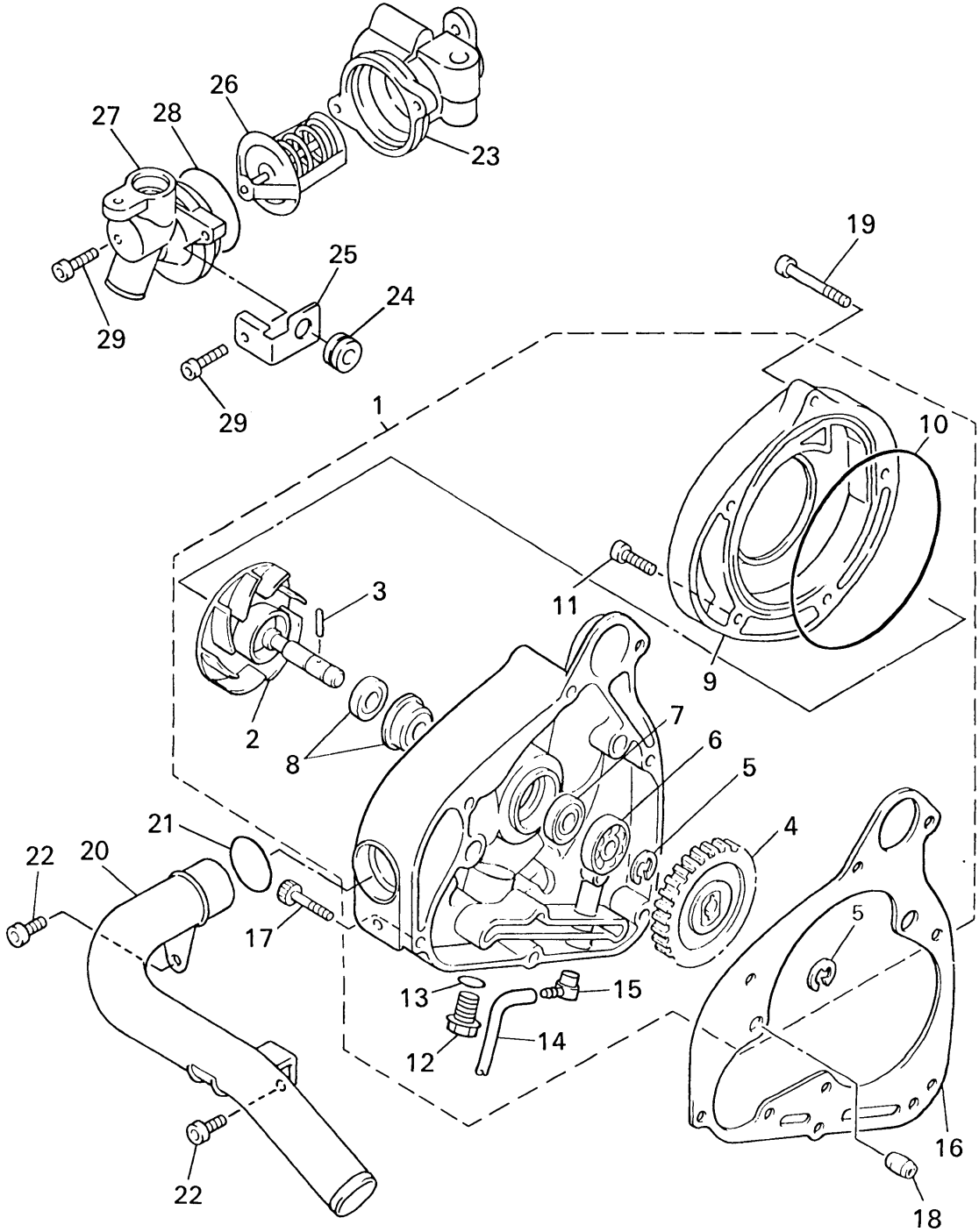
CAMSHAFT - CHAIN



Ref. No.	Part Number	Description	Qty	Remarks
1	4XY-12171-00-00	CAMSHAFT 1	2	
2	4XY-12181-00-00	CAMSHAFT 2	2	
3	4XY-12177-00-00	SPROCKET, CAM CHAIN	2	
4	4XY-12176-00-00	SPROCKET, CAM CHAIN	2	
5	90105-07342-00	BOLT, WASHER BASED	8	
6	94590-44118-00	CHAIN (BF05M-118L)	2	
7	94600-02001-00	. JOINT, CHAIN (BF05M)	1	TSUBAKIMOTO
8	26H-12241-00-00	GUIDE, STOPPER 2	2	
9	26H-12251-00-00	DAMPER, CHAIN 1	2	
10	26H-12252-00-00	DAMPER, CHAIN 2	2	
11	26H-12233-00-00	PLATE, GUIDE STOPPER 1 ...	1	
12	95817-08025-00	BOLT, FLANGE	1	
13	26H-12210-03-00	TENSIONER ASSEMBLY, CAM CHAIN	2	
14	3JP-12213-01-00	GASKET, TENSIONER CASE ..	2	
15	91317-06020-00	BOLT	4	

26H110-3030

WATER PUMP



Ref. No.	Part Number	Description	Qty	Remarks
1	4NK-12420-03-00	WATER PUMP ASSEMBLY ...	1	
2	1FK-12450-00-00	. IMPELLER SHAFT ASSEMBLY	1	
3	93603-14026-00	. PIN, DOWEL	1	
4	26H-12459-00-00	. GEAR, IMPELLER SHAFT (31T)	1	
5	99009-10400-00	. CIRCLIP	2	
6	93306-00006-00	. BEARING (B6000)	1	
7	93101-10090-00	. OIL SEAL	1	
8	11H-12438-00-00	. SEAL, MECHANICAL	1	
9	4NK-W1241-02-00	. COVER, HOUSING	1	
10	93211-16591-00	. O-RING	1	
11	91314-06030-00	. BOLT	2	
12	90340-14132-00	. PLUG, STRAIGHT SCREW ...	1	
13	214-11198-01-00	. GASKET	1	
14	90445-05278-00	. HOSE	1	
15	353-13552-01-00	. NOZZLE	1	
16	4NK-12449-00-00	GASKET, WATER PUMP	1	
17	91314-06025-00	BOLT	4	
18	99530-10114-00	PIN, DOWEL	2	
19	91314-06080-00	BOLT	3	
20	4XY-12483-00-00	PIPE 3	1	
21	93210-23787-00	O-RING	1	
22	91314-06014-00	BOLT	2	
23	4XY-12417-00-00	HOUSING, THERMOSTAT	1	
24	90480-10517-00	GROMMET	1	
25	4XY-1244E-00-00	BRACKET 1	1	
26	1AE-12410-00-00	THERMOSTAT ASSEMBLY ...	1	
27	4XY-12413-00-00	COVER, THERMOSTAT	1	
28	93210-49046-00	O-RING	1	

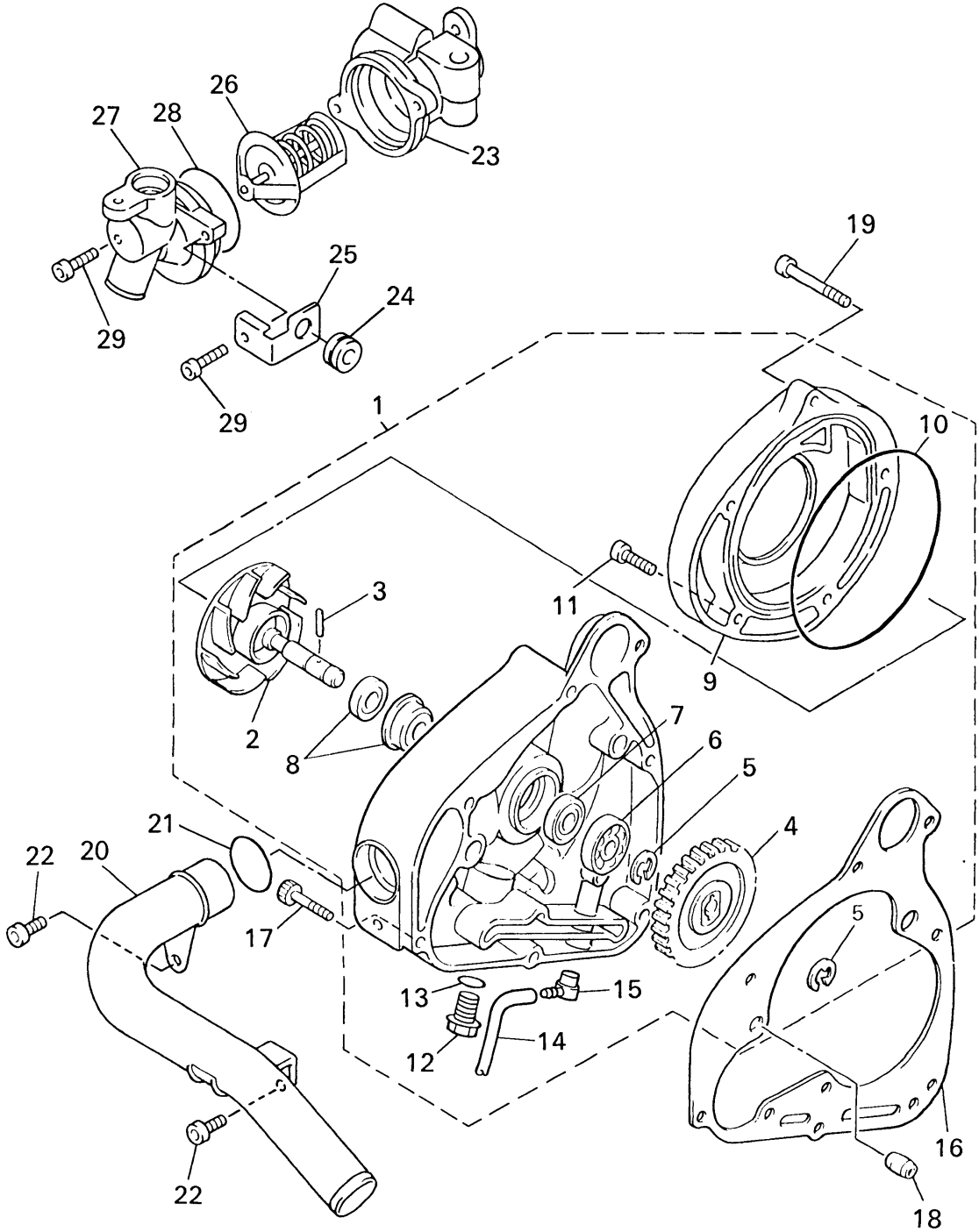
CONTINUED ON NEXT FRAME ►



4XY1100-9050

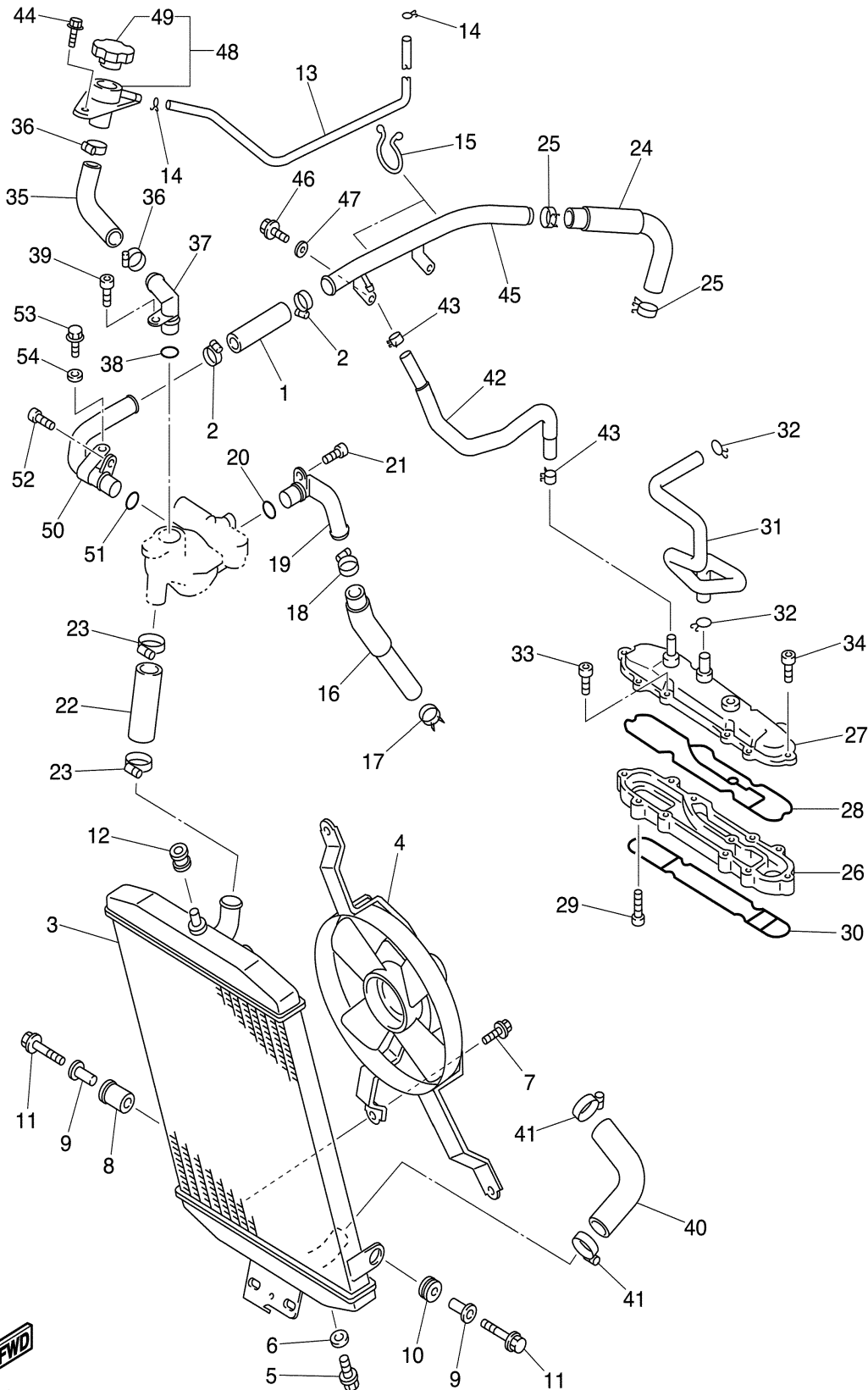
WATER PUMP

Ref. No.	Part Number	Description	Qty	Remarks
29	91317-06020-00	BOLT	2	



4XY1100-9050

RADIATOR - HOSE



Ref. No.	Part Number	Description	Qty	Remarks
1	4XY-12578-00-00	HOSE 3	1	
2	90450-28014-00	HOSE CLAMP ASSEMBLY	2	
3	4XY-12461-00-00	RADIATOR ASSEMBLY	1	
4	4XY-12405-00-00	BLOWER ASSEMBLY	1	
5	1AA-12561-00-00	PLUG, DRAIN COCK	1	
6	1AA-12435-00-00	GASKET	1	
7	90119-06044-00	BOLT, WITH WASHER	3	
8	4XY-12465-00-00	DAMPER, RADIATOR	1	
9	90387-0614X-00	COLLAR	2	
10	90480-19283-00	GROMMET	1	
11	95827-06045-00	BOLT, FLANGE	2	
12	90480-16284-00	GROMMET	1	
13	90445-09123-00	HOSE	1	
14	90467-08003-00	CLIP	2	
15	90464-25267-00	CLAMP	2	
16	4XY-12576-00-00	HOSE 1	1	
17	90467-23109-00	CLIP	1	
18	90450-28014-00	HOSE CLAMP ASSEMBLY	1	
19	4XY-12485-00-00	PIPE 5	1	
20	93210-18417-00	O-RING	1	
21	91317-06012-00	BOLT	1	
22	4XY-12579-00-00	HOSE 4	1	
23	90450-38040-00	HOSE CLAMP ASSEMBLY	2	
24	4XY-12577-00-00	HOSE 2	1	
25	90467-23109-00	CLIP	2	
26	26H-1246A-03-00	COVER 1	1	
27	26H-1246E-03-00	COVER 2	1	
28	26H-12428-00-00	GASKET, HOUSING COVER 2	1	
29	91314-06016-00	BOLT	4	

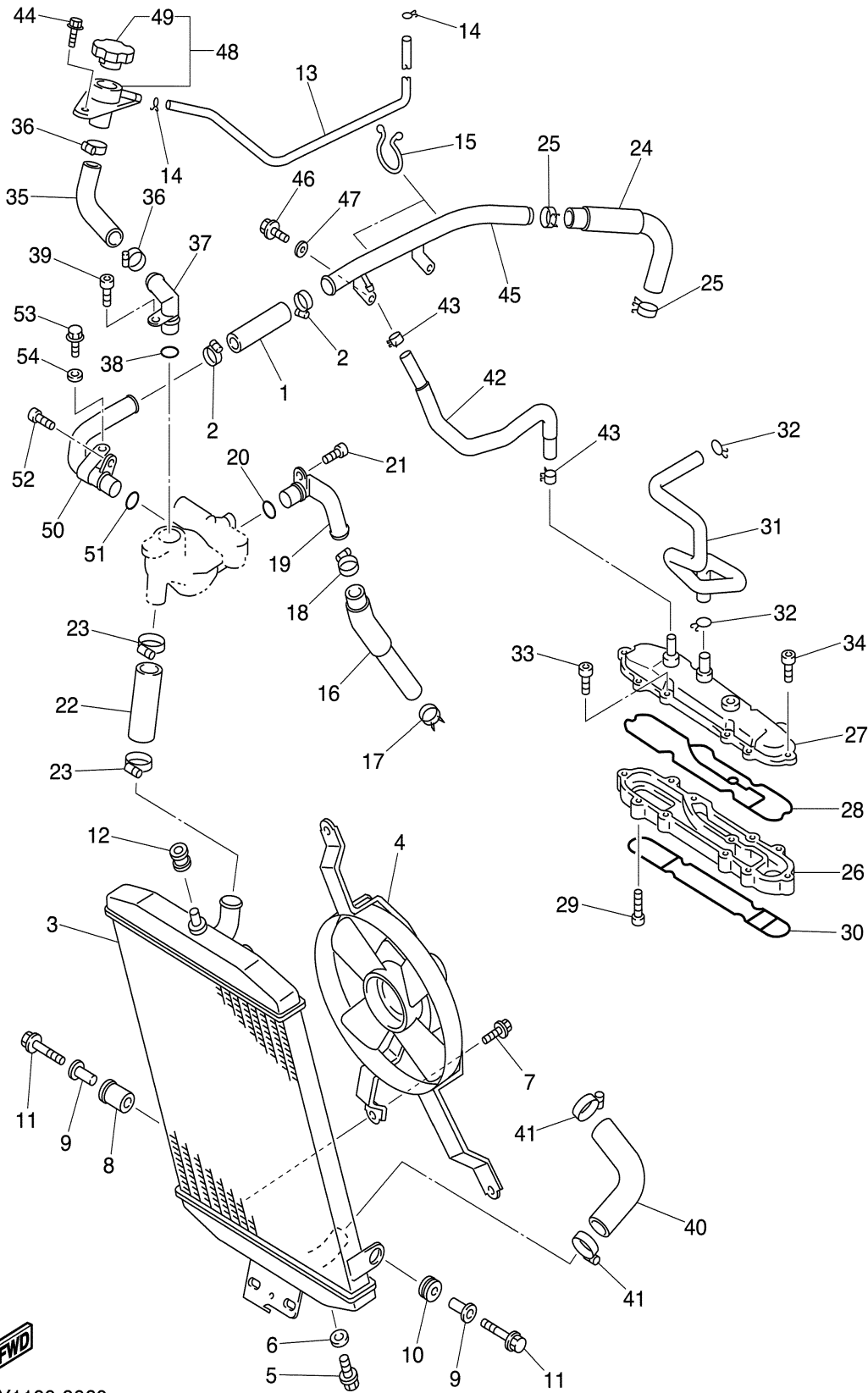
CONTINUED ON NEXT FRAME ➤



4XY1100-9060

XVZ13TFL_LC

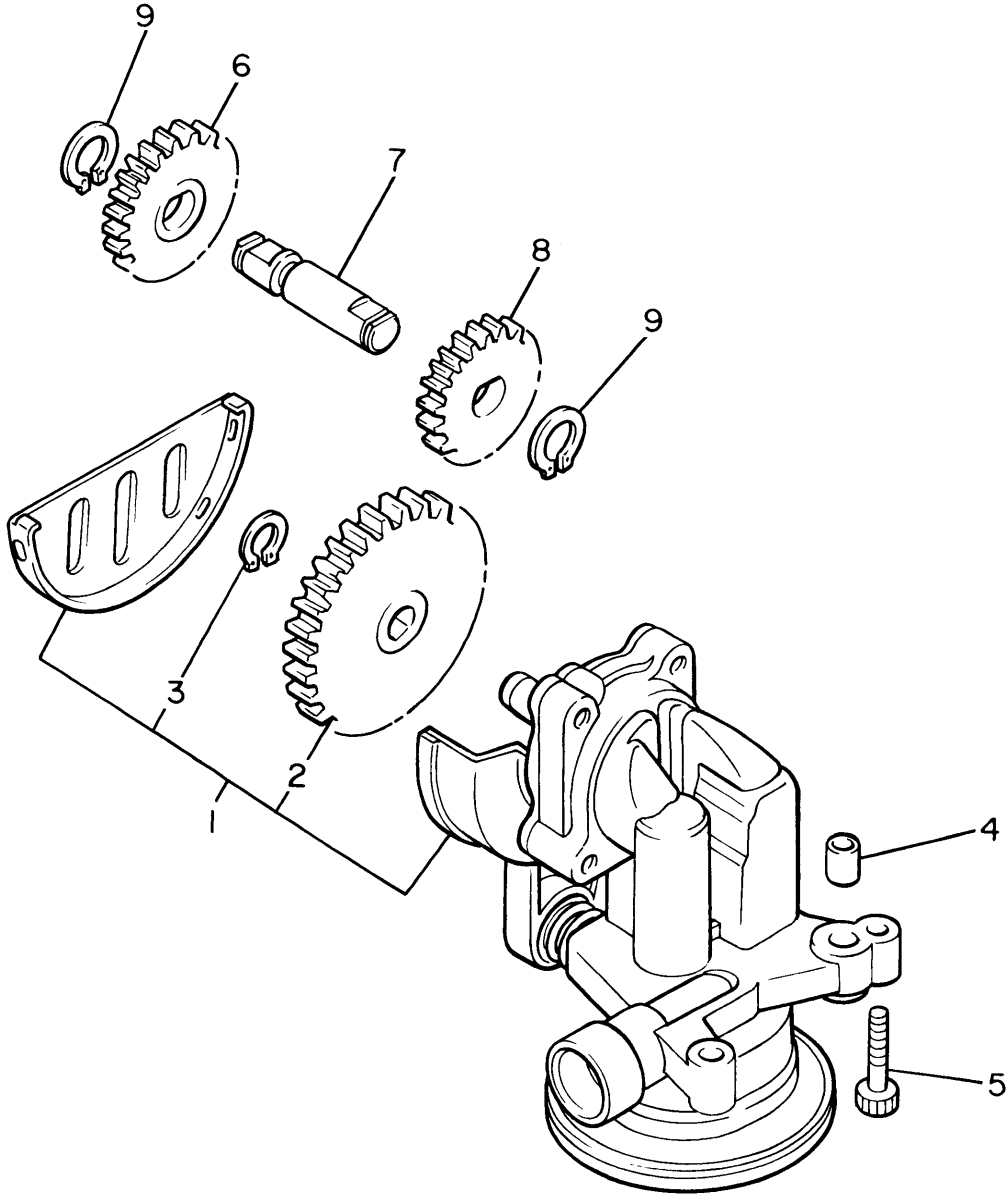
RADIATOR - HOSE



Ref. No.	Part Number	Description	Qty	Remarks
30	26H-12427-00-00	GASKET, HOUSING COVER 1	1	
31	4XY-11166-00-00	PIPE, BREATHER 1	1	
32	90467-14015-00	CLIP	2	
33	4NK-12615-00-00	BOLT	4	
34	91314-06040-00	BOLT	2	
35	4XY-12589-00-00	HOSE 6	1	
36	90450-28014-00	HOSE CLAMP ASSEMBLY	2	
37	4XY-12484-00-00	PIPE 4	1	
38	93210-18417-00	O-RING	1	
39	91317-06012-00	BOLT	1	
40	4XY-12588-00-00	HOSE 5	1	
41	90450-38040-00	HOSE CLAMP ASSEMBLY	2	
42	4XY-12551-00-00	HOSE 7	1	
43	90467-11090-00	CLIP	2	
44	95827-06012-00	BOLT, FLANGE	2	
45	4XY-12481-00-00	PIPE 1	1	
46	97027-05010-00	BOLT	2	
47	92907-05600-00	WASHER, PLATE	2	
48	4NK-12590-00-00	CONDUCTION ASSEMBLY	1	
49	3XP-12462-00-00	. CAP, RADIATOR	1	
50	4XY-12482-00-00	PIPE 2	1	
51	93210-18417-00	O-RING	1	
52	91317-06012-00	BOLT	1	
53	95027-06012-00	BOLT, FLANGE	1	
54	92907-06600-00	WASHER, PLATE (92906-06600-00)	1	

4XY1100-9060

OIL PUMP

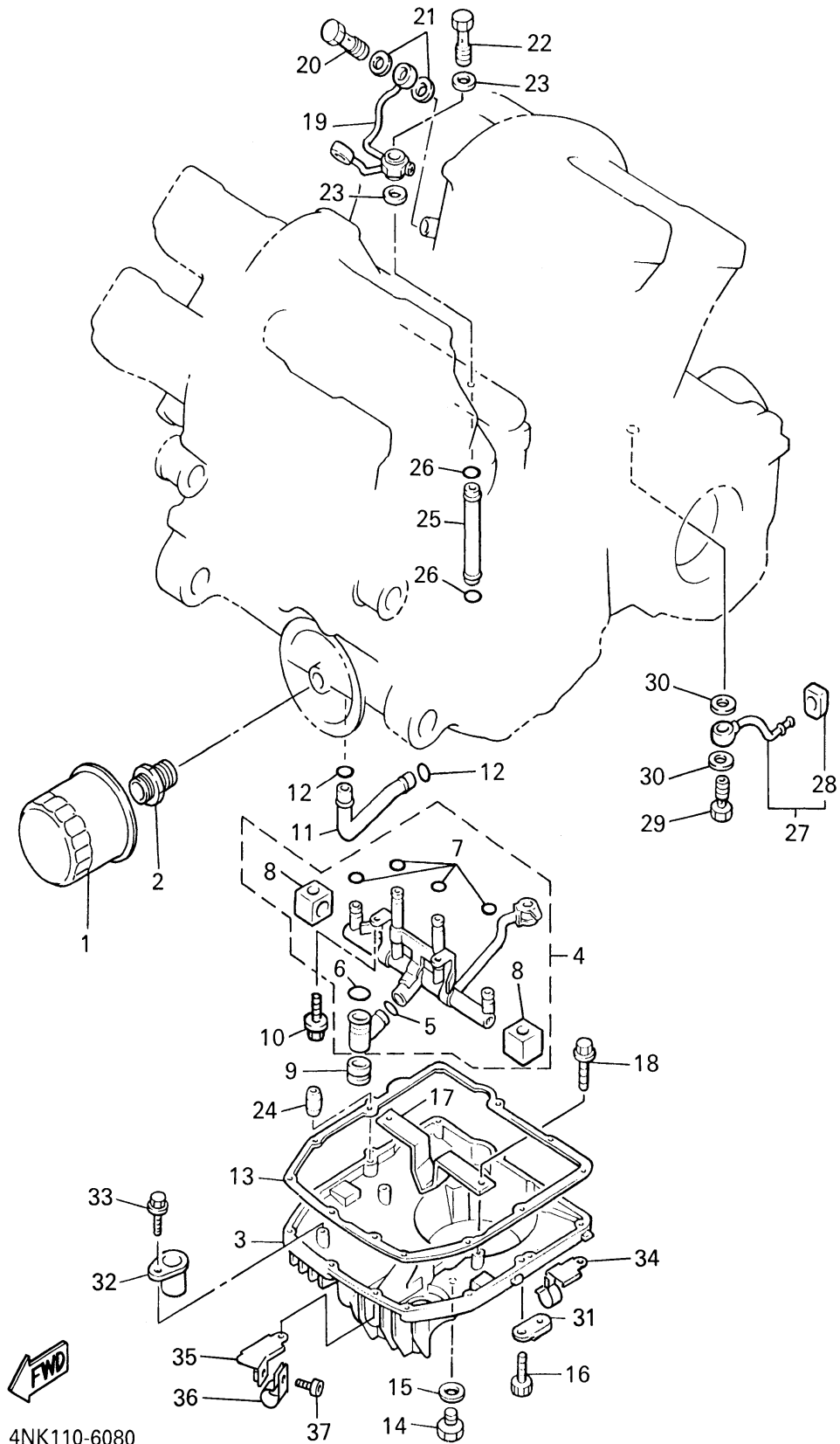


Ref. No.	Part Number	Description	Qty	Remarks
1	26H-13300-02-00	OIL PUMP ASSEMBLY	1	
2	26H-13325-00-00	. GEAR, PUMP DRIVEN (28T) .	1	
3	99009-11400-00	. CIRCLIP	1	
4	99530-10114-00	PIN, DOWEL	2	
5	91317-06025-00	BOLT	3	
6	26H-13351-01-00	GEAR, PUMP IDLE 1 (16T)	1	
7	26H-13342-00-00	SHAFT, IDLE GEAR	1	
8	26H-13361-00-00	GEAR, PUMP IDLE 2 (15T)	1	
9	99009-12400-00	CIRCLIP	2	



26H110-3070

OIL CLEANER

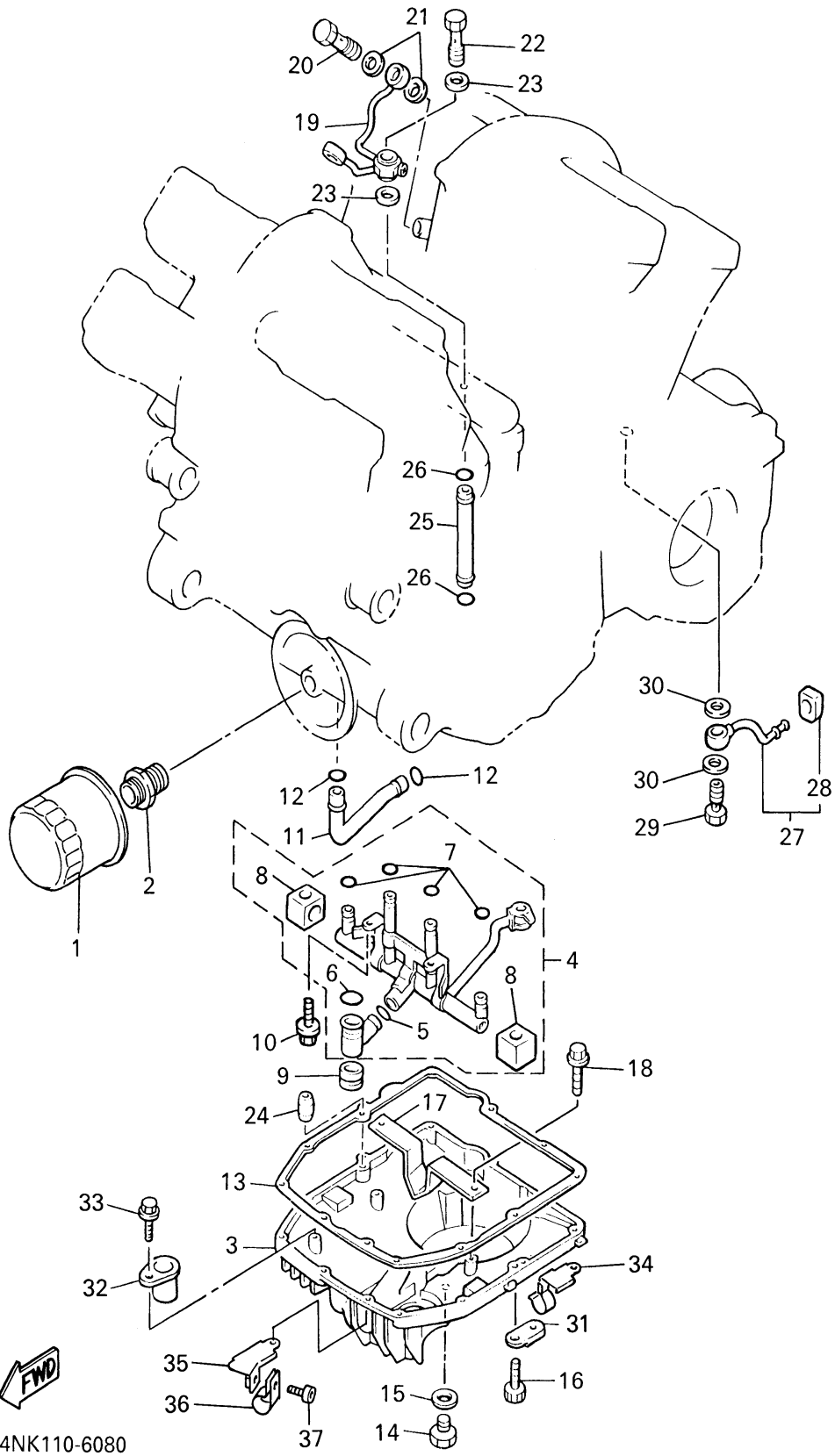


4NK110-6080

Ref. No.	Part Number	Description	Qty	Remarks
1	3FV-13440-00-00	ELEMENT ASSEMBLY, OIL CLEANER	1	
2	90401-20145-00	BOLT, UNION	1	
3	26H-13417-01-00	COVER, STRAINER	1	
4	26H-Y1319-10-00	DELIVERY PIPE ASS'Y	1	
5	93210-13361-00	. O-RING	1	
6	93210-14637-00	. O-RING	1	
7	93210-06667-00	. O-RING	4	
8	26H-15365-00-00	. GROMMET	2	
9	26H-15366-01-00	GROMMET	1	
10	95817-06012-00	BOLT, FLANGE	2	
11	26H-13161-00-00	PIPE, DELIVERY 1	1	
12	93210-14579-00	O-RING	2	
13	3JP-13414-01-00	GASKET, STRAINER COVER	1	
14	90340-14132-00	PLUG, STRAIGHT SCREW	1	
15	214-11198-01-00	GASKET	1	
16	91317-06030-00	BOLT	12	
17	26H-13337-01-00	PLATE, BAFFLE LOWER	1	
18	95817-06012-00	BOLT, FLANGE	2	
19	26H-13181-03-00	PIPE, DELIVERY 3	1	
20	90401-08038-00	BOLT, UNION	2	
21	90430-08119-00	GASKET	4	
22	90401-10108-00	BOLT, UNION	1	
23	90201-10128-00	WASHER, PLATE	2	
24	99530-08016-00	PIN, DOWEL	2	
25	26H-13171-00-00	PIPE, DELIVERY 2	1	
26	93210-06667-00	O-RING	2	
27	26H-13416-01-00	PIPE, OIL 1	1	
28	26H-13476-00-00	. GASKET	1	

CONTINUED ON NEXT FRAME ►

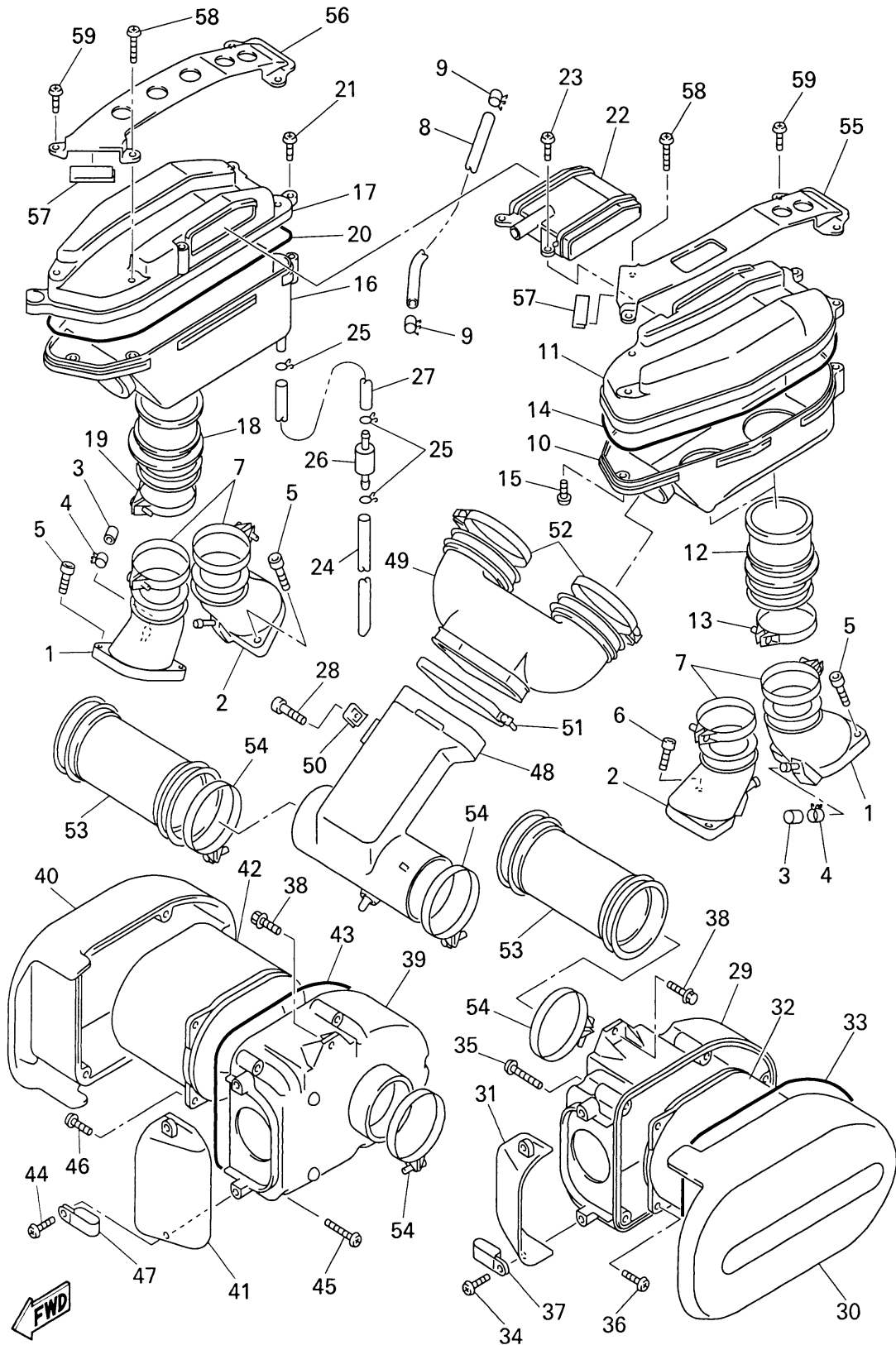
OIL CLEANER



4NK110-6080

Ref. No.	Part Number	Description	Qty	Remarks
29	90401-08093-00	BOLT, UNION	1	
30	90430-08119-00	GASKET	2	
31	90465-08193-00	CLAMP	1	
32	1FK-13151-00-00	STAY	1	
33	95817-06012-00	BOLT, FLANGE	1	
34	90462-10226-00	CLAMP	1	
35	4NK-13782-00-00	STAY	1	
36	90461-15100-00	CLAMP	1	
37	91317-05010-00	BOLT	1	

INTAKE

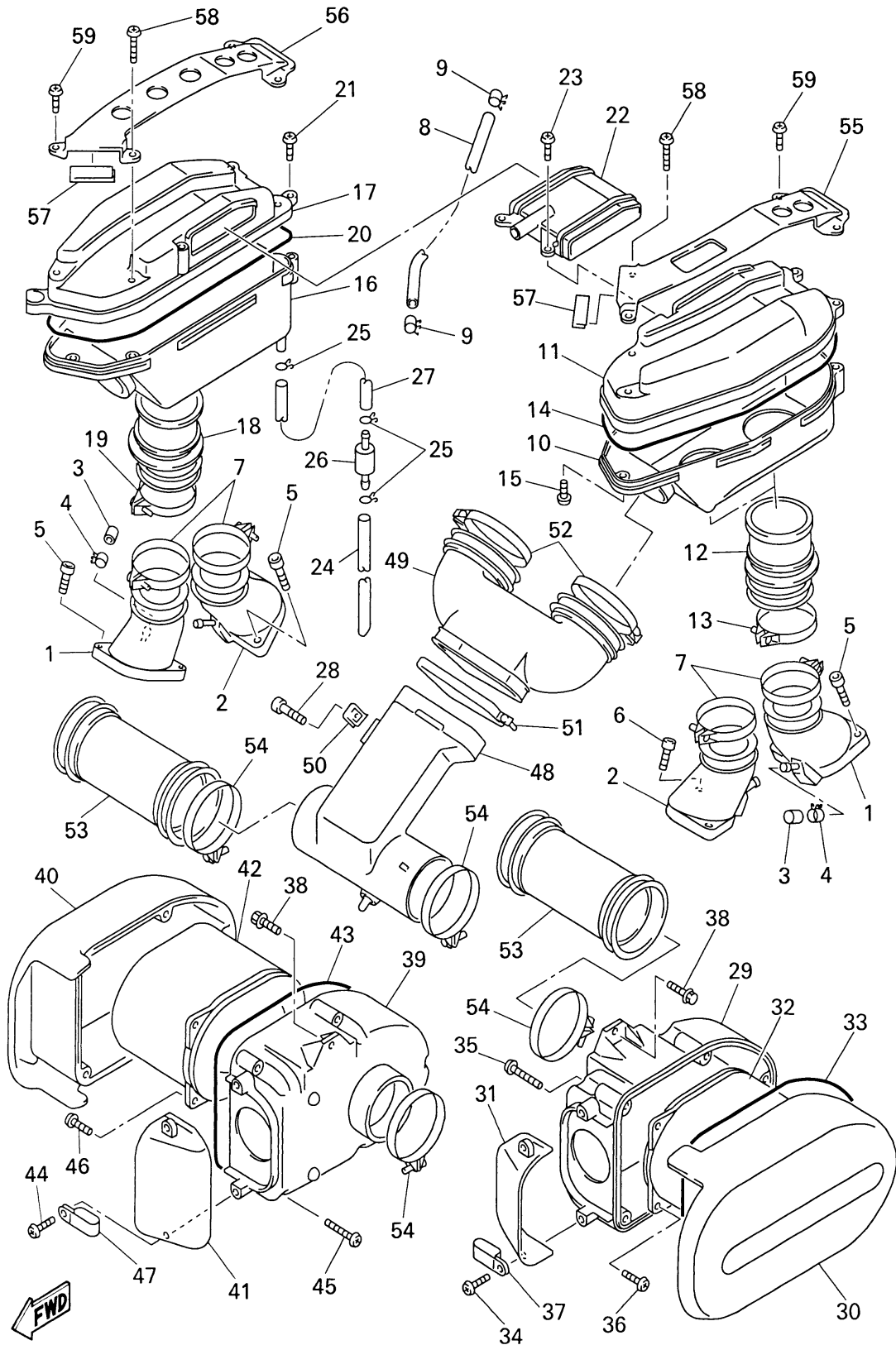


Ref. No.	Part Number	Description	Qty	Remarks
1	4XY-13586-00-00	JOINT, CARBURETOR 1	2	
2	4XY-13596-00-00	JOINT, CARBURETOR 2	2	
3	16G-13569-00-00	PLUG, BLIND	2	
4	90467-10039-00	CLIP	2	
5	91317-06020-00	BOLT	6	
6	91317-06016-00	BOLT	2	
7	90460-49293-00	CLAMP, HOSE	4	
8	4XY-13971-00-00	PIPE, FUEL 1	1	
9	90467-13123-00	CLIP	2	
10	4XY-14411-00-00	CASE, AIR CLEANER 1	1	
11	4XY-14417-00-00	COVER 1	1	
12	4XY-14453-00-00	JOINT, AIR CLEANER 1	2	
13	90460-58204-00	CLAMP, HOSE	2	
14	4XY-14457-00-00	SEAL	1	
15	97707-50120-00	SCREW, TAPPING	2	
16	4XY-14421-00-00	CASE, AIR CLEANER 2	1	
17	4XY-14418-00-00	COVER 2	1	
18	4XY-14453-00-00	JOINT, AIR CLEANER 1	2	
19	90460-58204-00	CLAMP, HOSE	2	
20	4XY-14457-00-00	SEAL	1	
21	97707-50120-00	SCREW, TAPPING	2	
22	4XY-14485-00-00	PIPE, JOINT	1	
23	97707-50116-00	SCREW, TAPPING	2	
24	90445-115J9-00	HOSE	2	
25	90467-11106-00	CLIP	6	
26	4X7-2149Y-00-00	FILTER ASSEMBLY	2	
27	2UJ-14419-00-00	PIPE	2	
28	91314-06035-00	BOLT	1	
29	4XY-14431-00-00	SILENCER, INTAKE 1	1	

CONTINUED ON NEXT FRAME ►

4XY1100-9090

INTAKE

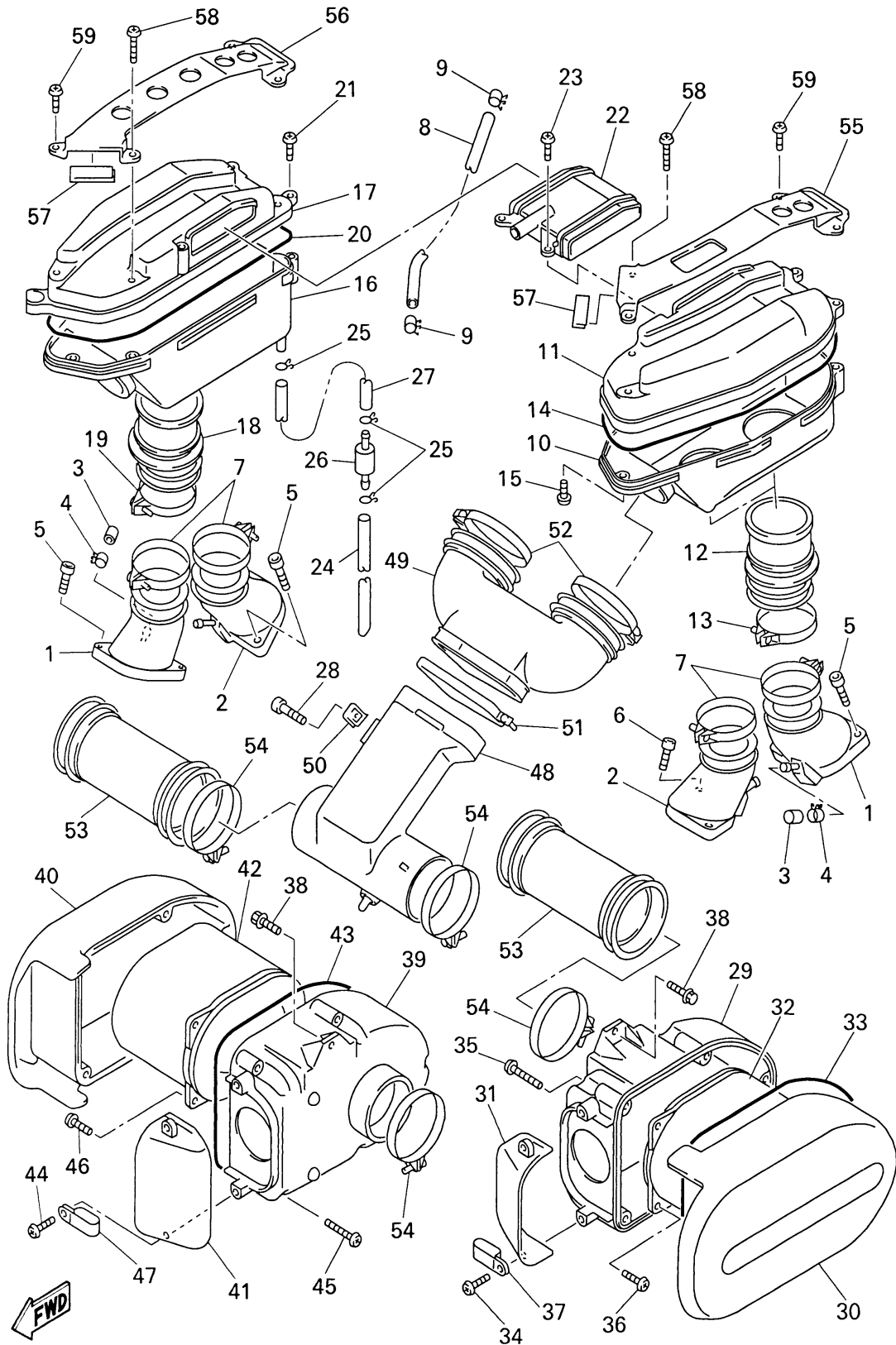


Ref. No.	Part Number	Description	Qty	Remarks
30	4XY-1442A-00-00	COVER, CLEANER CASE 3	1	
31	4XY-14437-00-00	DUCT	1	
32	4XY-14451-00-00	ELEMENT, AIR CLEANER	1	
33	4XY-14452-00-00	SEAL	1	
34	97707-50125-00	SCREW, TAPPING	2	
35	97707-50140-00	SCREW, TAPPING	5	
36	97707-50116-00	SCREW, TAPPING	2	
37	90461-05003-00	CLAMP	1	
38	95804-06012-00	BOLT, FLANGE	4	
39	4XY-14431-00-00	SILENCER, INTAKE 1	1	
40	4XY-1442A-00-00	COVER, CLEANER CASE 3	1	
41	4XY-14437-00-00	DUCT	1	
42	4XY-14451-00-00	ELEMENT, AIR CLEANER	1	
43	4XY-14452-00-00	SEAL	1	
44	97707-50125-00	SCREW, TAPPING	2	
45	97707-50140-00	SCREW, TAPPING	5	
46	97707-50116-00	SCREW, TAPPING	2	
47	90461-05003-00	CLAMP	1	
48	4XY-1441A-00-00	COVER, CLEANER CASE 1	1	
49	4XY-14463-00-00	JOINT, AIR CLEANER 2	1	
50	90183-06069-00	NUT, SPRING	1	
51	4XY-14455-00-00	BAND	1	
52	90460-65169-00	CLAMP, HOSE	2	
53	4XY-14454-00-00	JOINT	2	
54	90460-65169-00	CLAMP, HOSE	4	
55	4XY-82361-00-00	CLAMP, CORD	1	
56	4XY-82362-00-00	CLAMP, CORD 2	1	
57	4XY-82388-01-00	PLATE	2	
58	97707-50140-00	SCREW, TAPPING	2	

CONTINUED ON NEXT FRAME ►

4XY1100-9090

INTAKE

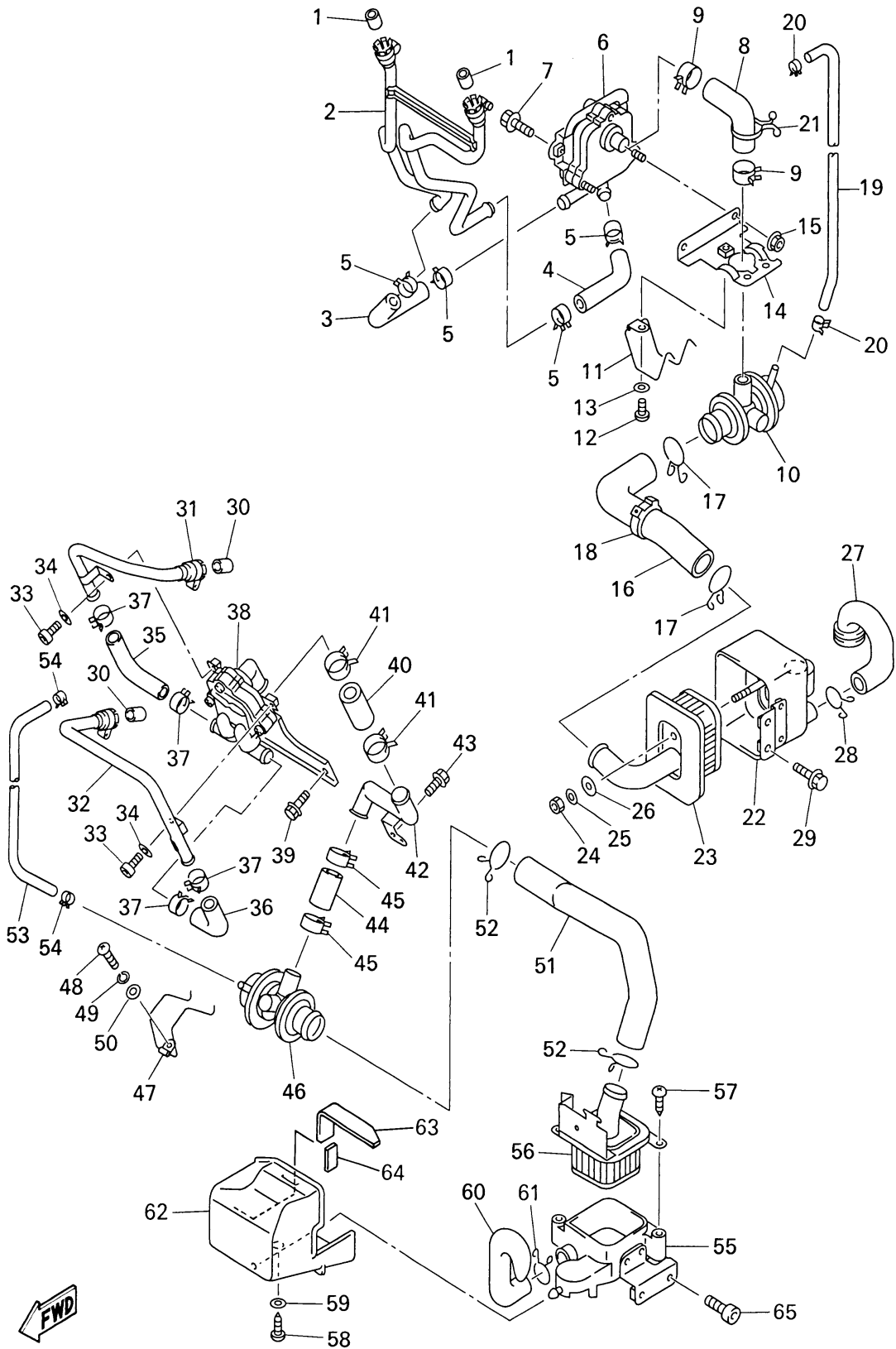


Ref. No.	Part Number	Description	Qty	Remarks
59	97707-50125-00	SCREW, TAPPING	6	

4XY1100-9090

XVZ13TFL_LC

AIR INDUCTION SYSTEM



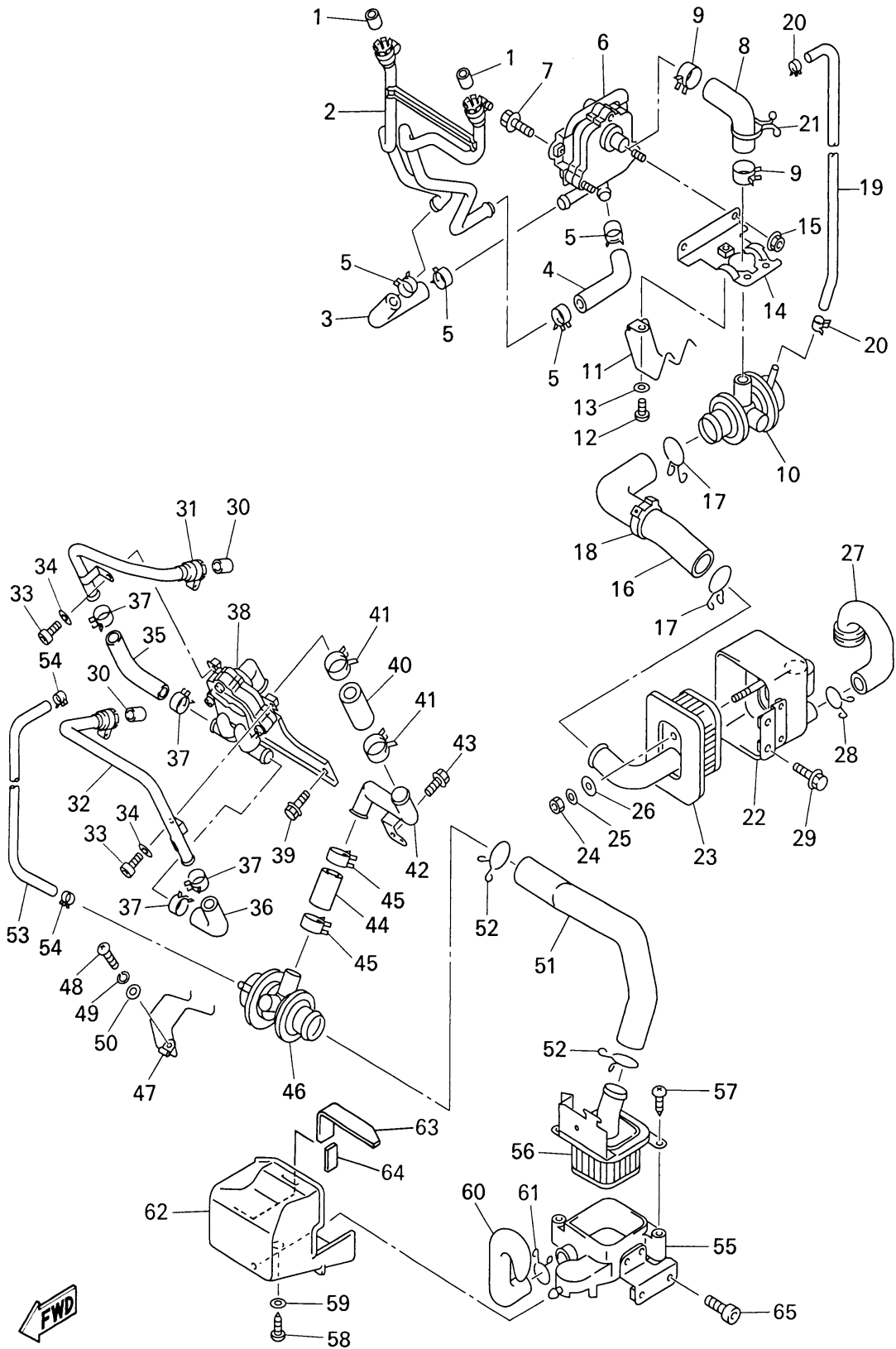
Ref. No.	Part Number	Description	Qty	Remarks
1	4KM-14714-01-00	GASKET, MUFFLER	2	
2	4XY-14872-00-00	PIPE 2	1	
3	4XY-14881-00-00	HOSE, BEND 1	1	
4	4XY-14881-10-00	HOSE, BEND 1	1	
5	90468-08104-00	CLIP	4	
6	4XY-14808-00-00	REED VALVE ASSEMBLY	1	
7	95827-06012-00	BOLT, FLANGE	2	
8	4XY-14882-10-00	HOSE, BEND 2	1	
9	90467-19160-00	CLIP	2	
10	4XY-14840-00-00	AIR CUT VALVE ASS'Y	1	
11	90462-20188-00	CLAMP	1	
12	98507-06014-00	SCREW, PAN HEAD	1	
13	92907-06600-00	WASHER, PLATE (92906-06600-00)	1	
14	4XY-14868-00-00	BRACKET 2	1	
15	95707-06500-00	NUT, FLANGE	2	
16	4XY-14882-00-00	HOSE, BEND 2	1	
17	90467-24096-00	CLIP	2	
18	90464-25217-00	CLAMP	1	
19	90445-086K4-00	HOSE	1	
20	90467-08092-00	CLIP	2	
21	90464-25267-00	CLAMP	1	
22	4XY-14857-00-00	CASE, AIR CLEANER	1	
23	4XY-14858-00-00	CAP, CASE	1	
24	95307-05600-00	NUT	1	
25	92907-05200-00	WASHER	1	
26	90202-05057-00	WASHER, PLATE	1	
27	4XY-14883-00-00	HOSE, BEND 3	1	
28	90467-20030-00	CLIP	1	

CONTINUED ON NEXT FRAME ►

4XY1100-9100

XVZ13TFL_LC

AIR INDUCTION SYSTEM



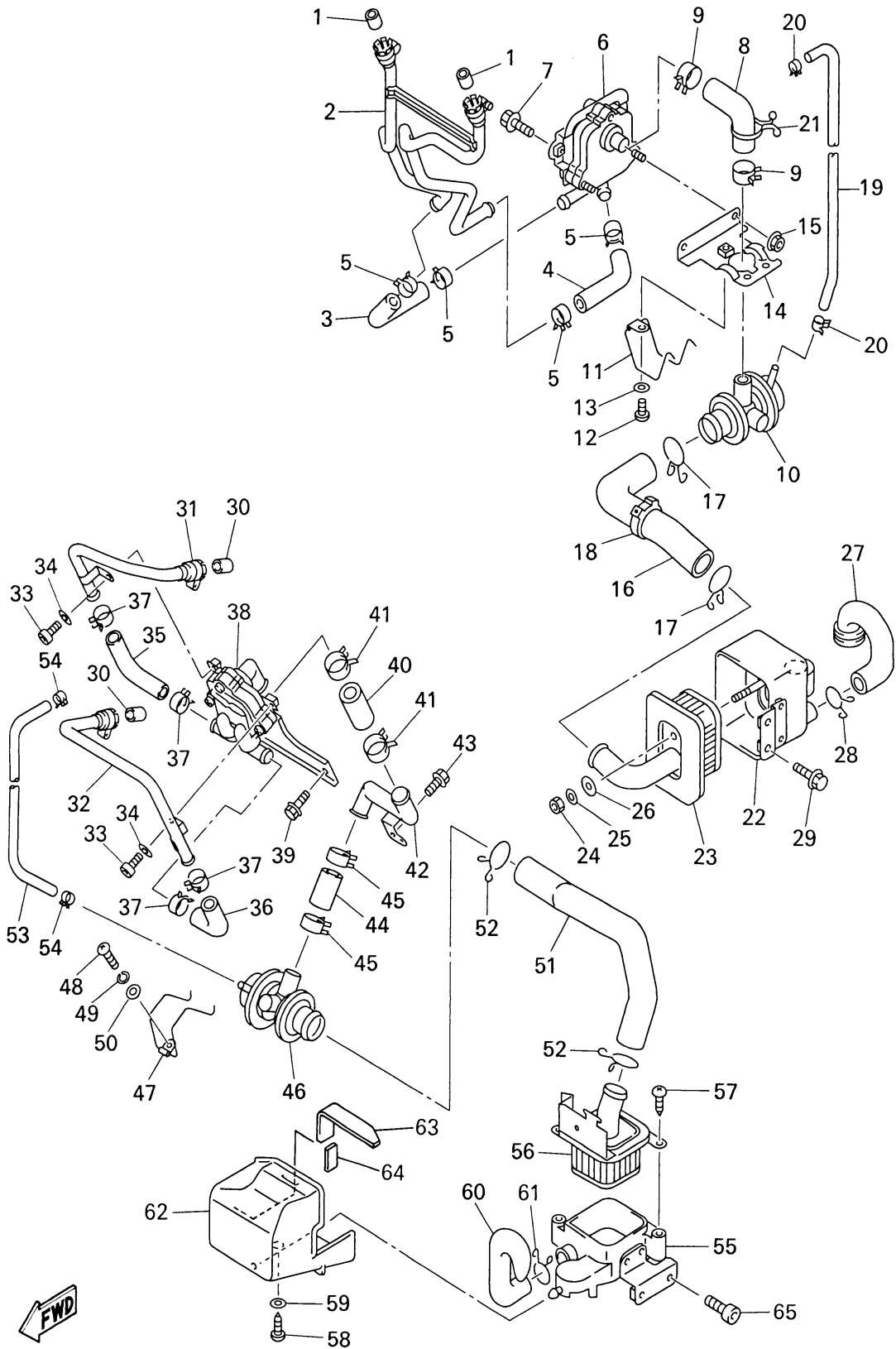
Ref. No.	Part Number	Description	Qty	Remarks
29	95827-06012-00	BOLT, FLANGE	2	
30	4KM-14714-01-00	GASKET, MUFFLER	2	
31	4XY-14873-00-00	PIPE 3	1	
32	4XY-14874-00-00	PIPE 4	1	
33	91317-06012-00	BOLT	2	
34	92907-06600-00	WASHER, PLATE (92906-06600-00)	2	
35	4XY-14886-00-00	HOSE, BEND 6	1	
36	4XY-14886-10-00	HOSE, BEND 6	1	
37	90468-08104-00	CLIP	4	
38	4XY-14808-10-00	REED VALVE ASSEMBLY	1	
39	95807-06012-00	BOLT, FLANGE	1	
40	4XY-14884-00-00	HOSE, BEND 4	1	
41	90467-19160-00	CLIP	2	
42	4XY-14875-00-00	PIPE 5	1	
43	95817-06012-00	BOLT, FLANGE	1	
44	4XY-14884-10-00	HOSE, BEND 4	1	
45	90467-19160-00	CLIP	2	
46	4XY-14840-10-00	AIR CUT VALVE ASS'Y	1	
47	90462-20188-00	CLAMP	1	
48	98507-06016-00	SCREW, WITH WASHER	1	
49	92907-06100-00	WASHER, SPRING	1	
50	92907-06600-00	WASHER, PLATE (92906-06600-00)	1	
51	4XY-14885-00-00	HOSE, BEND 5	1	
52	90467-24096-00	CLIP	2	
53	90445-091J2-00	HOSE	1	
54	90467-08092-00	CLIP	2	
55	4XY-14857-10-00	CASE, AIR CLEANER	1	

CONTINUED ON NEXT FRAME ►

4XY1100-9100

XVZ13TFL_LC

AIR INDUCTION SYSTEM

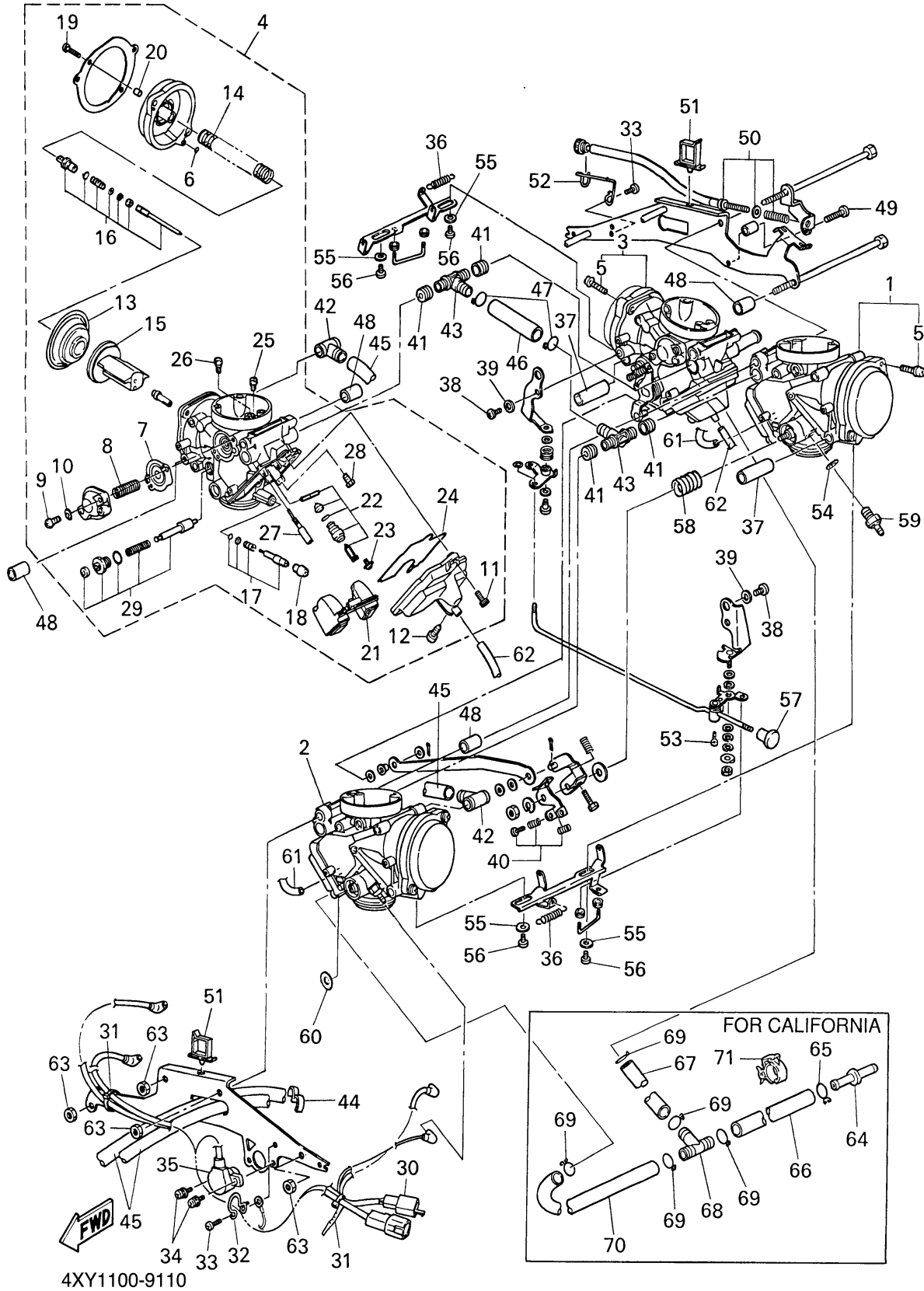


Ref. No.	Part Number	Description	Qty	Remarks
56	4XY-14858-10-00	CAP, CASE	1	
57	97707-50112-00	SCREW, TAPPING	2	
58	97707-50610-00	SCREW, TAPPING	1	
59	90201-05725-00	WASHER, PLATE	1	
60	4XY-14887-10-00	HOSE, BEND 7	1	
61	90467-20030-00	CLIP	1	
62	4XY-1479H-00-00	COVER, 1	1	
63	4XY-14829-00-00	SEAL, DUST	1	
64	4XY-14855-00-00	SEAL, DUST	1	
65	91317-06016-00	BOLT	2	

4XY1100-9100

XVZ13TFL_LC

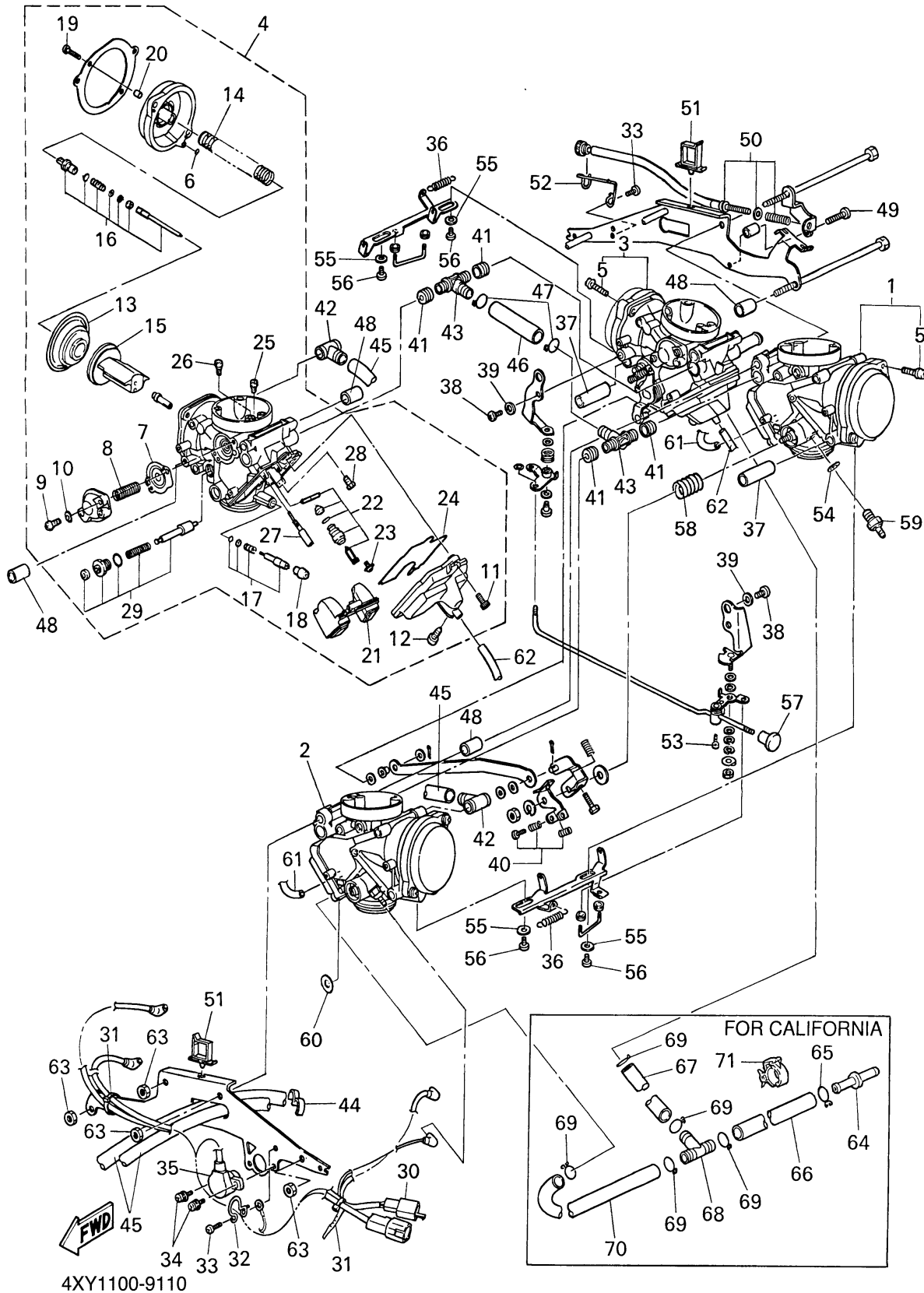
CARBURETOR



Ref. No.	Part Number	Description	Qty	Remarks
1	4XY-14901-00-00	CARBURETOR ASSEMBLY 1	1	
	4XY-14901-10-00	CARBURETOR ASSEMBLY 1	1	CALIFORNIA
2	4XY-14902-00-00	CARBURETOR ASSEMBLY 2	1	
	4XY-14902-10-00	CARBURETOR ASSEMBLY 2	1	CALIFORNIA
3	4XY-14903-00-00	CARBURETOR ASSEMBLY 3	1	
	4XY-14903-10-00	CARBURETOR ASSEMBLY 3	1	CALIFORNIA
4	4XY-14904-00-00	CARBURETOR ASSEMBLY 4	1	
	4XY-14904-10-00	CARBURETOR ASSEMBLY 4	1	CALIFORNIA
5	4KM-14216-00-00	. SCREW	2	
6	354-14147-00-00	. O-RING	1	
7	5AP-14940-00-00	. DIAPHRAGM ASSEMBLY	1	
8	4XY-14589-00-00	. SPRING	1	
9	98507-04014-00	. SCREW, PAN HEAD	2	
10	92907-04100-00	. WASHER, SPRING	2	
11	91317-05012-00	. BOLT	3	
12	4KP-14191-00-00	. PLUG, DRAIN	1	
13	5DM-24411-00-00	. DIAPHRAGM	1	
14	4XY-14933-00-00	. SPRING, DIAPHRAGM	1	
15	5DM-14112-00-00	. VALVE, THROTTLE 1	1	
16	4XY-1490J-00-00	. NEEDLE SET	1	
17	4XY-14105-00-00	. PILOT SCREW SET	1	
18	4XY-14118-00-00	. CAP	1	
19	98507-05016-00	. SCREW, PAN HEAD	2	
20	4KM-14194-00-00	. RING	2	
21	4SV-14985-00-00	. FLOAT	1	
22	4KM-14107-15-00	. NEEDLE VALVE SET	1	
23	1FN-14565-00-00	. SCREW	1	
24	4XV-14562-00-00	. O-RING	1	
25	1HX-14231-17-00	. JET, MAIN (# 85)	1	

CONTINUED ON NEXT FRAME ➤

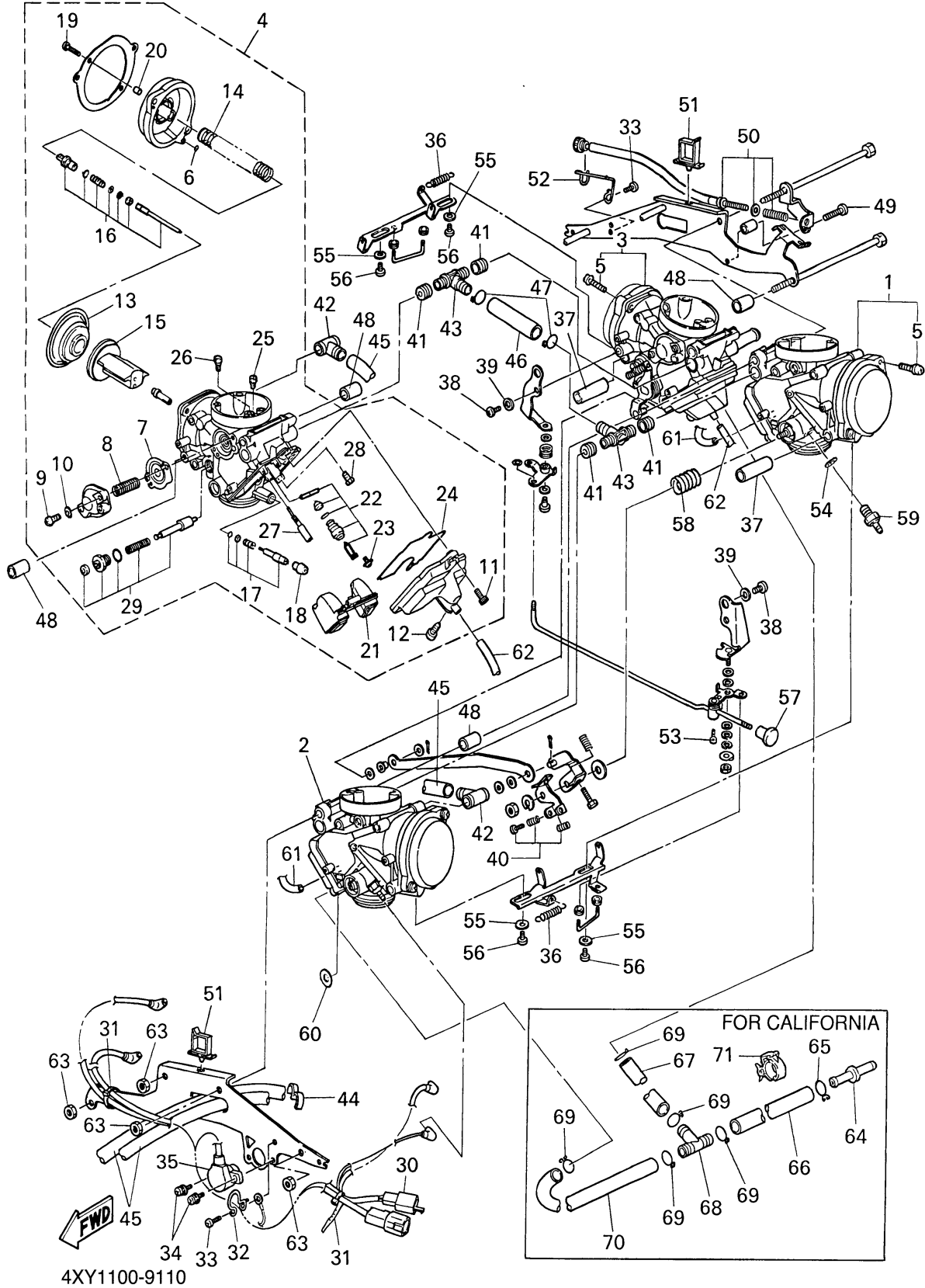
CARBURETOR



Ref. No.	Part Number	Description	Qty	Remarks
26	1HX-14231-28-00	. JET, MAIN (#140)	1	
27	4KM-14142-15-00	. JET, PILOT (# 15)	1	
28	3G2-14231-24-00	. JET, MAIN (#120)	1	UR #4
	3G2-1423A-74-00	. JET, MAIN (#117.5)	1	UR #3
	3G2-1423A-75-00	. JET, MAIN (#122.5)	1	UR #1,2
29	4SV-1410A-00-00	. STARTER SET	1	
30	4XY-81517-00-00	WIRE, SUB LEAD	1	
31	35H-14139-00-00	CLIP, PIPE	4	
32	4XY-14159-00-00	CLIP	1	
33	98507-05006-00	SCREW, PAN HEAD	2	
34	4WM-14565-00-00	SCREW	2	
35	4XY-85885-00-00	THROTTLE SENSOR ASSEMBLY	1	
36	5DM-14935-00-00	SPRING	2	
37	4XY-14148-00-00	PIPE	2	
38	98507-05010-00	SCREW, PAN HEAD	2	
39	92907-05100-00	WASHER, SPRING	2	
40	3EN-1490K-00-00	STOP SCREW SET	2	
41	3EN-14997-00-00	SEAL	4	
42	5DM-14396-10-00	PIPE	2	
43	4XY-14251-00-00	NIPPLE	2	
44	90464-10075-00	CLAMP	1	
45	4XY-14349-00-00	PIPE	2	
46	4XY-14349-10-00	PIPE	1	
47	4NK-14137-00-00	CLIP	2	
48	4XY-14148-10-00	PIPE	4	
49	98507-05020-00	. SCREW, PAN HEAD	1	
50	4XY-14103-00-00	THROTTLE SCREW SET	1	
51	4XY-14137-00-00	CLIP	2	

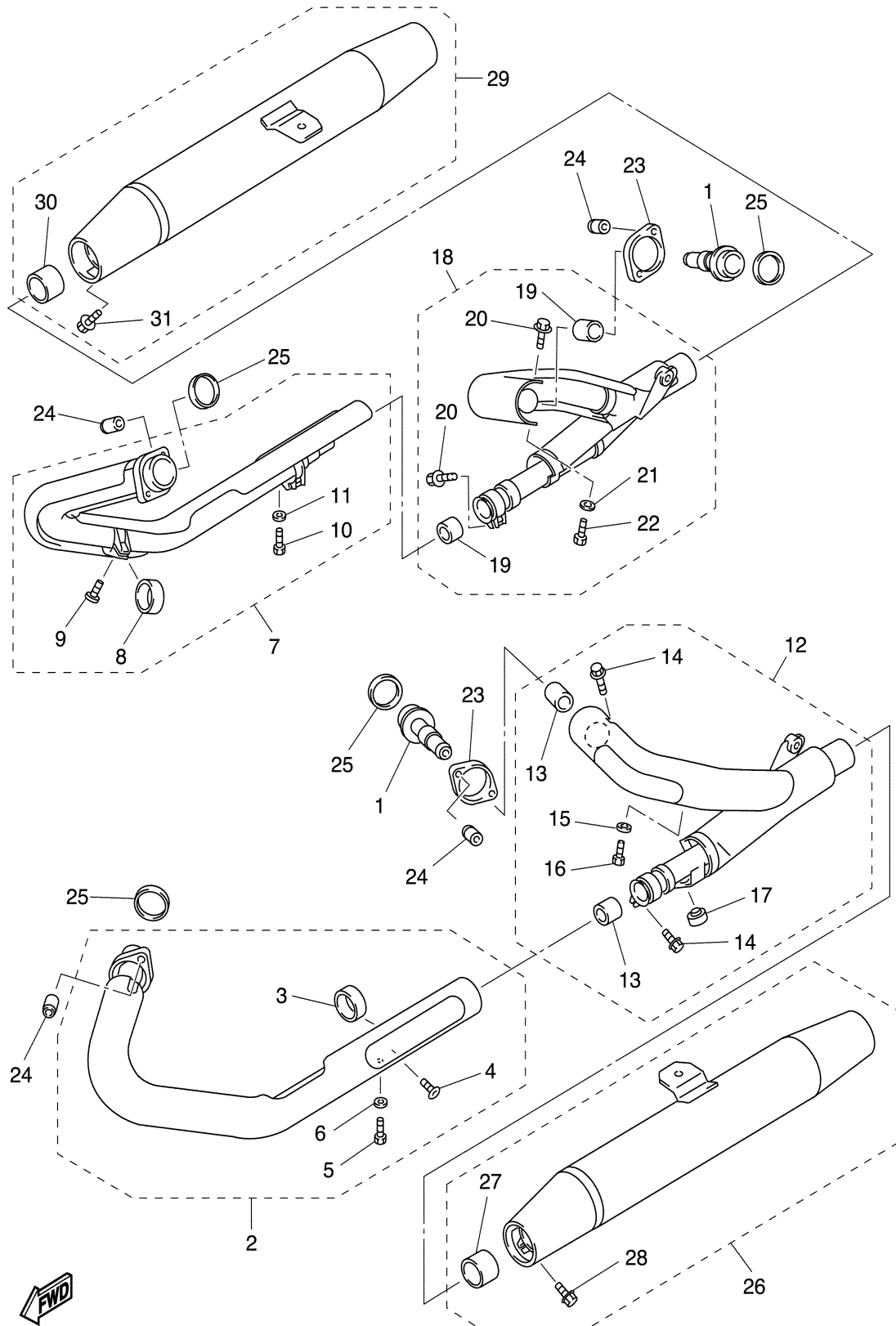
CONTINUED ON NEXT FRAME ►

CARBURETOR



Ref. No.	Part Number	Description	Qty	Remarks
52	4XY-14139-00-00	CLIP, PIPE	1	
53	4XY-14565-00-00	SCREW	1	
54	90201-085R5-00	WASHER, PLATE	4	
55	4NK-14327-00-00	PACKING	4	
56	4XY-24453-10-00	SCREW	4	
57	4XY-14261-00-00	HOLDER	1	
58	4XY-14286-00-00	SPRING	1	
59	4TR-83790-00-00	HEATER ASSEMBLY (15W) ...	4	
60	4KG-14285-00-00	WASHER	1	
61	3JD-14197-00-00	PIPE	2	
62	4FU-14197-00-00	PIPE	2	
63	95307-06600-00	NUT	4	
64	4XY-14568-00-00	JOINT	1	
65	90467-10041-00	CLIP	1	
66	4XY-14349-20-00	PIPE	1	
67	51L-14987-00-00	HOSE	1	
68	3H3-24376-00-00	PIPE, JOINT 1	1	
69	3UH-14937-00-00	CLIP	5	
70	3UH-14294-00-00	HOSE	1	
71	90464-15192-00	CLAMP	1	

EXHAUST



Ref. No.	Part Number	Description	Qty	Remarks
1	4YE-14614-00-00	FLANGE, EXHAUST PIPE	2	
2	4NK-14620-00-00	EXHAUST PIPE ASSEMBLY 2	1	
3	4NK-14714-00-00	. GASKET, MUFFLER	2	
4	92017-08025-00	. BOLT, BUTTON HEAD	2	
5	97080-06008-00	. BOLT	1	
6	92990-06600-00	. WASHER, PLATE	1	
7	4NK-14650-00-00	EXHAUST PIPE ASSEMBLY 4	1	
8	4NK-14714-00-00	. GASKET, MUFFLER	2	
9	92017-08025-00	. BOLT, BUTTON HEAD	2	
10	97080-06008-00	. BOLT	1	
11	92990-06600-00	. WASHER, PLATE	1	
12	4XY-14730-00-00	CHAMBER ASSEMBLY	1	
13	4BH-14714-00-00	. GASKET, MUFFLER	2	
14	95024-08020-00	. BOLT, FLANGE	2	
15	92990-06600-00	. WASHER, PLATE	1	
16	97080-06008-00	. BOLT	1	
17	116-27114-00-00	. STOPPER, MAIN STAND	1	
18	4XY-14730-10-00	CHAMBER ASSEMBLY	1	
19	4BH-14714-00-00	. GASKET, MUFFLER	2	
20	95024-08020-00	. BOLT, FLANGE	2	
21	92990-06600-00	. WASHER, PLATE	1	
22	97080-06008-00	. BOLT	1	
23	4KG-14612-00-00	NUT, RING	2	
24	90179-08442-00	NUT	8	
25	3GD-14613-00-00	GASKET, EXHAUST PIPE	4	
26	4XY-14710-00-00	MUFFLER ASSEMBLY 1	1	
27	3XW-14714-00-00	. GASKET, MUFFLER	1	
28	95814-08025-00	. BOLT, FLANGE	1	
29	4XY-14720-00-00	MUFFLER ASSEMBLY 2	1	

CONTINUED ON NEXT FRAME ►

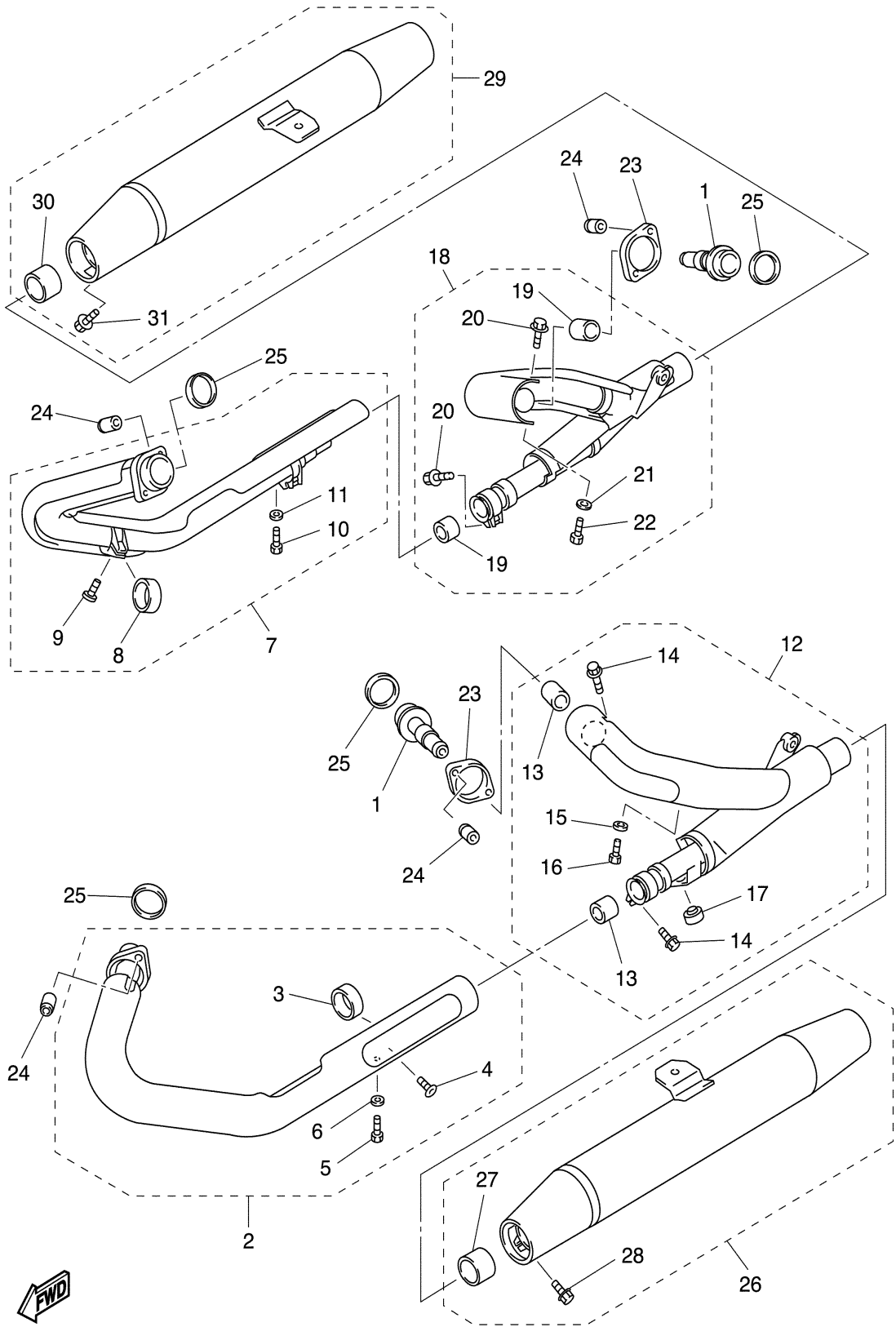


4XY1100-9130

XVZ13TFL_LC

EXHAUST

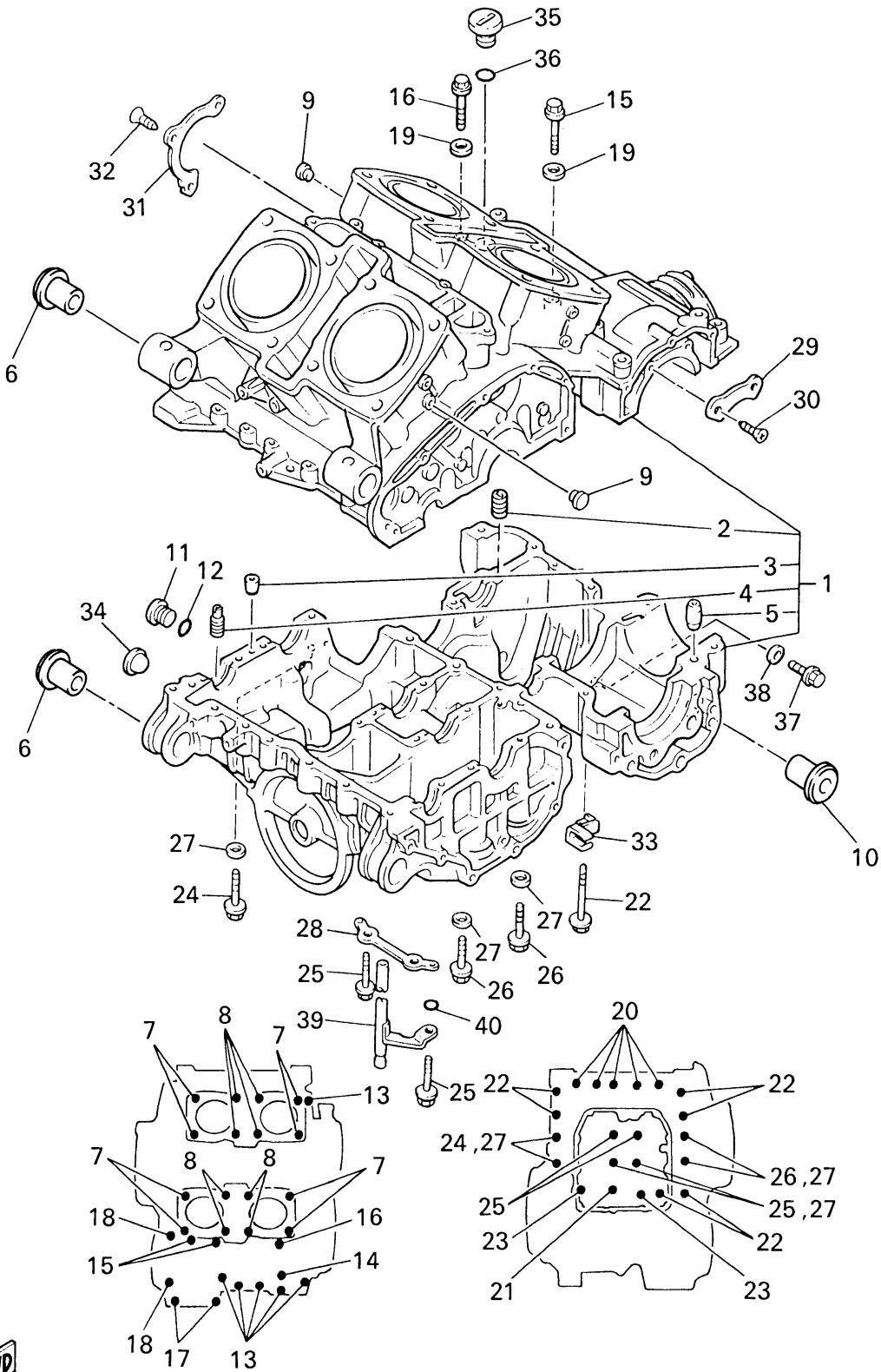
Ref. No.	Part Number	Description	Qty	Remarks
30	3XW-14714-00-00	. GASKET, MUFFLER	1	
31	95814-08025-00	. BOLT, FLANGE	1	



4XY1100-9130

XVZ13TFL_LC

CRANKCASE



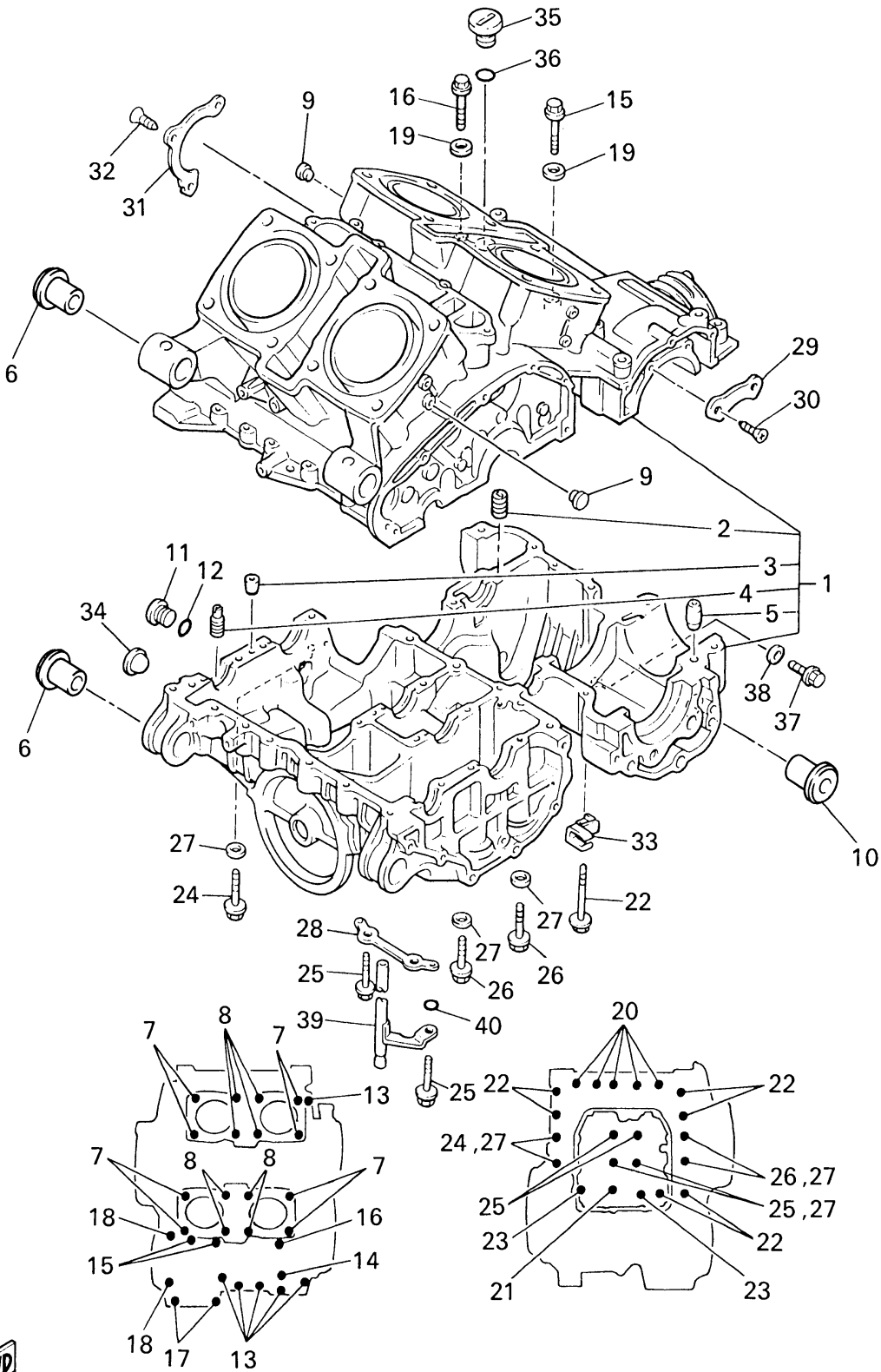
Ref. No.	Part Number	Description	Qty	Remarks
1	4XY-15100-00-00	CRANKCASE ASSEMBLY	1	
2	26H-15138-00-00	. NOZZLE 1	1	
3	26H-15148-00-00	. NOZZLE 2	1	
4	4G0-15138-00-00	. NOZZLE 1	1	
5	99530-10114-00	. PIN, DOWEL	1	
6	4XY-15541-00-00	COLLAR	4	
7	90116-10411-00	BOLT, STUD	8	
8	90116-10429-00	BOLT, STUD	8	
9	90338-11152-00	PLUG	4	
10	4XY-15542-00-00	COLLAR 2	2	
11	4H7-15189-00-00	PLUG	1	
12	93210-22382-00	O-RING	1	
13	95814-06045-00	BOLT, FLANGE	6	
14	95814-06070-00	BOLT, FLANGE	1	
15	95814-06090-00	BOLT, FLANGE	2	
16	95817-06095-00	BOLT, FLANGE	1	
17	95814-08045-00	BOLT, FLANGE	2	
18	95814-08080-00	BOLT, FLANGE	2	
19	90430-06166-00	GASKET	2	
20	95817-08050-00	BOLT, FLANGE	5	
21	95817-08065-00	BOLT, FLANGE	1	
22	95814-08080-00	BOLT, FLANGE	6	
23	95817-08095-00	BOLT, FLANGE	2	
24	90109-103G0-00	BOLT	2	
25	90105-10248-00	BOLT, WASHER BASED	4	
26	90105-10249-00	BOLT, WASHER BASED	2	
27	90201-11597-00	WASHER, PLATE	6	
28	26H-15113-00-00	PLATE	1	
29	26H-15381-00-00	PLATE, BEARING COVER	2	

CONTINUED ON NEXT FRAME ➤



4XY1100-9140

CRANKCASE

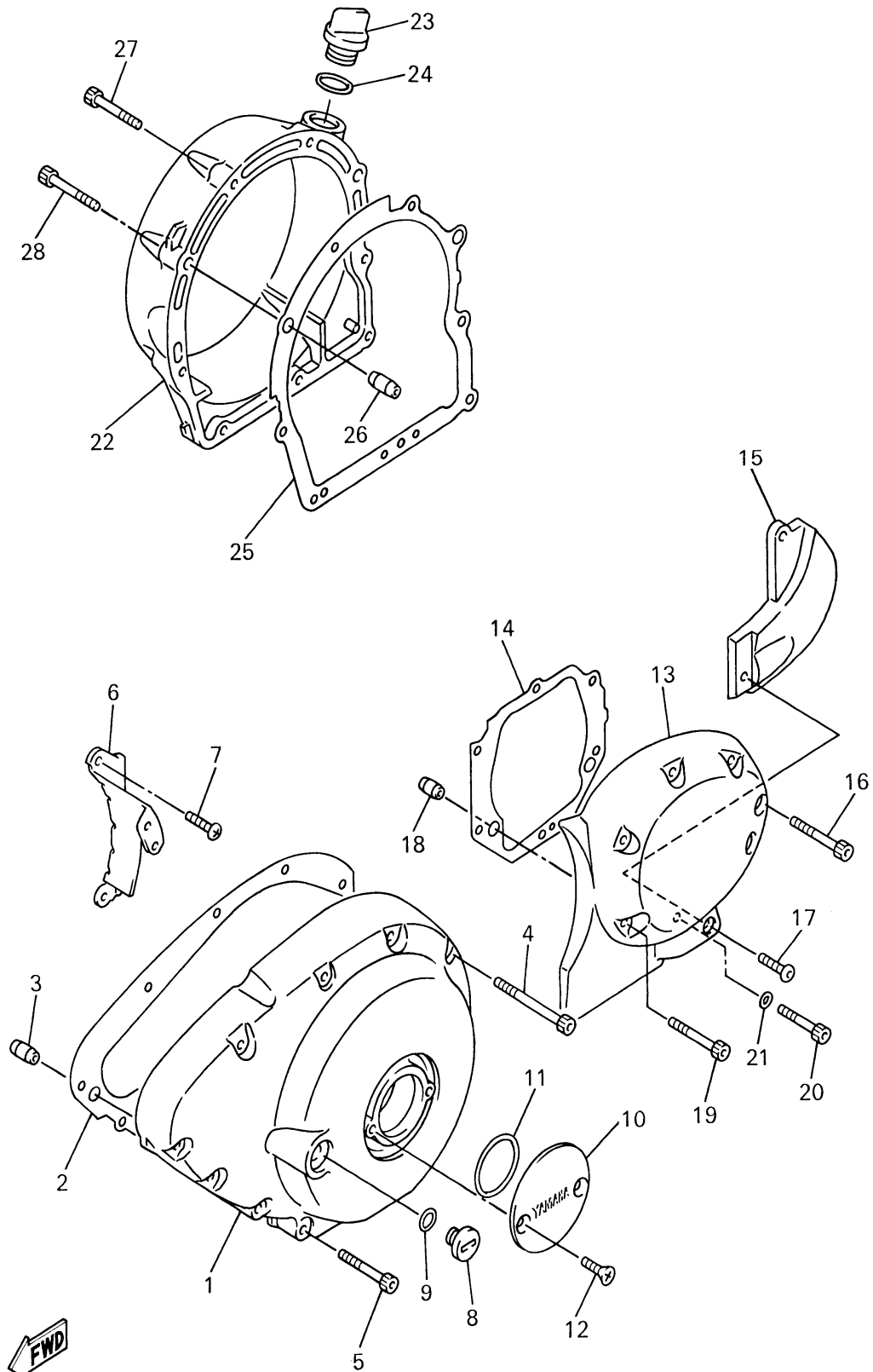


Ref. No.	Part Number	Description	Qty	Remarks
30	90149-08152-00	SCREW	4	
31	26H-15383-00-00	PLATE, BEARING COVER	1	
32	90151-06041-00	SCREW, COUNTERSUNK	3	
33	90465-08233-00	CLAMP	1	
34	2H7-15361-00-00	GAUGE, LEVEL	1	
35	4NK-15363-00-00	PLUG, OIL	1	
36	93210-27370-00	O-RING	1	
37	95807-12016-00	BOLT, FLANGE	1	
38	90201-12790-00	WASHER, PLATE	1	
39	26H-15373-00-00	PIPE, BREATHER	1	
40	93210-06667-00	O-RING	1	



4XY1100-9140

CRANKCASE COVER 1

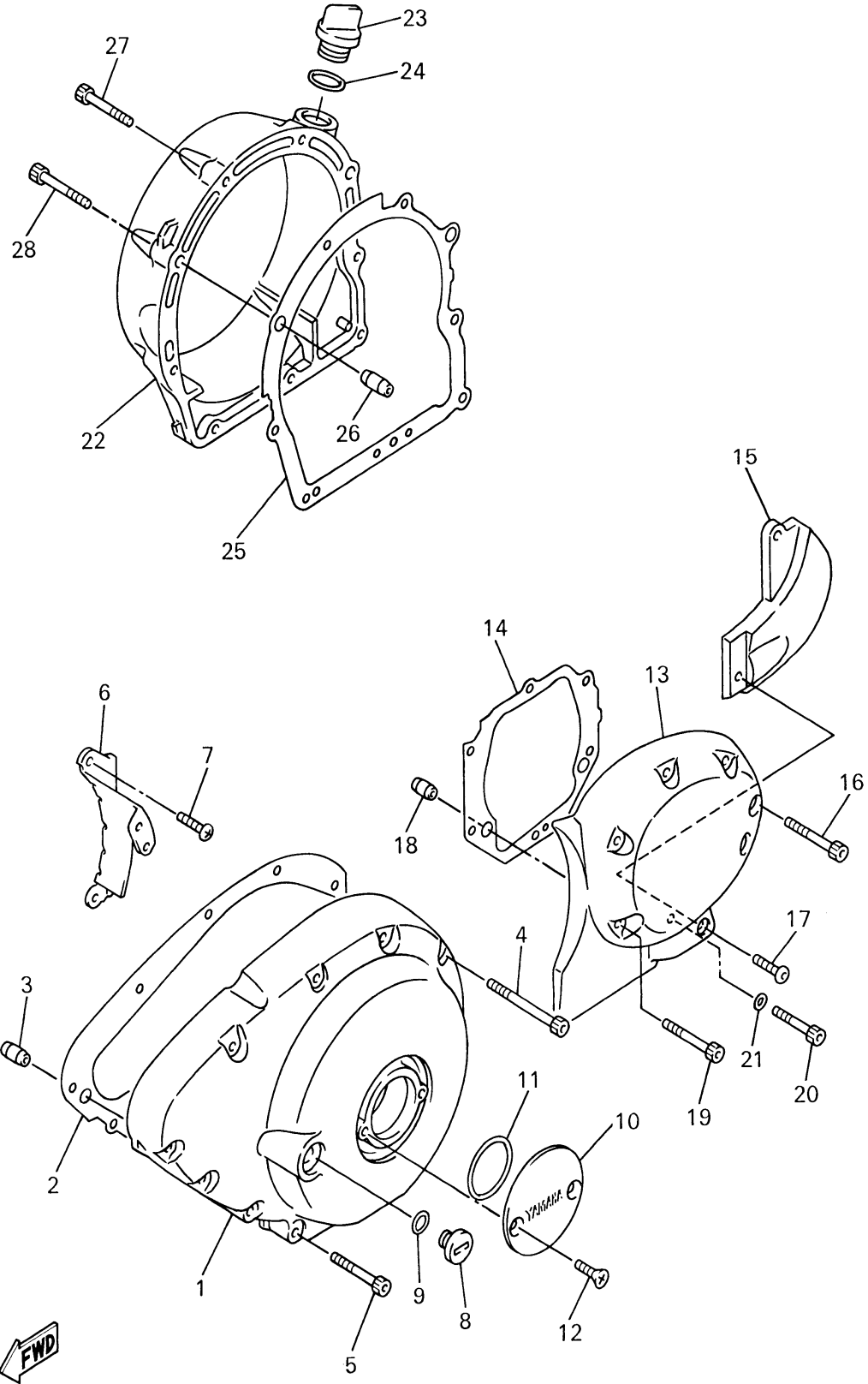


Ref. No.	Part Number	Description	Qty	Remarks
1	4NK-15411-00-00	COVER, CRANKCASE 1	1	
2	4NK-15451-00-00	GASKET, CRANKCASE COVER 1	1	
3	99530-10114-00	PIN, DOWEL	2	
4	91314-06060-00	BOLT	4	
5	91314-06045-00	BOLT	7	
6	4NK-15191-00-00	PLATE	1	
7	98507-06016-00	SCREW, WITH WASHER	1	
8	90340-14139-00	PLUG, STRAIGHT SCREW	1	
9	93210-14369-00	O-RING	1	
10	4NK-15427-00-00	COVER, CAP 2	1	
11	93210-45150-00	O-RING	1	
12	98704-06016-00	SCREW, FLAT HEAD	2	
13	4NK-15421-00-00	COVER, CRANKCASE 2	1	
14	3JP-15461-01-00	GASKET, CRANKCASE COVER 2	1	
15	4NK-15423-00-00	COVER 2	1	
16	91314-06025-00	BOLT	1	
17	92014-06014-00	BOLT, BUTTON HEAD	1	
18	99530-10114-00	PIN, DOWEL	2	
19	91314-06045-00	BOLT	3	
20	91314-06035-00	BOLT	3	
21	90430-06014-00	GASKET	1	
22	4NK-15431-00-00	COVER, CRANKCASE 3	1	
23	2H7-15363-00-00	PLUG, OIL	1	
24	93210-27370-00	O-RING	1	
25	4NK-15462-00-00	GASKET, CRANKCASE COVER 3	1	
26	99530-10114-00	PIN, DOWEL	2	
27	91314-06025-00	BOLT	7	

CONTINUED ON NEXT FRAME ►

FWD
4YE100-7140

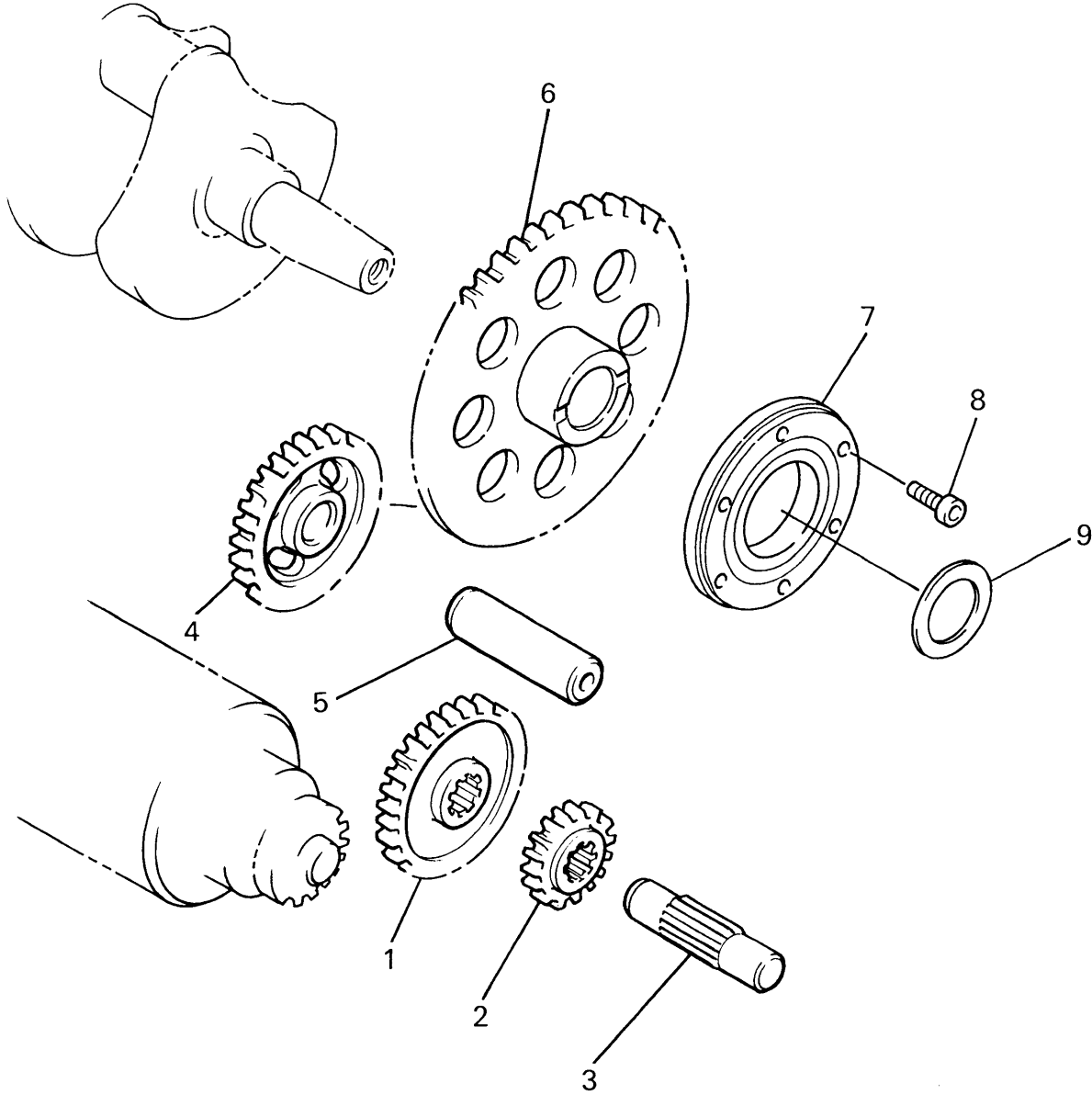
CRANKCASE COVER 1



Ref. No.	Part Number	Description	Qty	Remarks
28	91314-06035-00	BOLT	2	

FWD
4YE100-7140

STARTER CLUTCH

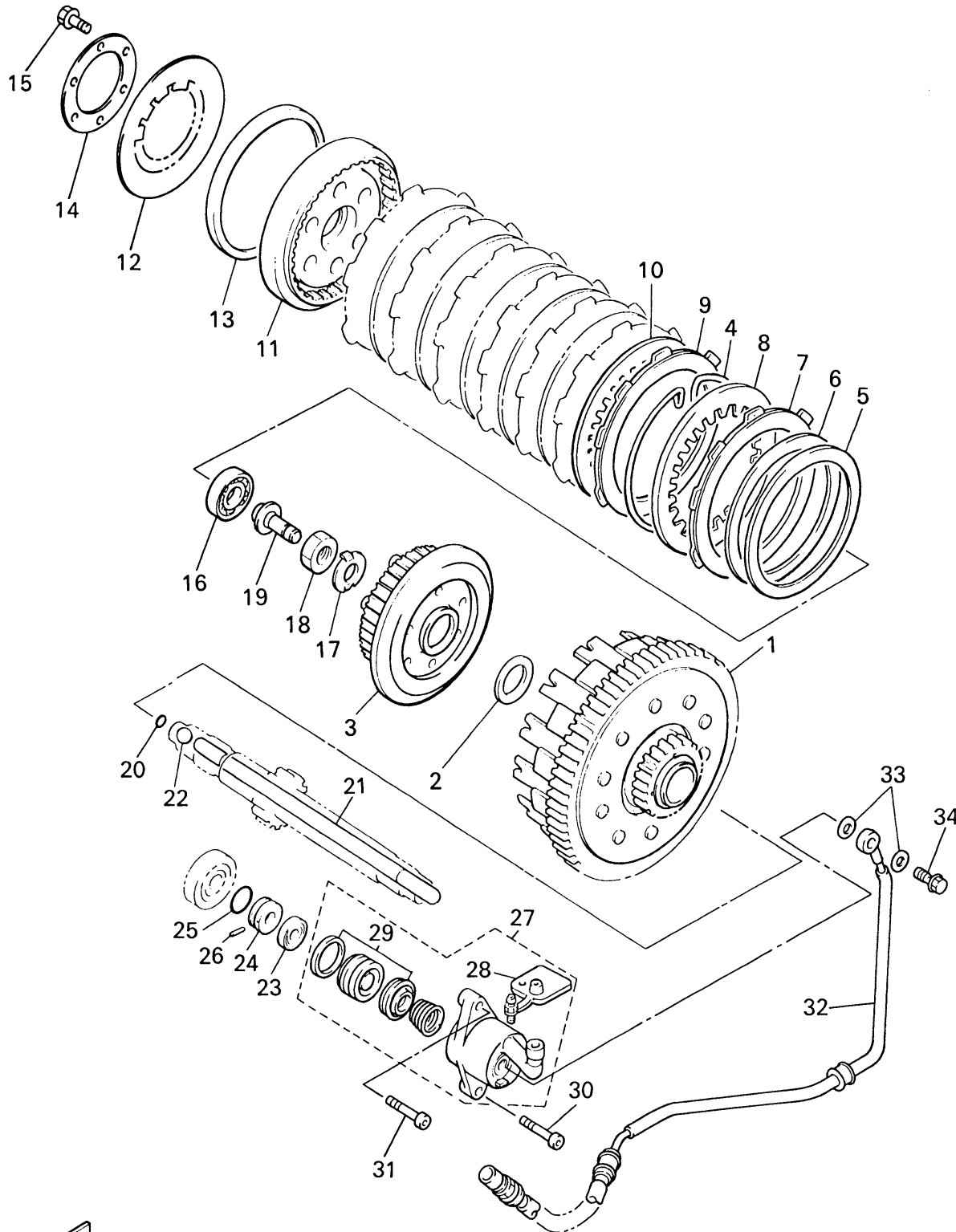


Ref. No.	Part Number	Description	Qty	Remarks
1	26H-15514-00-00	GEAR 2 (42T)	1	
2	26H-15515-00-00	GEAR 3 (13T)	1	
3	26H-15522-00-00	SHAFT 2	1	
4	26H-15512-00-00	GEAR, IDLER 1 (27T)	1	
5	26H-15521-00-00	SHAFT 1	1	
6	4NK-15517-00-00	GEAR, IDLER 2 (76T)	1	
7	4NK-15590-00-00	STARTER ONE-WAY ASSEMBLY	1	
8	90110-08193-00	BOLT, HEXAGON SOCKET HEAD	6	
9	90201-350F3-00	WASHER, PLATE	1	



4NK110-6150

CLUTCH



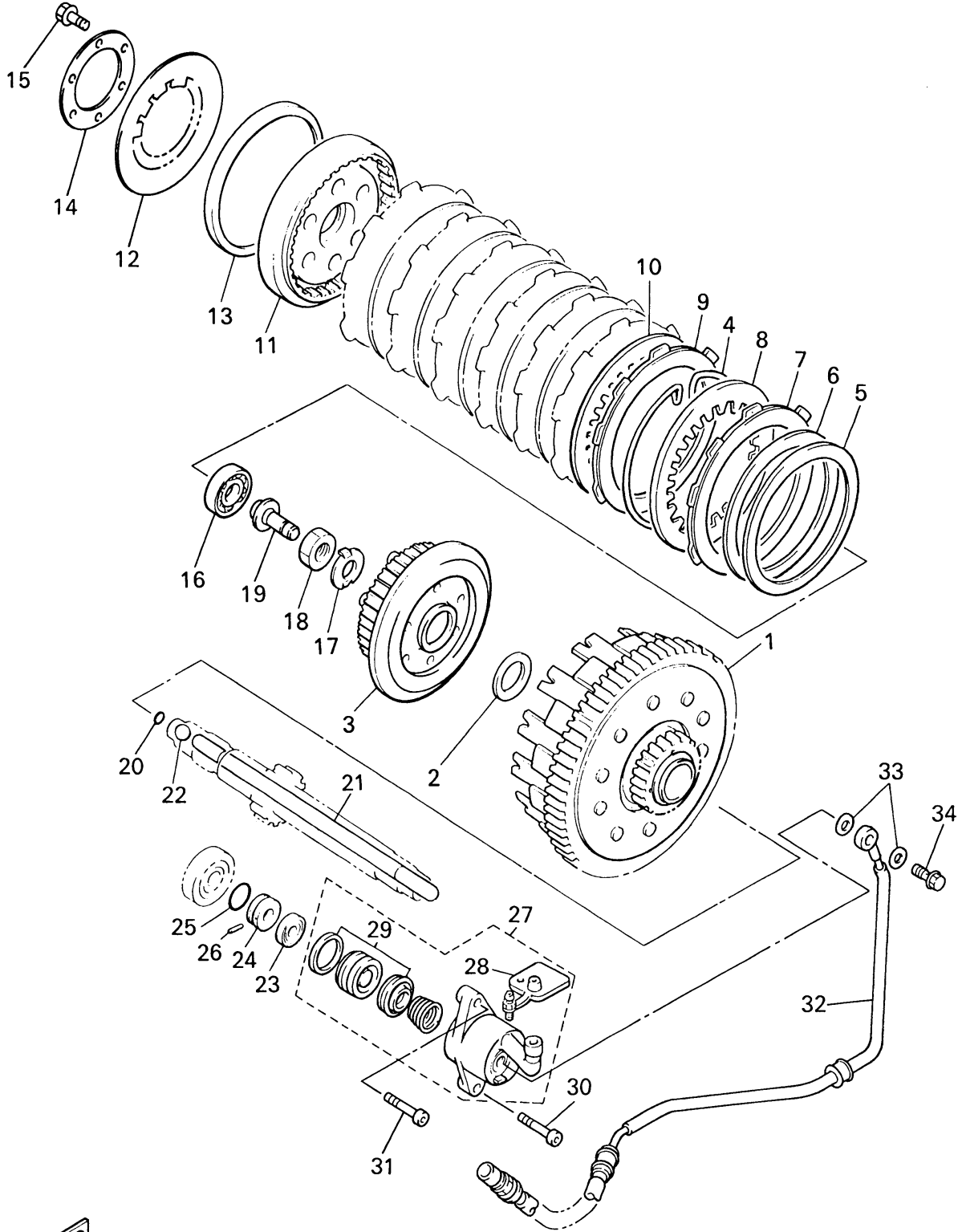
Ref. No.	Part Number	Description	Qty	Remarks
1	26H-16150-10-00	PRIMARY DRIVEN GEAR COMP.	1	
2	26H-16154-00-00	PLATE, THRUST 1	1	
3	4XY-16371-00-00	BOSS, CLUTCH	1	
4	26H-16385-00-00	RING, CLUTCH BOSS	1	
5	26H-16384-00-00	PLATE, SEAT	1	
6	1FK-16383-00-00	SPRING, CLUTCH BOSS	1	
7	26H-16321-00-00	PLATE, FRICTION	1	
8	26H-16324-00-00	PLATE, CLUTCH 1	1	
9	26H-16307-00-00	PLATE, FRICTION 3	7	
10	26H-16324-00-00	PLATE, CLUTCH 1	6	
11	1FK-16351-00-00	PLATE, PRESSURE 1	1	
12	1FK-16334-00-00	SPRING, CLUTCH 2	1	
13	1FK-16335-00-00	HOUSING, SPRING	1	
14	1FK-16352-00-00	PLATE, PRESSURE 2	1	
15	97007-06025-00	BOLT	6	
16	93306-00304-00	BEARING (B6003C4)	1	
17	90215-25218-00	WASHER, LOCK	1	
18	90170-20323-00	NUT	1	
19	4KG-16356-00-00	ROD, PUSH 1	1	
20	93210-06632-00	O-RING	1	
21	4NK-16357-00-00	ROD, PUSH 2	1	
22	93511-32017-00	BALL	1	
23	93109-08061-00	OIL SEAL	1	
24	26H-16399-00-00	GUIDE, PUSH ROD	1	
25	93210-18322-00	O-RING	1	
26	93603-07073-00	PIN, DOWEL	1	
27	1FK-16381-11-00	PUSH LEVER COMP.	1	
28	1NL-W0048-00-00	. BLEED SCREW KIT	1	

CONTINUED ON NEXT FRAME ►



4XY1100-9170

CLUTCH

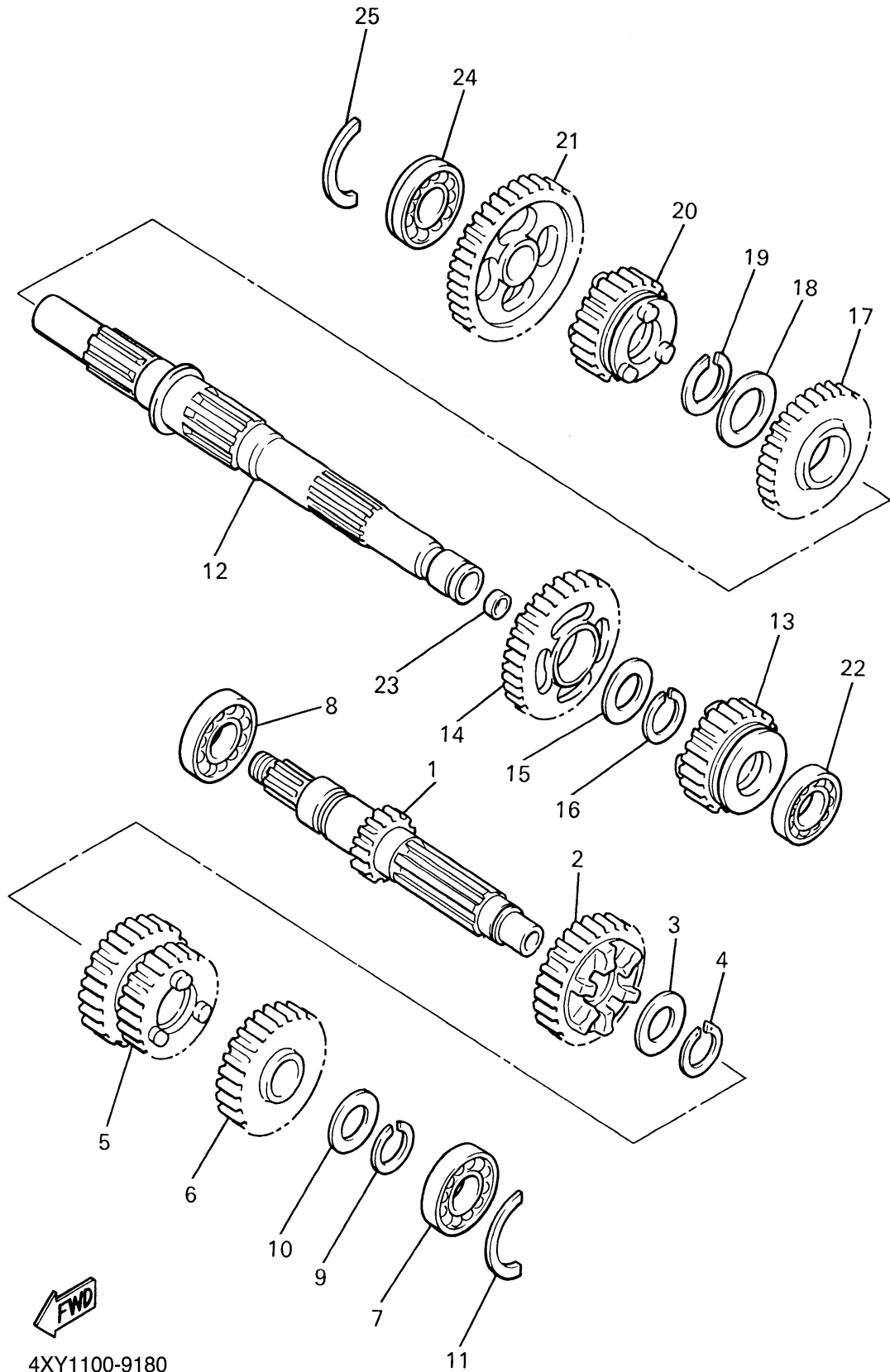


Ref. No.	Part Number	Description	Qty	Remarks
29	26H-W0098-00-00	. PUSH LEVER SEAL KIT	1	
30	90110-06035-00	BOLT, HEXAGON SOCKET HEAD	1	
31	90110-06243-00	BOLT, HEXAGON SOCKET HEAD	1	
32	4NK-1638A-00-00	PIPE, CLUTCH 1	1	
33	90201-10118-00	WASHER, PLATE	2	
34	90401-10159-00	BOLT, UNION	1	



4XY1100-9170

TRANSMISSION

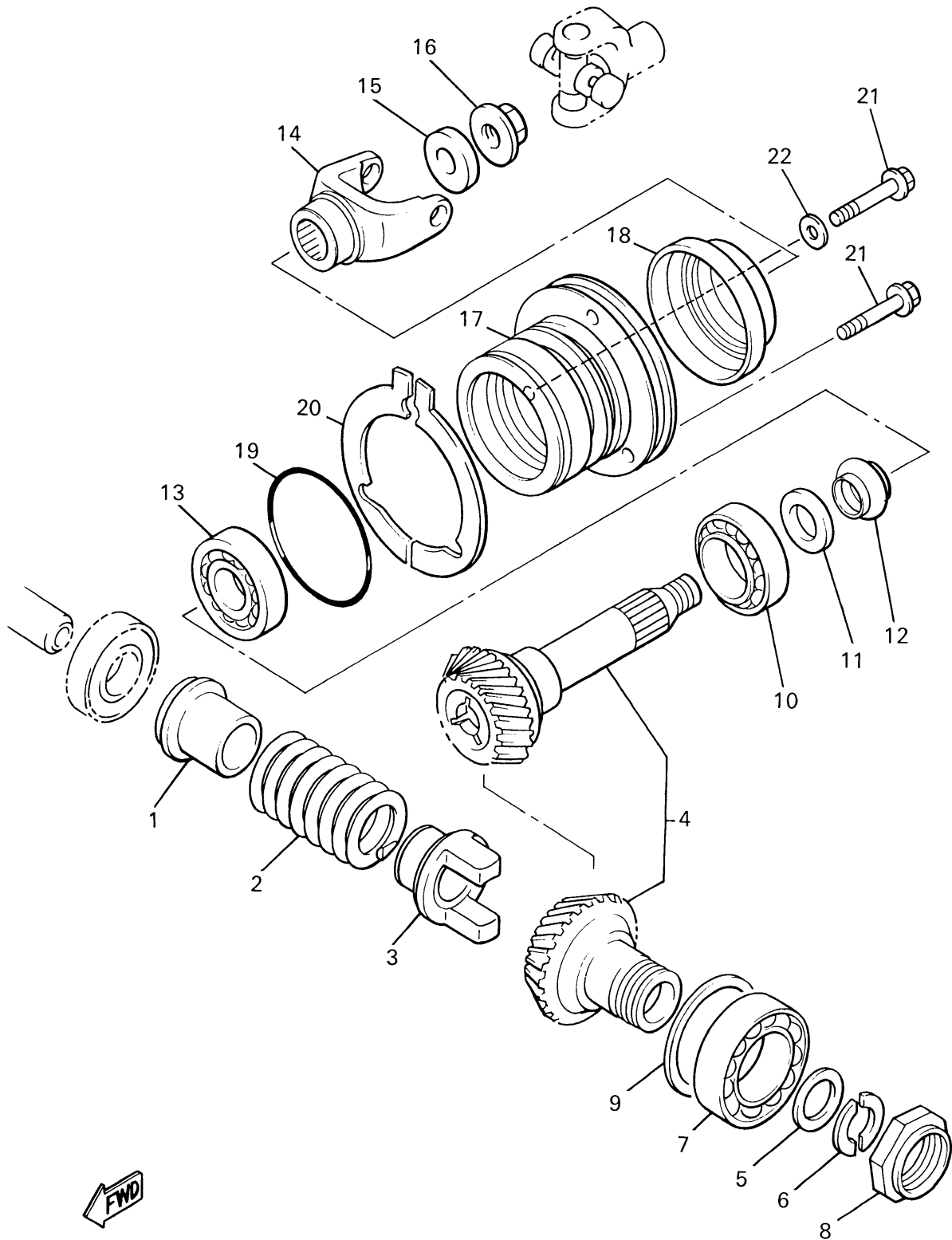


Ref. No.	Part Number	Description	Qty	Remarks
1	4XY-17411-00-00	AXLE, MAIN (17T)	1	
2	4XY-17141-00-00	GEAR, 4TH PINION (25T)	1	
3	90209-25196-00	WASHER	1	
4	93440-28062-00	CIRCLIP	1	
5	4XY-17121-00-00	GEAR, 2ND/3RD PINION (19/25T)	1	
6	4XY-17151-00-00	GEAR, 5TH PINION (28T)	1	
7	93306-30430-00	BEARING	1	
8	93306-36401-00	BEARING	1	
9	93410-23056-00	CIRCLIP	1	
10	90201-232K5-00	WASHER, PLATE	1	
11	93440-52118-00	CIRCLIP	1	
12	4NK-17421-00-00	AXLE, DRIVE	1	
13	4XY-17251-00-00	GEAR, 5TH WHEEL (22T)	1	
14	4XY-17221-00-00	GEAR, 2ND WHEEL (31T)	1	
15	90209-32231-00	WASHER	1	
16	93440-34025-00	CIRCLIP	1	
17	4XY-17231-00-00	GEAR, 3RD WHEEL (30T)	1	
18	90209-27192-00	WASHER	1	
19	93440-30077-00	CIRCLIP	1	
20	4XY-17241-00-00	GEAR, 4TH WHEEL (24T)	1	
21	4XY-17211-00-00	GEAR, 1ST WHEEL (43T)	1	
22	93306-20645-00	BEARING	1	
23	90331-15039-00	PLUG	1	
24	93306-20555-00	BEARING	1	
25	93440-52118-00	CIRCLIP	1	

4XY1100-9180



MIDDLE DRIVE GEAR

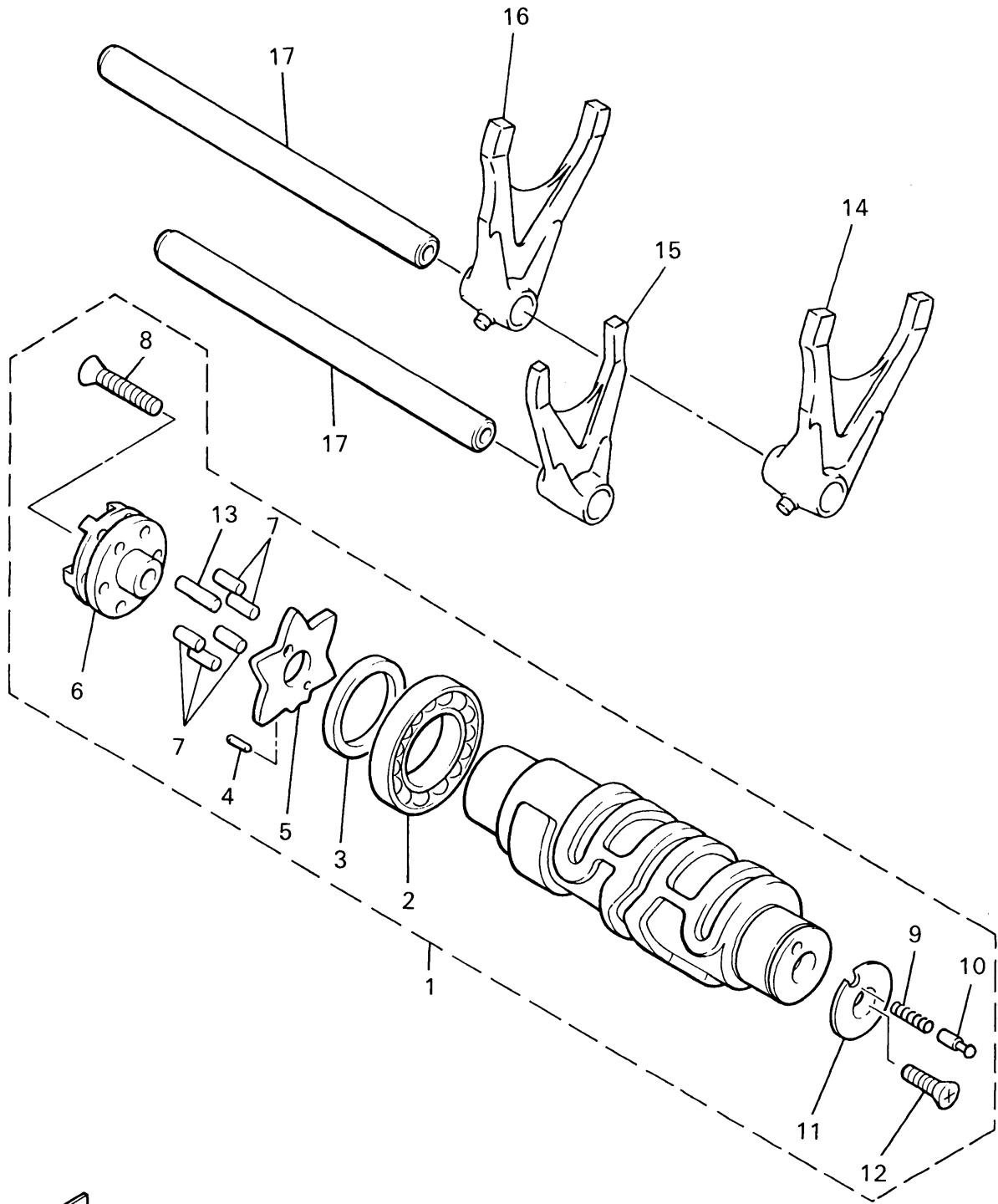


Ref. No.	Part Number	Description	Qty	Remarks
1	2WE-17524-00-00	HOLDER	1	
2	90501-75638-00	SPRING, COMPRESSION	1	
3	2WE-17527-00-00	CAM, DRIVEN	1	
4	26H-W1751-01-00	MIDDLE GEAR COMP.	1	
5	90201-252K4-00	WASHER, PLATE	1	
6	90209-21281-00	WASHER	2	
7	93306-20901-00	BEARING (B6209RSH2-C2)	1	
8	90179-44328-00	NUT	1	
9	4X7-17531-00-15	SHIM, PINION (0.15T)	1	UR
	4X7-17531-00-30	SHIM, PINION (0.30T)	1	UR
	4X7-17531-00-50	SHIM, PINION (0.50T)	1	UR
10	93332-00028-00	BEARING	1	
11	90201-25634-00	WASHER, PLATE	1	
12	2H7-17571-01-00	SPACER, EXPANSION	1	
13	93332-00024-00	BEARING	1	
14	26H-17556-00-00	YOKE, JOINT	1	
15	90201-166R6-00	WASHER, PLATE	1	
16	90179-16662-00	NUT	1	
17	26H-17551-00-00	HOUSING, BEARING	1	
18	93101-35085-00	OIL SEAL	1	
19	93210-71360-00	O-RING	1	
20	3UF-17531-00-00	SHIM, PINION (0.10T)	2	UR
	3UF-17531-10-00	SHIM, PINION (0.15T)	2	UR
	3UF-17531-20-00	SHIM, PINION (0.20T)	2	UR
	3UF-17531-30-00	SHIM, PINION (0.30T)	2	UR
	3UF-17531-40-00	SHIM, PINION (0.40T)	2	UR
	3UF-17531-50-00	SHIM, PINION (0.50T)	2	UR
21	95827-08030-00	BOLT, FLANGE	3	
22	90201-08676-00	WASHER, PLATE	1	



4NK110-6180

SHIFT CAM - FORK

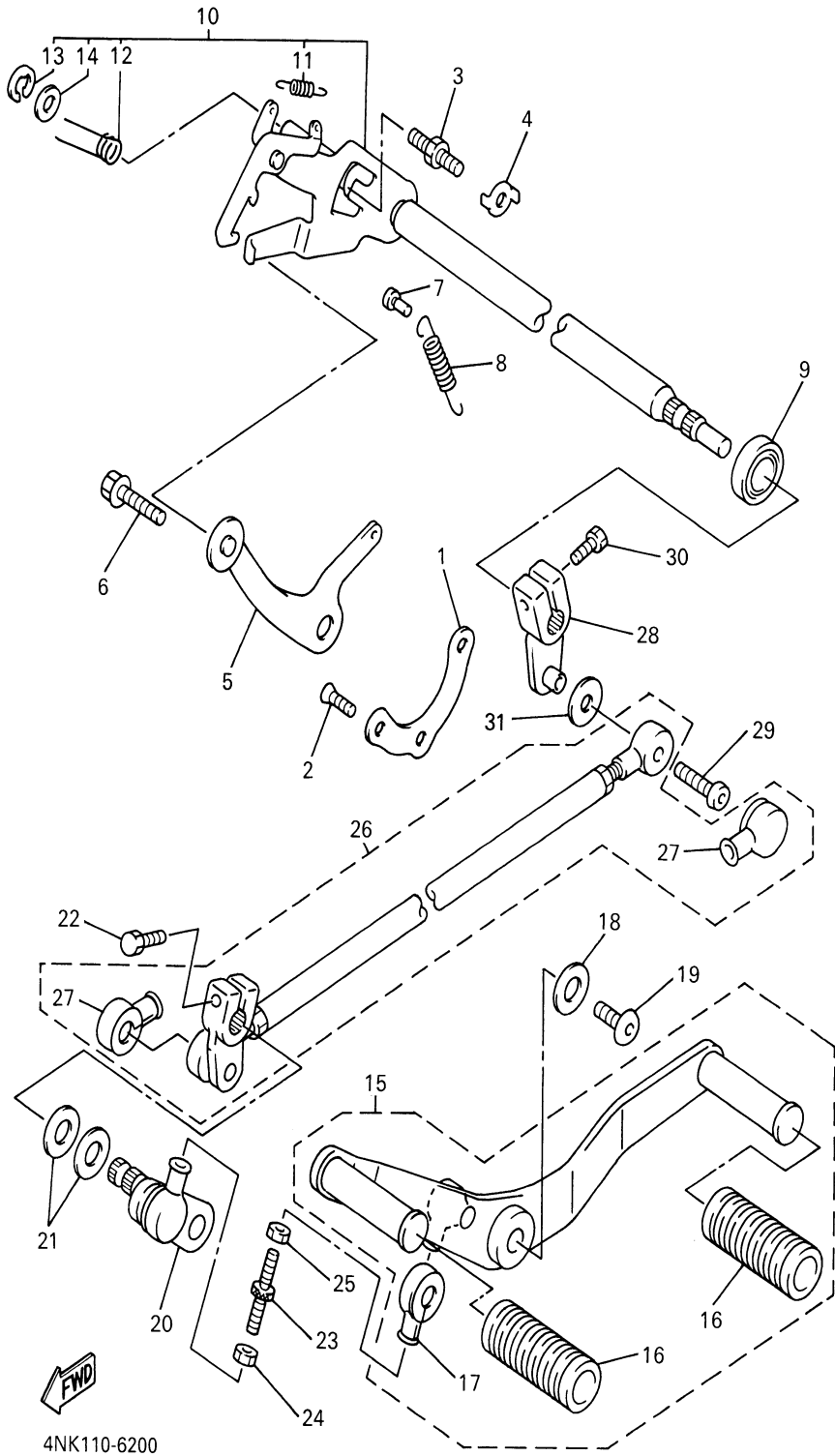


Ref. No.	Part Number	Description	Qty	Remarks
1	4NK-18540-03-00	SHIFT CAM ASSEMBLY	1	
2	93306-90602-00	. BEARING	1	
3	90560-30234-00	. SPACER	1	
4	93603-10049-00	. PIN, DOWEL	1	
5	4NK-18141-00-00	. PLATE, STOPPER	1	
6	4NK-18185-00-00	. SEGMENT	1	
7	93604-12037-00	. PIN, DOWEL	5	
8	90151-06013-00	. SCREW, COUNTERSUNK	1	
9	90501-06022-00	. SPRING, COMPRESSION	1	
10	4UN-18542-00-00	. POINT, NEUTRAL	1	
11	4UN-18566-00-00	. PLATE, SIDE 2	1	
12	90149-05321-00	. SCREW	1	
13	93604-16092-00	. PIN, DOWEL	1	
14	4NK-18511-00-00	FORK, SHIFT 1	1	
15	4NK-18512-00-00	FORK, SHIFT 2	1	
16	4NK-18513-00-00	FORK, SHIFT 3	1	
17	4NK-18531-00-00	BAR, SHIFT FORK GUIDE 1	2	



4NK7100-8190

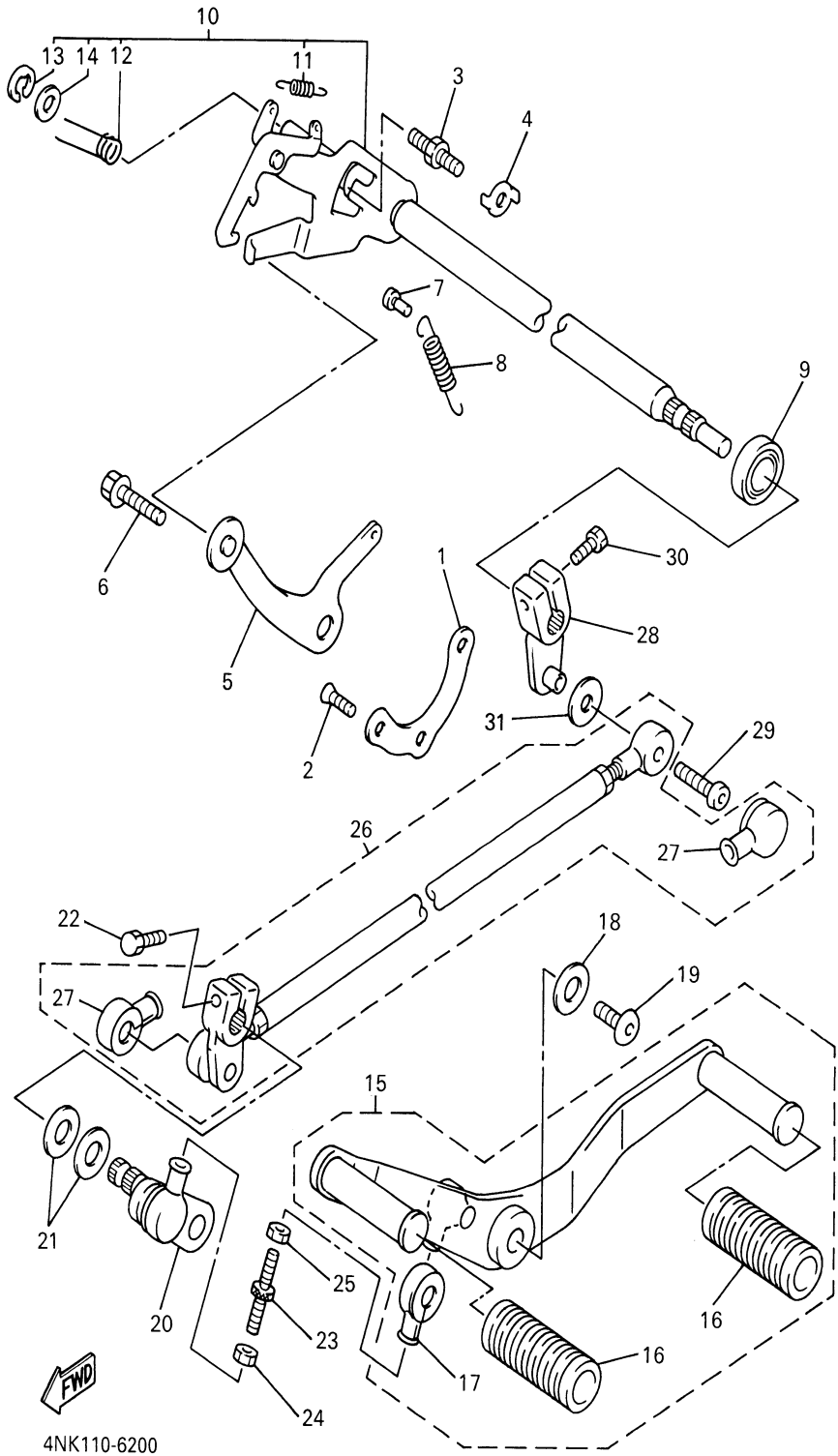
SHIFT SHAFT



Ref. No.	Part Number	Description	Qty	Remarks
1	26H-18536-00-00	STOPPER, SHIFT BAR	1	
2	90151-06041-00	SCREW, COUNTERSUNK	3	
3	90109-08441-00	BOLT	1	
4	90215-08115-00	WASHER, LOCK	1	
5	26H-18140-01-00	STOPPER LEVER ASSEMBLY .	1	
6	90109-063F8-00	BOLT	1	
7	132-16346-00-00	HOOK, SPRING	1	
8	90507-14064-00	SPRING, TENSION	1	
9	93102-14209-00	OIL SEAL	1	
10	4NK-18101-01-00	SHIFT SHAFT ASSEMBLY	1	
11	90506-08227-00	. SPRING, TENSION	1	
12	90508-32588-00	. SPRING, TENSION	1	
13	99001-10600-00	. CIRCLIP	1	
14	90201-127E1-00	. WASHER, PLATE	1	
15	4XY-18110-00-00	SHIFT PEDAL ASSEMBLY	1	
16	4NK-18113-00-00	. COVER, SHIFT PEDAL	2	
17	2H9-18154-00-00	. COVER, DUST	1	
18	90201-06070-00	WASHER, PLATE	1	
19	90149-06280-00	SCREW	1	
20	4NK-18197-01-00	SHAFT	1	
21	90201-12688-00	WASHER, PLATE	2	
22	97024-06020-00	BOLT	1	
23	4NK-18115-00-00	ROD, SHIFT	1	
24	95304-06700-00	NUT	1	
25	90170-06228-00	NUT (COUNTERCLOCKWISE) .	1	
26	4NK-18150-02-00	SHIFT LEVER ASSEMBLY	1	
27	2H9-18154-00-00	. COVER, DUST	2	
28	4NK-18151-01-00	LEVER, SHIFT 3	1	
29	90149-06229-00	SCREW	1	

CONTINUED ON NEXT FRAME ➤

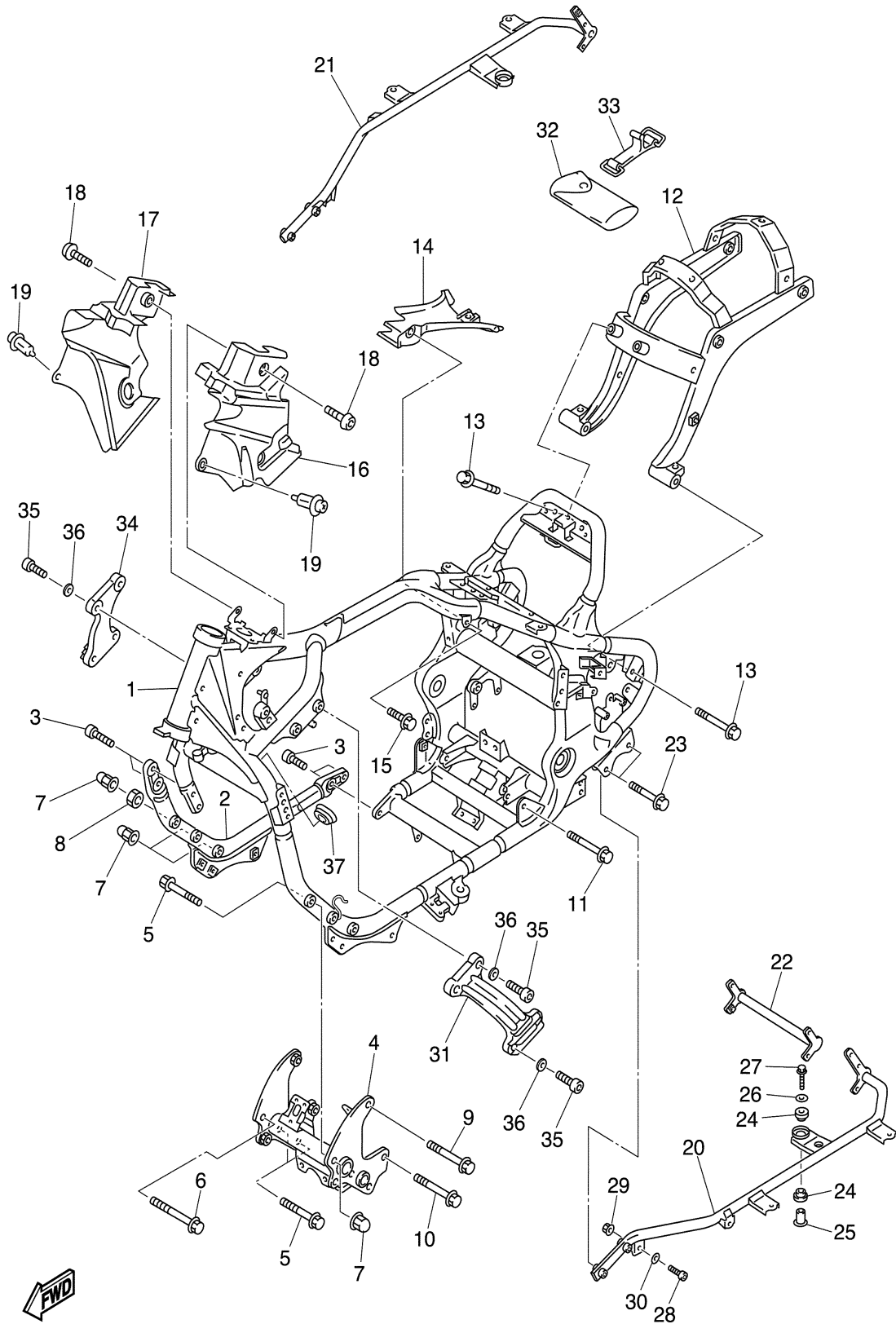
SHIFT SHAFT



4NK110-6200

Ref. No.	Part Number	Description	Qty	Remarks
30	97027-06020-00	BOLT	1	
31	90201-06589-00	WASHER, PLATE	1	

FRAME



Ref. No.	Part Number	Description	Qty	Remarks
1	4XY-21110-00-33	FRAME COMP.	1	YB
2	4XY-21150-00-33	DOWN TUBE COMP 2	1	YB
3	90110-10161-00	BOLT, HEXAGON SOCKET HEAD	4	
4	4XY-2141V-00-00	CROSS BAR COMPLETE	1	
5	95827-10070-00	BOLT, FLANGE	4	
6	95827-10080-00	BOLT, FLANGE	2	
7	90176-10075-00	NUT, CROWN	6	
8	90170-10206-00	NUT	2	
9	90105-10788-00	BOLT, WASHER BASED	2	
10	90105-10788-00	BOLT, WASHER BASED	2	
11	90105-12252-00	BOLT, WASHER BASED	2	
12	4XY-21190-00-00	REAR FRAME COMP.	1	
13	95827-10035-00	BOLT, FLANGE	4	
14	4XY-2117M-00-00	COVER 2	1	
15	90119-06236-00	BOLT, WITH WASHER	1	
16	4XY-2171E-00-00	COVER, SIDE 5	1	
17	4XY-2171X-00-00	COVER, SIDE 6	1	
18	90154-05013-00	SCREW, BINDING	2	
19	90269-06083-00	RIVET	2	
20	4XY-21445-00-00	STAY, MUFFLER 1	1	
21	4XY-21446-00-00	STAY, MUFFLER 2	1	
22	4YE-2144F-01-00	STAY, MUFFLER 3	1	
23	90105-08310-00	BOLT, WASHER BASED	4	
24	36Y-14747-00-00	DAMPER, MUFFLER	4	
25	4G0-14638-00-00	COLLAR	2	
26	90201-10669-00	WASHER, PLATE	2	
27	95807-10040-00	BOLT, FLANGE	2	
28	91317-08035-00	BOLT	2	

CONTINUED ON NEXT FRAME ►

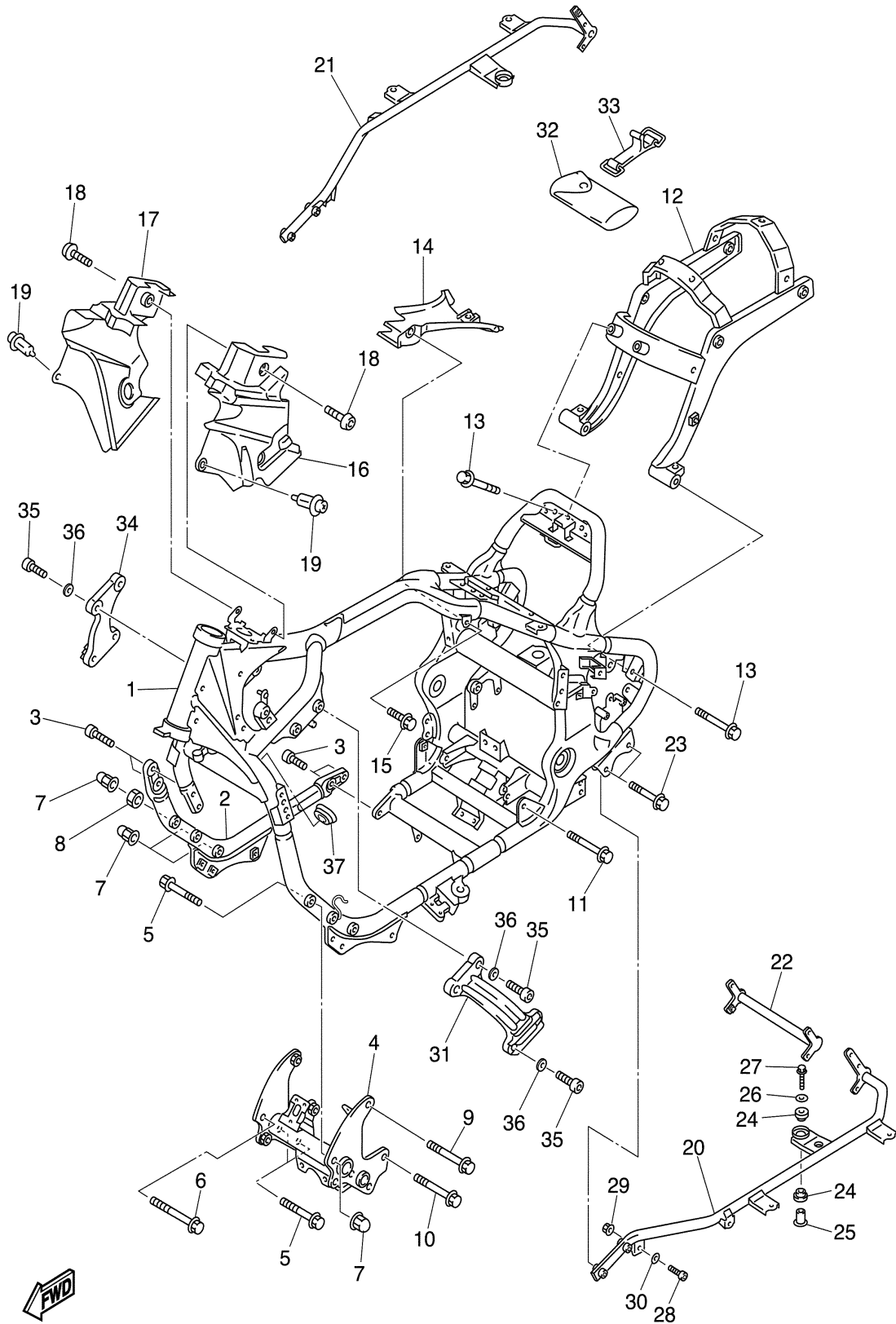


4XY1100-9220

XVZ13TFL_LC

D7

FRAME



Ref. No.	Part Number	Description	Qty	Remarks
29	95607-08200-00	NUT, SELF-LOCKING	2	
30	90201-08326-00	WASHER, PLATE	2	
31	4XY-21315-00-00	STAY, ENGINE 2	1	
32	4XY-28100-00-00	TOOL KIT	1	
33	55K-2811G-00-00	BAND	1	
34	4XY-21316-00-00	STAY, ENGINE 3	1	
35	91314-10035-00	BOLT	8	
36	92990-10600-00	WASHER, PLATE	8	
37	90480-01141-00	GROMMET	1	



4XY1100-9220

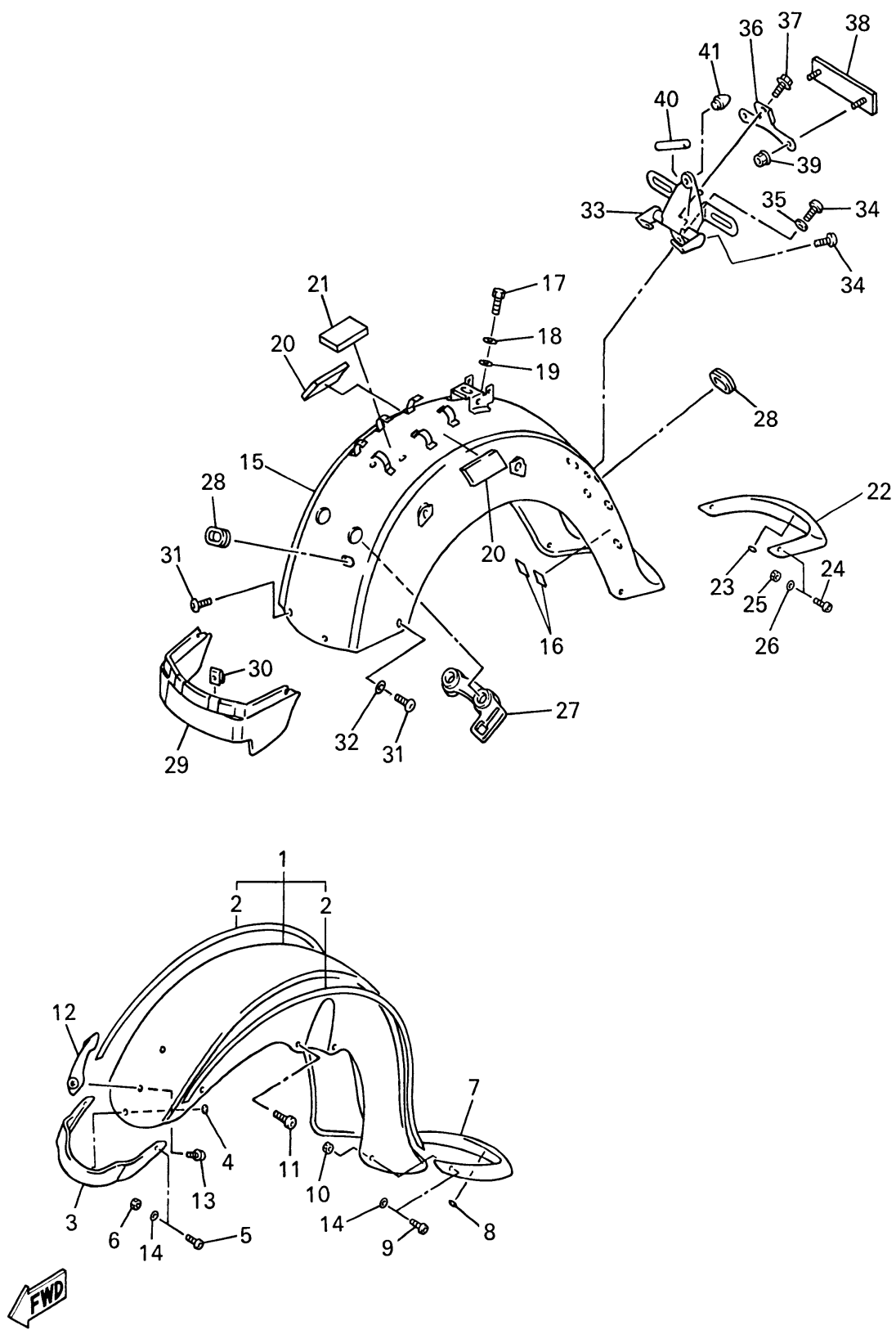
XVZ13TFL_LC

D8

FENDER

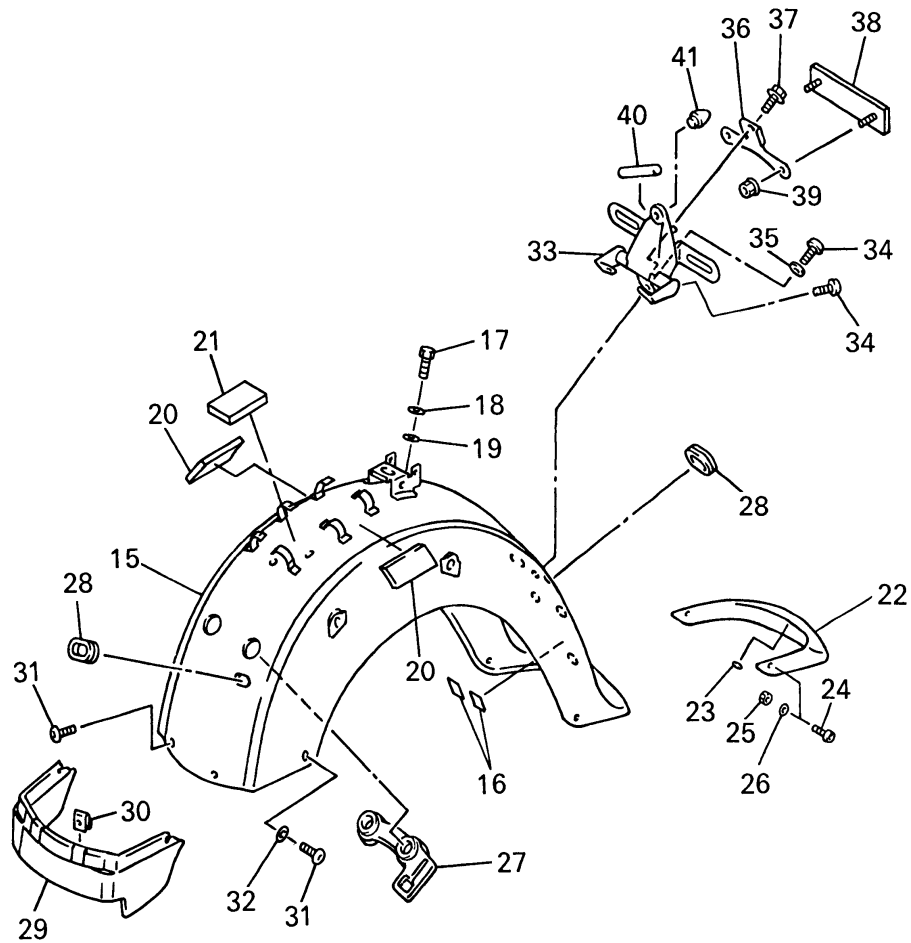
Ref. No.	Part Number	Description	Qty	Remarks
1	4NL-Y2150-H0-8X	FRONT FENDER ASSEMBLY ..	1	UR YNM5/MAS
	4NL-Y2150-J0-9X	FRONT FENDER ASSEMBLY ..	1	UR VDMC1/NM5
2	4XY-21570-00-00	. GRAPHIC SET, FRONT FENDER	1	UR FOR YNM5
	4XY-21570-10-00	. GRAPHIC SET, FRONT FENDER	1	UR FOR VDMC1
3	4NL-21561-11-00	FLAP 2	1	
4	90183-06008-00	NUT, SPRING	1	
5	92014-05010-00	BOLT, BUTTON HEAD	2	
6	95304-05600-00	NUT	2	
7	4NL-21521-10-00	FLAP, FRONT FENDER	1	
8	90183-06008-00	NUT, SPRING	1	
9	92014-05010-00	BOLT, BUTTON HEAD	2	
10	95304-05600-00	NUT	2	
11	91314-08025-00	BOLT	4	
12	4NL-21577-00-00	MASCOT	1	
13	90159-06107-00	SCREW, WITH WASHER	1	
14	4NL-21575-10-00	SEAL 1	4	
15	4XY-YK216-00-0L	REAR FENDER COMP.	1	UR MAS FOR YNM5
	4XY-YK216-00-P0	REAR FENDER COMP.	1	UR VDMC1
16	3MA-27491-00-00	PROTECTOR	2	
17	97007-08016-00	BOLT	1	
18	92907-08200-00	WASHER	1	
19	90202-09227-00	WASHER, PLATE	1	
20	4XY-21639-00-00	DAMPER 2	2	
21	4XY-21649-00-00	DAMPER	1	
22	4NL-21621-10-00	FLAP	1	
23	90183-06008-00	NUT, SPRING	1	
24	92014-05010-00	BOLT, BUTTON HEAD	2	

CONTINUED ON NEXT FRAME ►

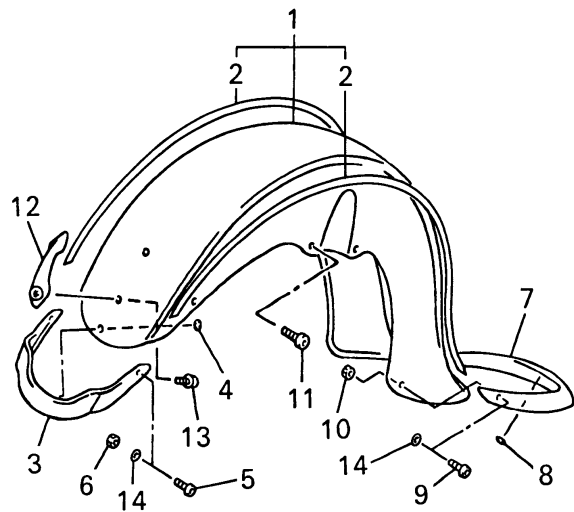


4XY1100-9230

FENDER



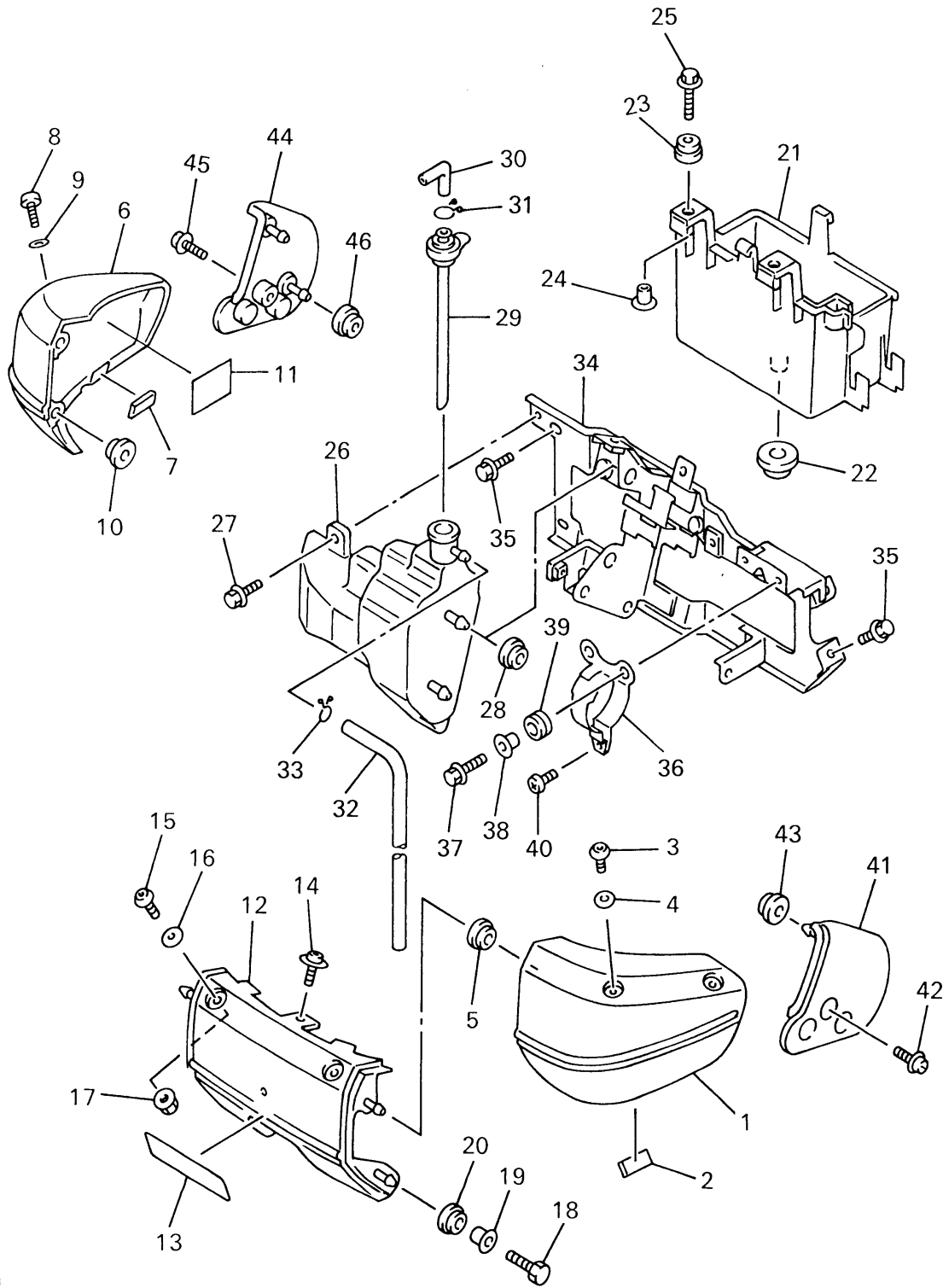
Ref. No.	Part Number	Description	Qty	Remarks
25	95304-05600-00	NUT	2	
26	4NL-21575-10-00	SEAL 1	2	
27	4NK-21649-00-00	DAMPER	1	
28	90480-15061-00	GROMMET	3	
29	4NK-21621-00-0L	FLAP	1	UR MAS FOR YNM5
	4NK-21621-00-P2	FLAP	1	UR VDMC1
30	90183-06053-00	NUT, SPRING	2	
31	90110-06200-00	BOLT, HEXAGON SOCKET HEAD	4	
32	90202-06170-00	WASHER, PLATE	2	
33	4YE-2317W-00-00	STAY, 9	1	
34	92014-06012-00	BOLT, BUTTON HEAD	3	
35	90201-06043-00	WASHER, PLATE	1	
36	4NK-21641-00-00	BRACKET, REFLECTOR	1	
37	95024-06010-00	BOLT, FLANGE	1	
38	1FK-85130-00-00	REAR REFLECTOR ASSEMBLY	1	
39	95707-05500-00	NUT, FLANGE	2	
40	90446-07114-00	HOSE	1	
41	5A8-21639-00-00	DAMPER 2	1	



4XY1100-9230

SIDE COVER

Ref. No.	Part Number	Description	Qty	Remarks
1	4NK-21711-00-0L	COVER, SIDE 1	1	UR MAS FOR YNM5
	4NK-21711-00-P3	COVER, SIDE 1	1	UR VDMC1
2	51Y-21639-00-00	DAMPER 2	1	
3	90149-06298-00	SCREW	2	
4	90202-06172-00	WASHER, PLATE	2	
5	90480-13567-00	GROMMET	2	
6	4NK-21721-00-0L	COVER, SIDE 2	1	UR MAS FOR YNM5
	4NK-21721-00-P3	COVER, SIDE 2	1	UR VDMC1
7	51Y-21639-00-00	DAMPER 2	1	
8	90149-06298-00	SCREW	2	
9	90202-06172-00	WASHER, PLATE	2	
10	90480-13567-00	GROMMET	2	
11	1JK-21735-00-00	SEAL 2	1	
12	4XY-2117X-00-0L	COVER 9	1	UR MAS FOR YNM5
	4XY-2117X-00-P3	COVER 9	1	UR VDMC1
13	52W-2117G-00-00	PROTECTOR	1	
14	90159-06033-00	SCREW, WITH WASHER	1	
15	90149-06298-00	SCREW	2	
16	90202-06172-00	WASHER, PLATE	2	
17	95707-06500-00	NUT, FLANGE	2	
18	97007-06020-00	BOLT	2	
19	90387-067N5-00	COLLAR	2	
20	90480-13398-00	GROMMET	2	
21	4NK-2177G-00-00	BOX, BATTERY	1	
22	90480-20384-00	GROMMET	1	
23	90480-13398-00	GROMMET	2	
24	90387-067N5-00	COLLAR	2	
25	90119-06096-00	BOLT, WITH WASHER	2	
26	4NK-21871-00-00	TANK, RECOVERY	1	



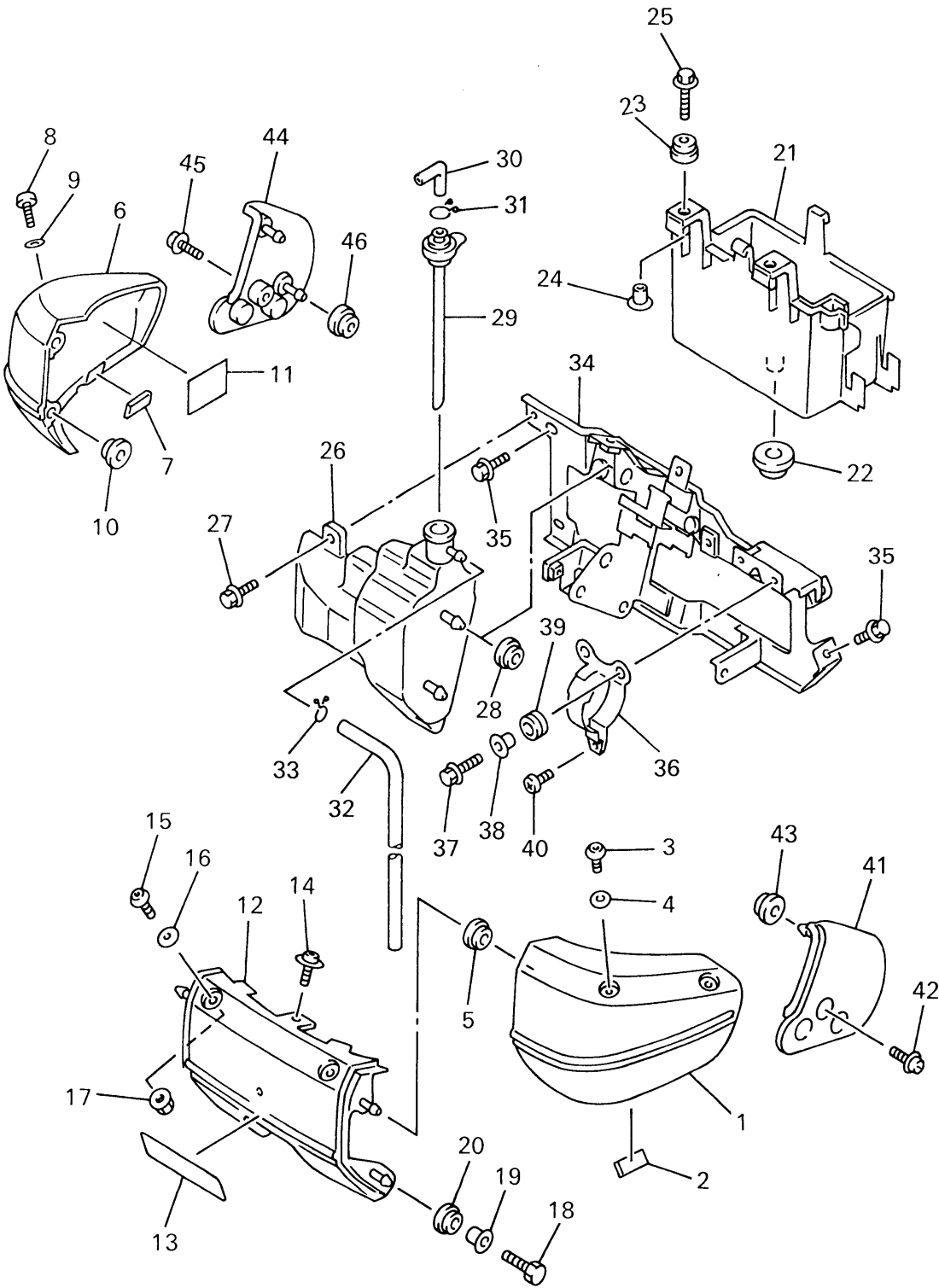
CONTINUED ON NEXT FRAME ➤



4XY1100-9240

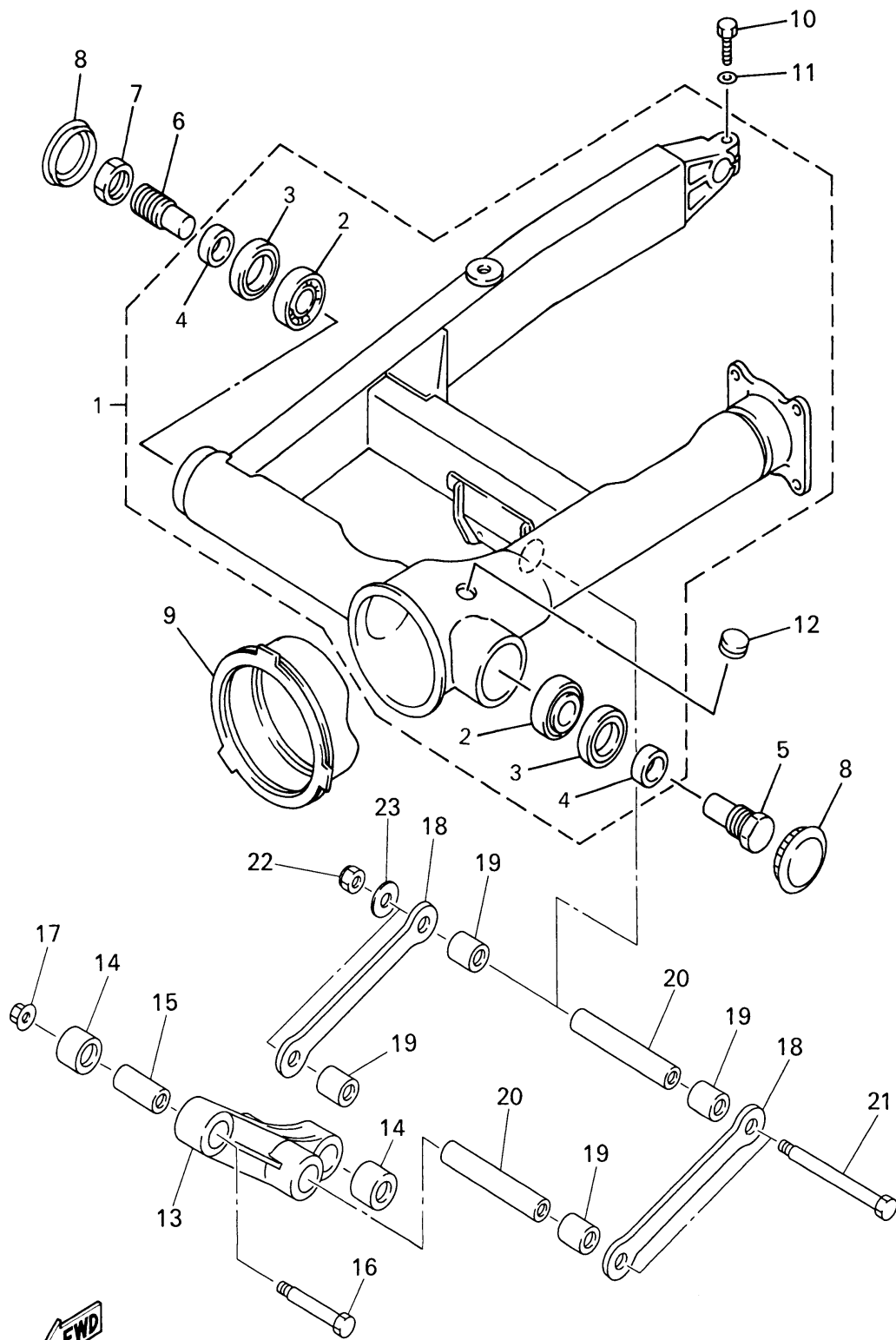
SIDE COVER

Ref. No.	Part Number	Description	Qty	Remarks
27	90119-06044-00	BOLT, WITH WASHER	1	
28	90480-13567-00	GROMMET	2	
29	4NK-21875-00-00	CAP	1	
30	26H-21828-00-00	ELBOW	1	
31	90467-11019-00	CLIP	1	
32	90445-09117-00	HOSE	1	
33	90467-09006-00	CLIP	1	
34	4NK-21243-00-00	PLATE, BRIDGE	1	
35	95807-06010-00	BOLT, FLANGE	4	
36	3CV-24491-10-00	BRACKET, FUEL PUMP	1	
37	95817-06016-00	BOLT, FLANGE	2	
38	90387-062L2-00	COLLAR	2	
39	90480-13163-00	GROMMET	2	
40	98907-05010-00	SCREW, BIND	1	
41	4NK-21731-00-00	COVER, SIDE 3	1	
42	90159-06033-00	SCREW, WITH WASHER	1	
43	90480-13567-00	GROMMET	2	
44	4NK-21741-00-00	COVER, SIDE 4	1	
45	90159-06033-00	SCREW, WITH WASHER	1	
46	90480-13567-00	GROMMET	2	



4XY1100-9240

REAR ARM

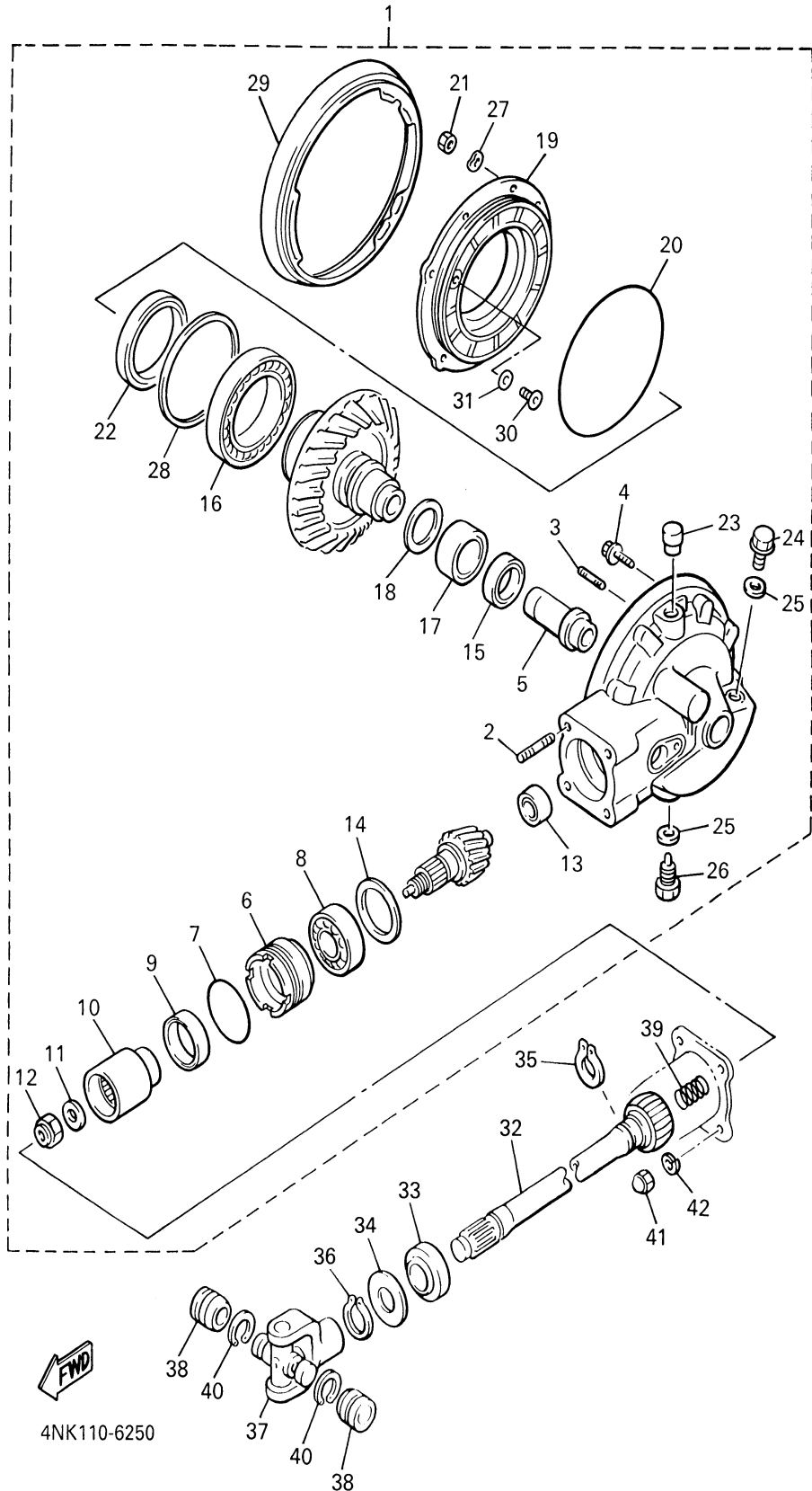


Ref. No.	Part Number	Description	Qty	Remarks
1	4XY-W2211-00-35	REAR ARM COMP.	1	SL
2	93332-00050-00	. BEARING (HR30204J)	2	UR
	93332-00051-00	. BEARING (HI-CAP3 0204JR) .	2	UR
3	93106-28023-00	. OIL SEAL	2	
4	90387-204H5-00	. COLLAR	2	
5	4NK-2214H-00-00	SHAFT, PIVOT 2	1	
6	4NK-22141-00-00	SHAFT, PIVOT	1	
7	26H-22143-00-00	NUT	1	
8	2H7-2219X-00-00	COVER	2	
9	26H-22189-00-00	BOOT, RUBBER	1	
10	97024-08025-00	BOLT	1	
11	92904-08600-00	WASHER	1	
12	90338-20113-00	PLUG	1	
13	4XY-2217A-00-00	ARM, RELAY	1	
14	93317-42060-00	BEARING, CYLINDRICAL	2	
15	90387-122J6-00	COLLAR	1	
16	90109-104E4-00	BOLT	1	
17	95607-10200-00	NUT, SELF-LOCKING	1	
18	4XY-2217M-00-00	ARM 1	2	
19	93317-41761-00	BEARING, CYLINDRICAL	4	
20	90387-126T1-00	COLLAR	2	
21	90101-12673-00	BOLT	2	
22	90185-12119-00	NUT, SELF-LOCKING	2	
23	90201-126A7-00	WASHER, PLATE	2	



4XY1100-9250

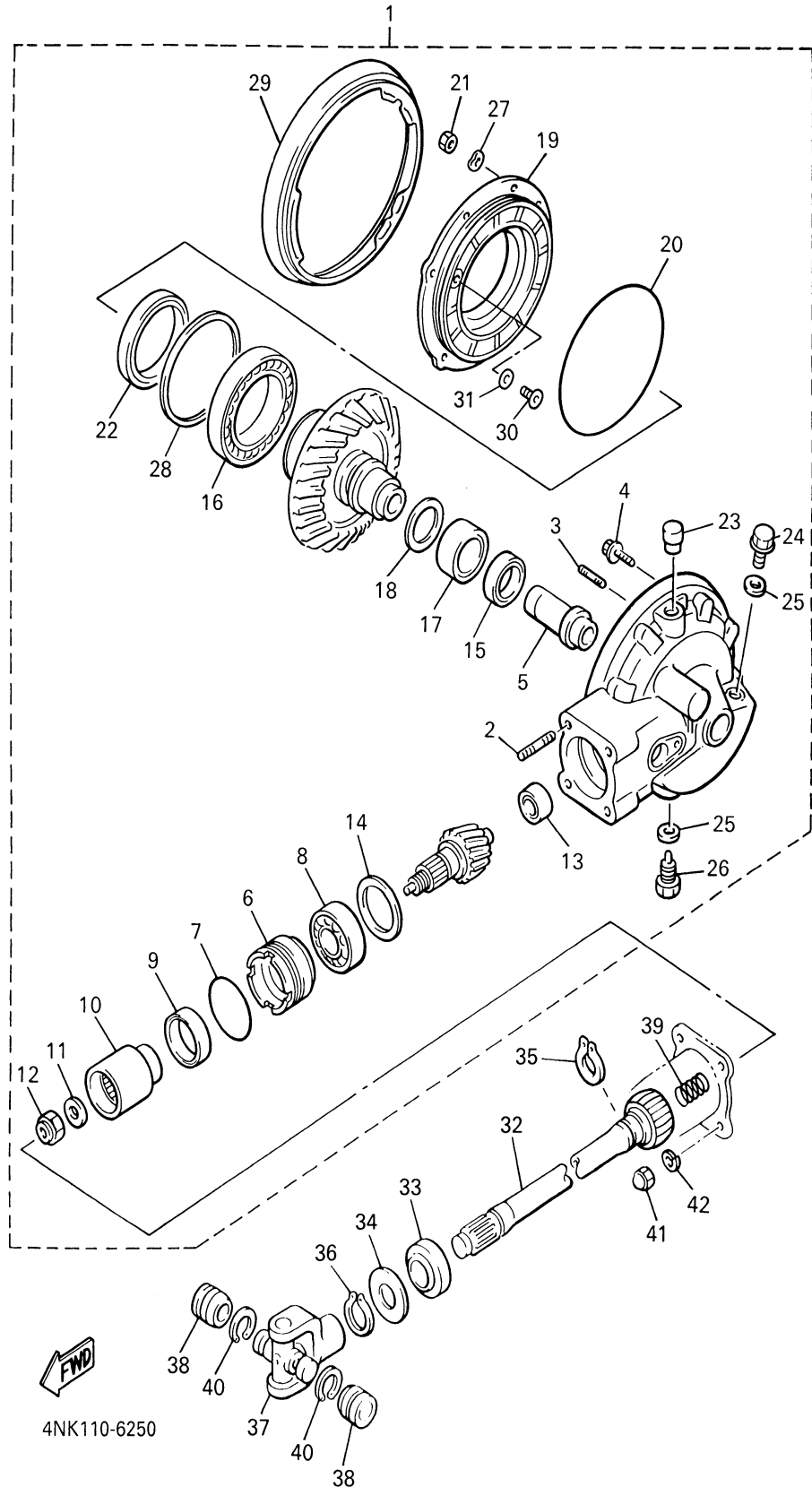
DRIVE SHAFT



Ref. No.	Part Number	Description	Qty	Remarks
1	4XY-46101-00-00	REAR AXLE GEAR CASE ASSEMBLY	1	
2	90116-10593-00	. BOLT, STUD	4	
3	90116-08427-00	. BOLT, STUD	6	
4	95817-10050-00	. BOLT, FLANGE	2	
5	4YE-46153-00-00	. COLLAR, GUIDE	1	
6	4H7-46125-00-00	. RETAINER, BEARING	1	
7	93210-60426-00	. O-RING	1	
8	93306-30533-00	. BEARING (B6305RB1 SPECIAL)	1	
9	93101-38098-00	. OIL SEAL	1	
10	4H7-46123-01-00	. COUPLING, GEAR	1	
11	90201-166R5-00	. WASHER, PLATE	1	
12	90179-16661-00	. NUT	1	
13	2H7-46102-00-00	. BEARING ASSEMBLY	1	
14	1J7-17537-Y0-30	. SHIM, THRUST (0.30T)	1	UR
	1J7-17537-Y0-40	. SHIM, THRUST (0.40T)	1	UR
	1J7-17537-Y0-50	. SHIM, THRUST (0.50T)	1	UR
15	93101-30084-00	. OIL SEAL	1	
16	93316-01403-00	. BEARING	1	
17	93311-43729-00	. BEARING	1	
18	22U-46118-00-12	. SHIM, THRUST (1.2T)	1	UR
	22U-46118-00-14	. SHIM, THRUST (1.4T)	1	UR
	22U-46118-00-16	. SHIM, THRUST (1.6T)	1	UR
	22U-46118-00-18	. SHIM, THRUST (1.8T)	1	UR
	22U-46118-00-20	. SHIM, THRUST (2.0T)	1	UR
19	1FK-46152-01-00	. HOUSING, BEARING	1	
20	93211-54698-00	. O-RING	1	
21	95317-08600-00	. NUT	6	

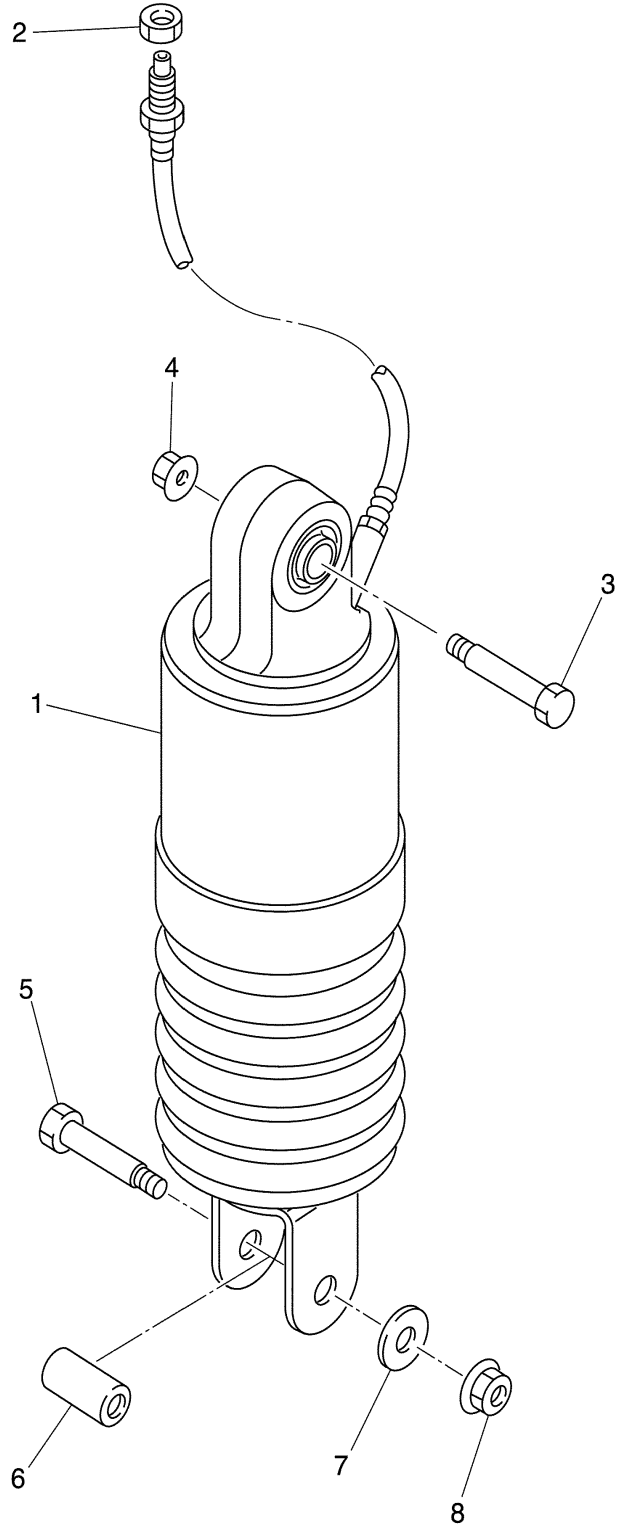
CONTINUED ON NEXT FRAME ►

DRIVE SHAFT



Ref. No.	Part Number	Description	Qty	Remarks
22	93102-70167-00	. OIL SEAL	1	
23	56W-17590-00-00	. BREATHER COMP.	1	
24	90340-14132-00	. PLUG, STRAIGHT SCREW ...	1	
25	214-11198-01-00	. GASKET	2	
26	90340-14135-00	. PLUG, STRAIGHT SCREW ...	1	
27	92907-08700-00	. WASHER	6	
28	1J7-46117-Y0-30	. SHIM, RING GEAR (0.30T) ...	1	UR
	1J7-46117-Y0-40	. SHIM, RING GEAR (0.40T) ...	1	UR
	1J7-46117-Y0-50	. SHIM, RING GEAR (0.50T) ...	1	UR
29	1FK-46154-00-00	. COVER, HOUSING	1	
30	1FK-46156-00-00	. STOPPER, RING GEAR	1	
31	1FK-46157-00-15	. SHIM, STOPPER (T=0.15) ...	1	UR
	1FK-46157-00-20	. SHIM, STOPPER (T=0.20) ...	1	UR
32	4XY-46172-00-00	SHAFT, DRIVE	1	
33	93108-23007-00	OIL SEAL	1	
34	90201-231A2-00	WASHER, PLATE	1	
35	93410-23056-00	CIRCLIP	1	
36	93410-22039-00	CIRCLIP	1	
37	4X7-46180-00-00	CROSS JOINT COMP.	1	
38	93311-21044-00	BEARING	2	
39	90501-16491-00	SPRING, COMPRESSION	1	
40	93440-20088-00	CIRCLIP	2	
41	90176-10075-00	NUT, CROWN	4	
42	92903-10100-00	WASHER, SPRING	4	

REAR SUSPENSION

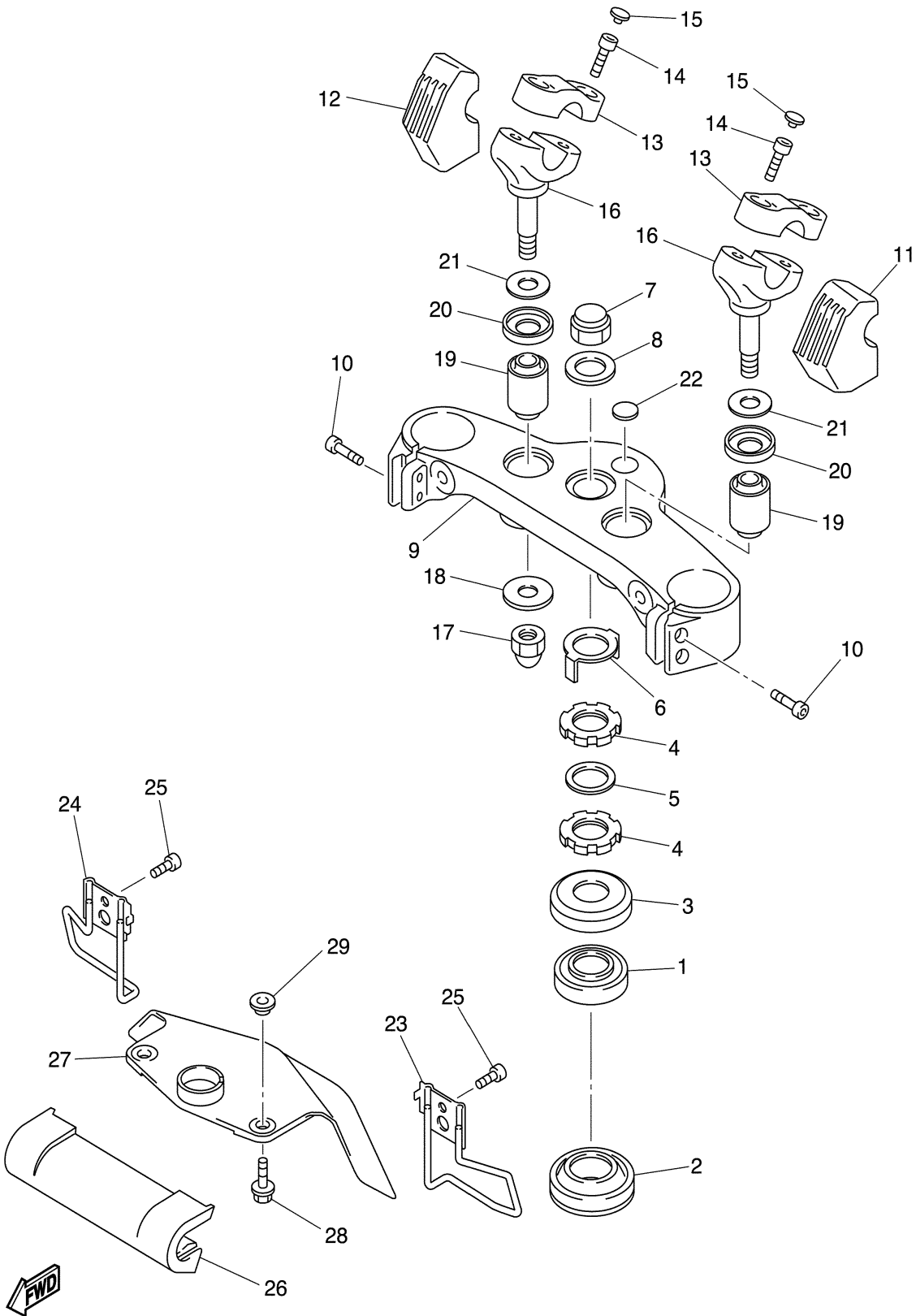


Ref. No.	Part Number	Description	Qty	Remarks
1	4XY-22210-00-00	SHOCK ABSORBER ASSEMBLY, REAR	1	
2	90170-14350-00	NUT	1	
3	90101-12498-00	BOLT	1	
4	95607-12200-00	NUT, SELF-LOCKING (95601-12200-00)	1	
5	90101-12498-00	BOLT	1	
6	90387-126W4-00	COLLAR	1	
7	90201-126A7-00	WASHER, PLATE	1	
8	95607-12200-00	NUT, SELF-LOCKING (95601-12200-00)	1	



4XY1100-9270

STEERING



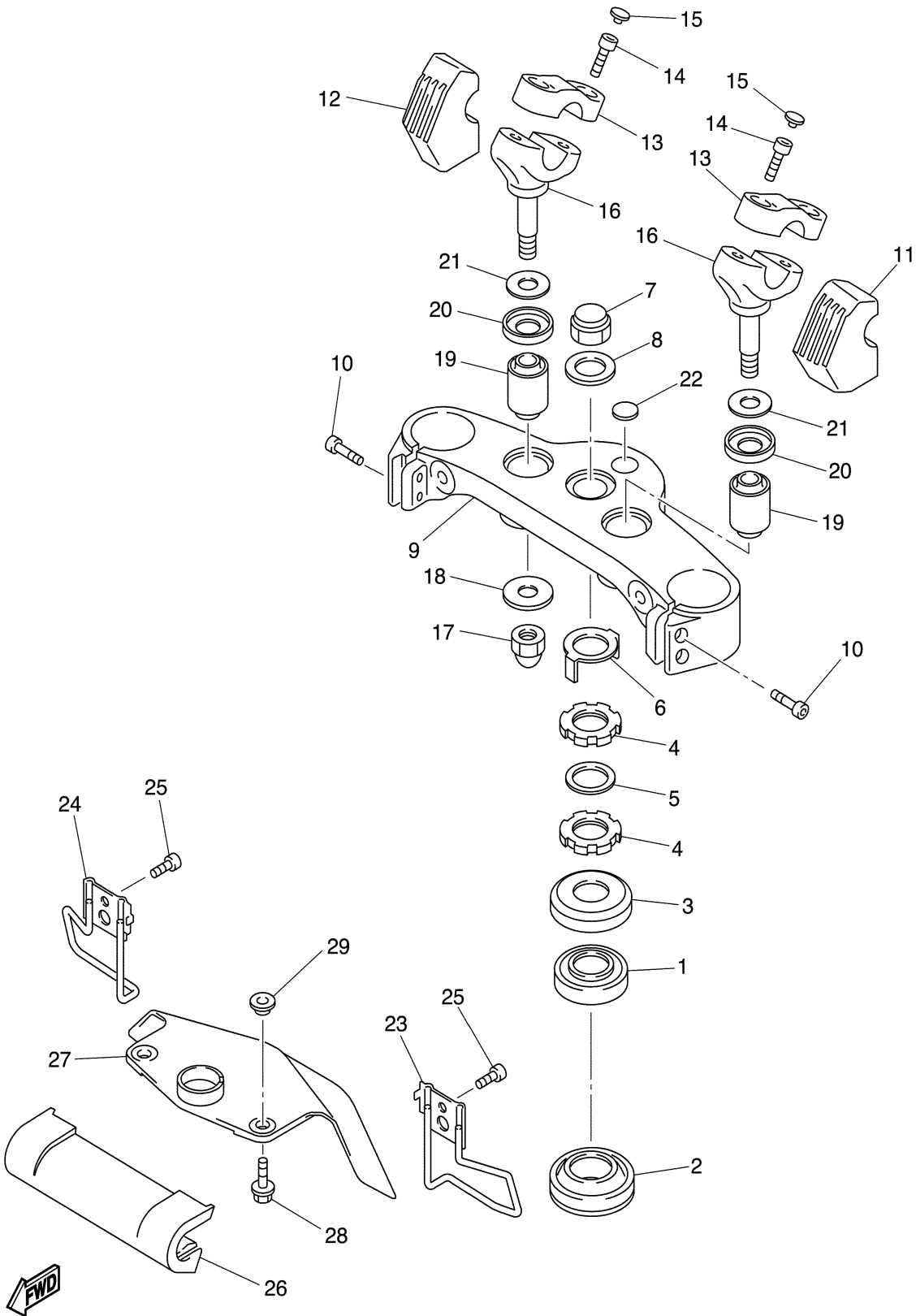
Ref. No.	Part Number	Description	Qty	Remarks
1	93332-00001-00	BEARING	1	
2	93332-00008-00	BEARING	1	
3	1W1-23416-00-00	COVER, BALL RACE 2	1	
4	90179-25033-00	NUT	2	
5	90202-26142-00	WASHER, PLATE	1	
6	26H-23418-01-00	WASHER, SPECIAL	1	
7	90176-22081-00	NUT, CROWN	1	
8	90201-220T0-00	WASHER, PLATE	1	
9	4XY-23435-00-00	CROWN, HANDLE	1	
10	91314-06030-00	BOLT	4	
11	4XY-2317J-00-00	DAMPER 1	1	
12	4XY-2317K-00-00	DAMPER 2	1	
13	4VR-23441-00-00	HOLDER, HANDLE UPPER	2	
14	91314-08025-00	BOLT	4	
15	90338-08163-00	PLUG	4	
16	4XY-23442-00-00	HOLDER, HANDLE LOWER	2	
17	90176-12052-00	NUT, CROWN	2	
18	90201-124G7-00	WASHER, PLATE	2	
19	1NU-22216-00-00	BUSH, REAR SHOCK ABSORBER	2	
20	3DM-23445-00-00	DAMPER	2	
21	90201-146F9-00	WASHER, PLATE	2	
22	4XV-2341B-00-00	EMBLEM	1	
23	4XY-2331E-00-00	GUIDE, CABLE	1	
24	4XY-23389-00-00	GUIDE, CABLE	1	
25	91317-06012-00	BOLT	2	
26	4NK-23122-00-00	COVER, OUTER 1	1	
27	4XY-23818-00-00	COVER, STEERING	1	
28	90159-06016-00	SCREW, WITH WASHER	2	

CONTINUED ON NEXT FRAME ►

4XY1100-9280

XVZ13TFL_LC

STEERING

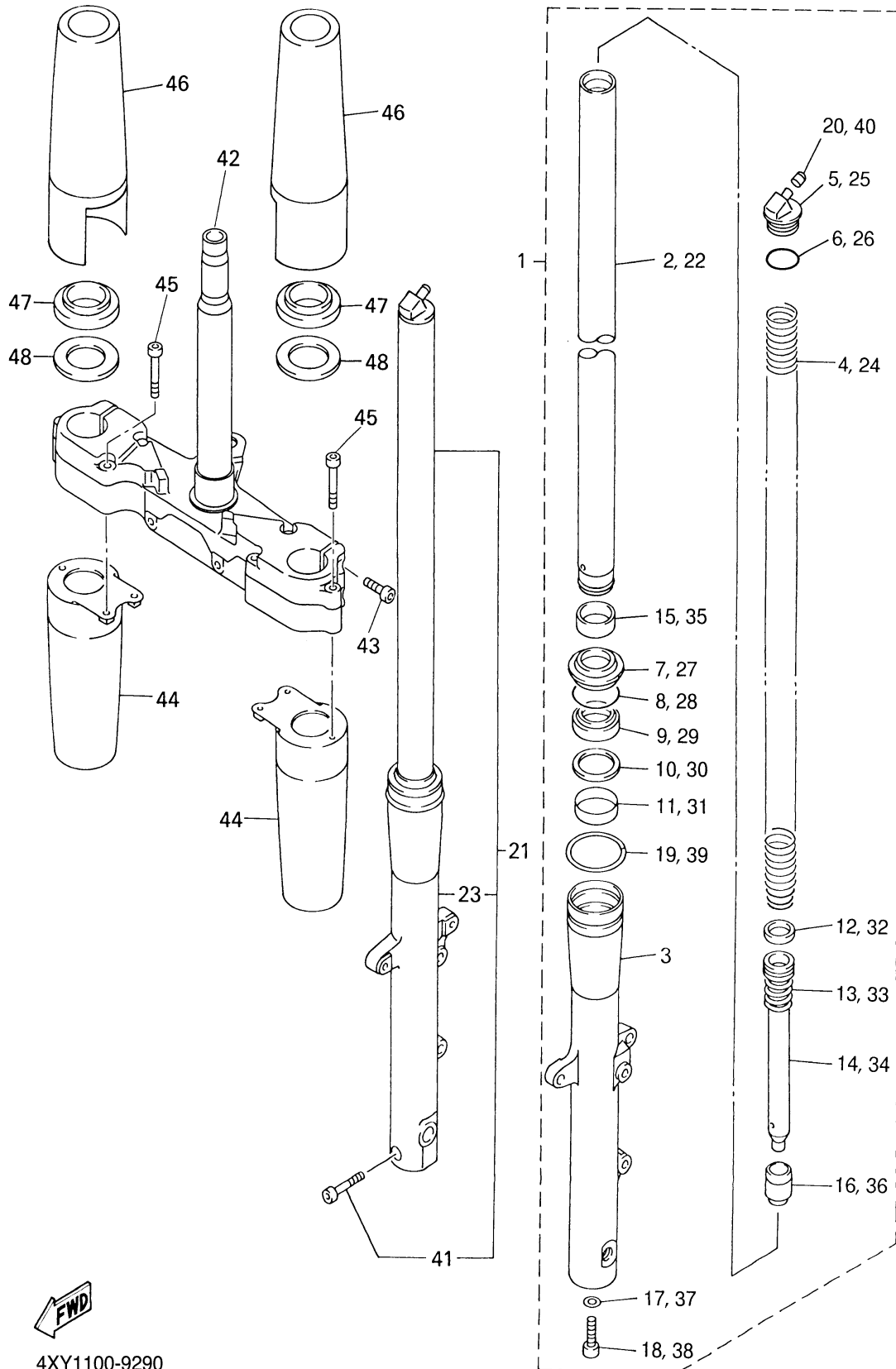


Ref. No.	Part Number	Description	Qty	Remarks
29	90387-06681-00	COLLAR	2	

4XY1100-9280

XVZ13TFL_LC

FRONT FORK

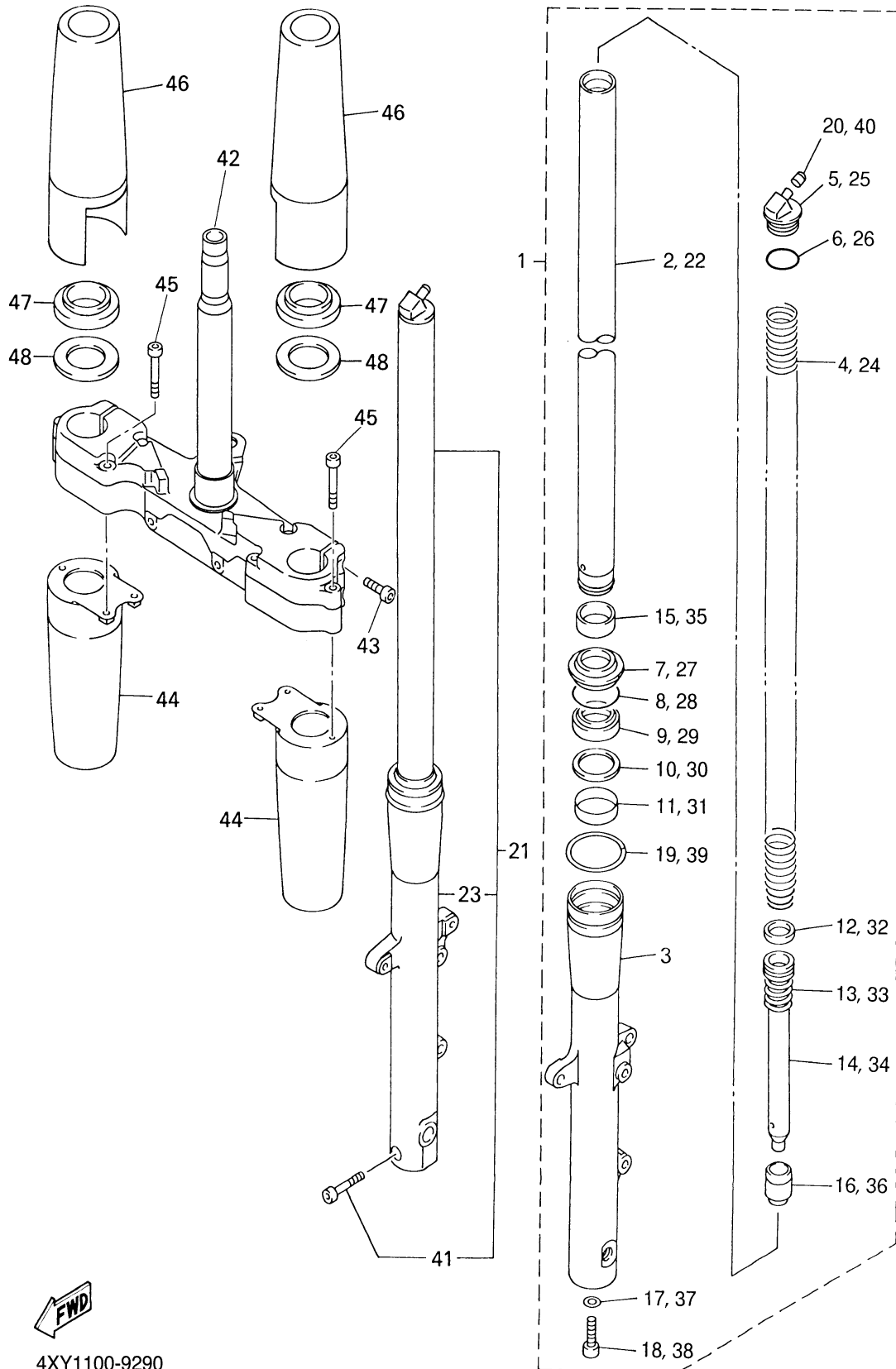


Ref. No.	Part Number	Description	Qty	Remarks
1	4XY-23102-00-00	FRONT FORK ASSEMBLY (L.H)	1	
2	4XY-23110-00-00	. INNER TUBE COMP 1	1	
3	4NK-23126-00-00	. TUBE, OUTER (LEFT)	1	
4	4XY-23141-00-00	. SPRING, FRONT FORK	1	
5	4XY-23111-00-00	. BOLT, CAP	1	
6	4NK-23147-00-00	. O-RING	1	
7	4NK-23144-00-00	. SEAL, DUST	1	
8	34L-23153-00-00	. RING, SNAP	1	
9	4NK-23145-00-00	. OIL SEAL	1	
10	4NK-23146-00-00	. WASHER, OIL SEAL	1	
11	4NK-23125-00-00	. METAL, SLIDE 1	1	
12	4NK-23157-00-00	. RING, PISTON	1	
13	4NK-23151-00-00	. SPRING, REBOUND	1	
14	4WM-23171-00-00	. PISTON, FRONT FORK	1	
15	4NK-23135-00-00	. METAL, SLIDE 2	1	
16	4WM-23166-00-00	. SPACER, OIL LOCK	1	
17	3MA-23129-10-00	. GASKET, DRAIN PLUG	1	
18	4NK-23181-00-00	. BOLT, HEXAGON SOCKET HEAD	1	
19	4NK-23193-00-00	. GUIDE, BOOT	1	
20	4V1-23184-L0-00	. CAP, AIR VALVE	1	
21	4XY-23103-00-00	FRONT FORK ASSEMBLY (R.H)	1	
22	4XY-23110-00-00	. INNER TUBE COMP 1	1	
23	4NK-23136-00-00	. TUBE, OUTER (RIGHT)	1	
24	4XY-23141-00-00	. SPRING, FRONT FORK	1	
25	4XY-23111-00-00	. BOLT, CAP	1	
26	4NK-23147-00-00	. O-RING	1	
27	4NK-23144-00-00	. SEAL, DUST	1	
28	34L-23153-00-00	. RING, SNAP	1	

CONTINUED ON NEXT FRAME ►

FWD
4XY1100-9290

FRONT FORK



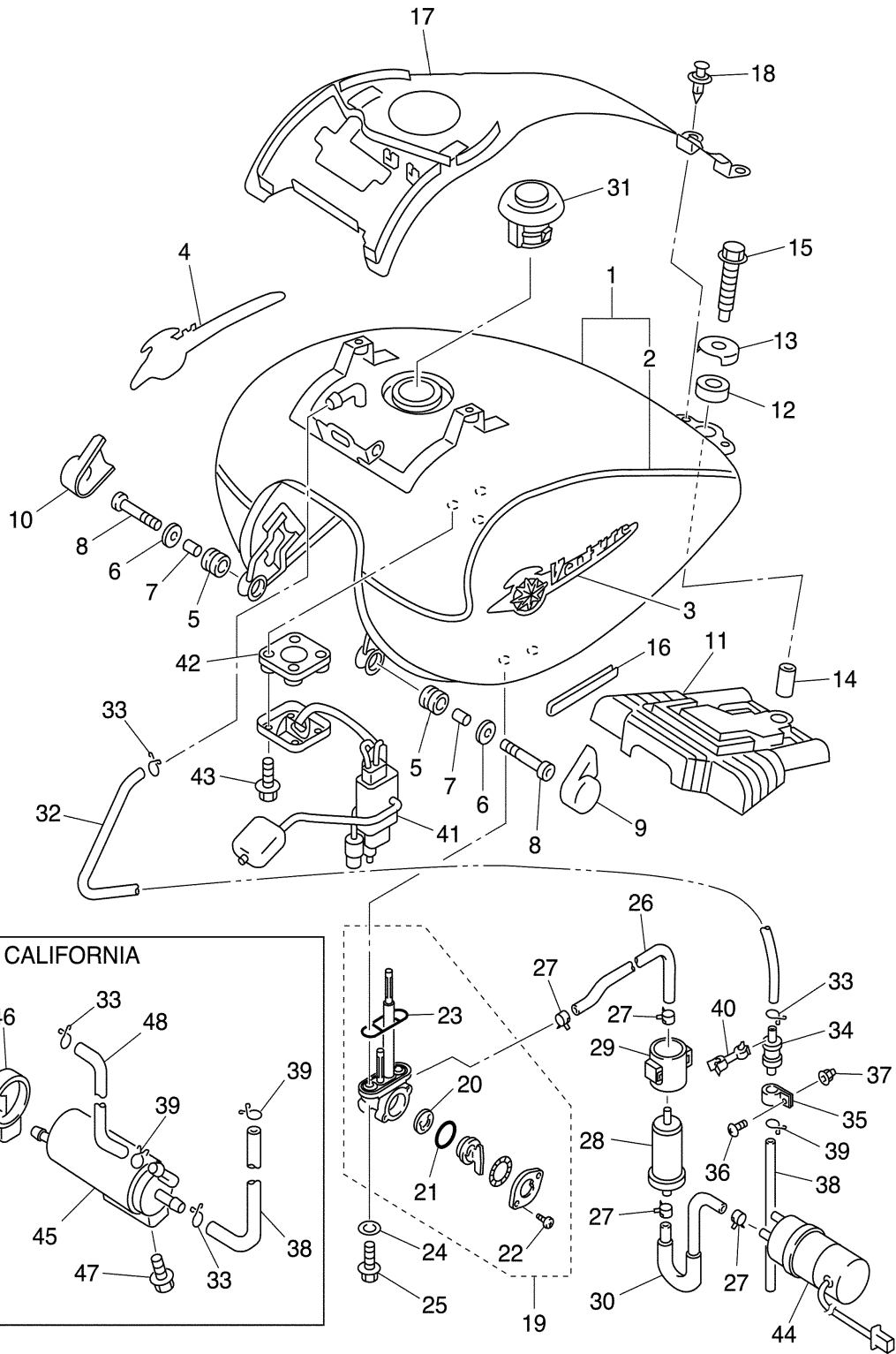
Ref. No.	Part Number	Description	Qty	Remarks
29	4NK-23145-00-00	. OIL SEAL	1	
30	4NK-23146-00-00	. WASHER, OIL SEAL	1	
31	4NK-23125-00-00	. METAL, SLIDE 1	1	
32	4NK-23157-00-00	. RING, PISTON	1	
33	4NK-23151-00-00	. SPRING, REBOUND	1	
34	4WM-23171-00-00	. PISTON, FRONT FORK	1	
35	4NK-23135-00-00	. METAL, SLIDE 2	1	
36	4WM-23166-00-00	. SPACER, OIL LOCK	1	
37	3MA-23129-10-00	. GASKET, DRAIN PLUG	1	
38	4NK-23181-00-00	. BOLT, HEXAGON SOCKET HEAD	1	
39	4NK-23193-00-00	. GUIDE, BOOT	1	
40	4V1-23184-L0-00	. CAP, AIR VALVE	1	
41	1KT-23181-00-00	. BOLT, HEXAGON SOCKET HEAD	1	
42	4XY-23340-00-00	UNDER BRACKET COMP.	1	
43	38W-23181-00-00	BOLT, HEXAGON SOCKET HEAD	4	
44	4NK-23123-00-00	COVER, LOWER 1	2	
45	4XY-23181-00-00	BOLT, HEXAGON SOCKET HEAD	6	
46	4XY-23121-00-00	COVER, UPPER 1	2	
47	4NK-23163-00-00	GASKET	2	
48	4NK-23165-00-00	WASHER, FELT	2	



4XY1100-9290

FUEL TANK

Ref. No.	Part Number	Description	Qty	Remarks
1	4XY-Y2410-10-01	FUEL TANK COMP.	1	UR VDMC1/NM5
	4XY-Y2410-10-02	FUEL TANK COMP.	1	UR YNM5/MAS
2	4XY-24240-00-00	. GRAPHIC SET	1	UR FOR YNM5
	4XY-24240-10-00	. GRAPHIC SET	1	UR FOR VDMC1
3	4XY-2416B-00-00	EMBLEM	1	
4	4XY-2417B-00-00	EMBLEM	1	
5	90480-18354-00	GROMMET	2	
6	90201-06071-00	WASHER, PLATE	2	
7	90387-06027-00	COLLAR	2	
8	92017-06035-00	BOLT, BUTTON HEAD	2	
9	4XY-24129-00-00	COVER, SIDE 1	1	
10	4XY-24139-00-00	COVER, SIDE 2	1	
11	4XY-24182-00-00	DAMPER, LOCATING 2	1	
12	4XY-24183-00-00	DAMPER, LOCATING 3	1	
13	42X-24186-00-00	WASHER, SPECIAL	1	
14	90387-0813V-00	COLLAR	1	
15	90109-08002-00	BOLT	1	
16	31A-24188-01-00	MOLD, FUEL TANK	1	
17	4XY-2171A-00-00	COVER, TOP	1	
18	90269-07076-00	RIVET	2	
19	4WM-24500-00-00	FUEL COCK ASSEMBLY 1 ...	1	
20	3AJ-24523-00-00	. VALVE PACKING	1	
21	3AJ-24534-00-00	. SEAL, COCK	1	
22	97801-03008-00	. SCREW, PAN HEAD	2	
23	4X8-24512-00-00	. O-RING	1	
24	90202-05193-00	WASHER, PLATE	2	
25	90149-06011-00	SCREW	2	
26	4XY-24311-00-00	PIPE, FUEL 1	1	
27	90467-12053-00	CLIP	4	



CONTINUED ON NEXT FRAME ➤

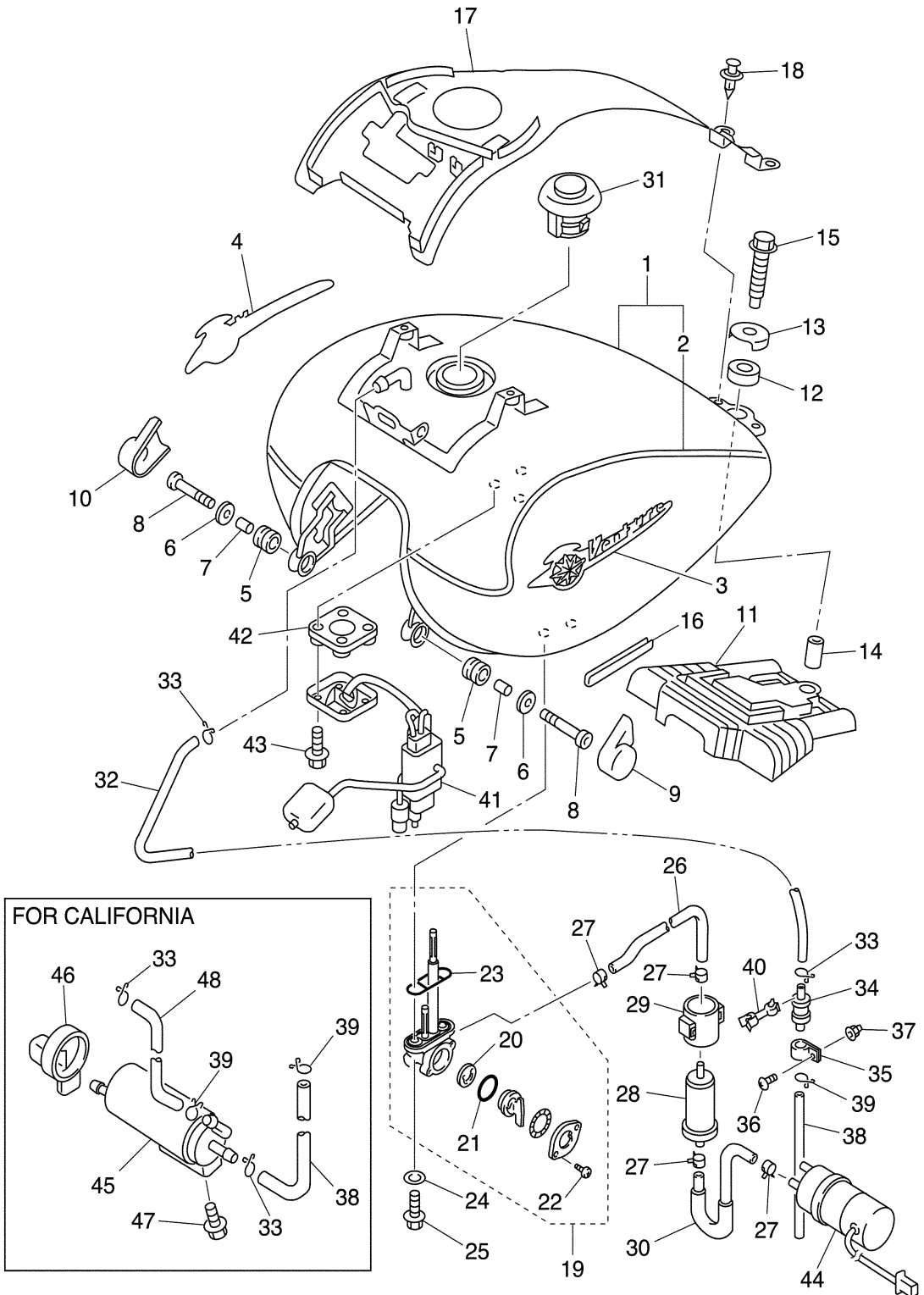


4XY1100-9300

XVZ13TFL_LC

FUEL TANK

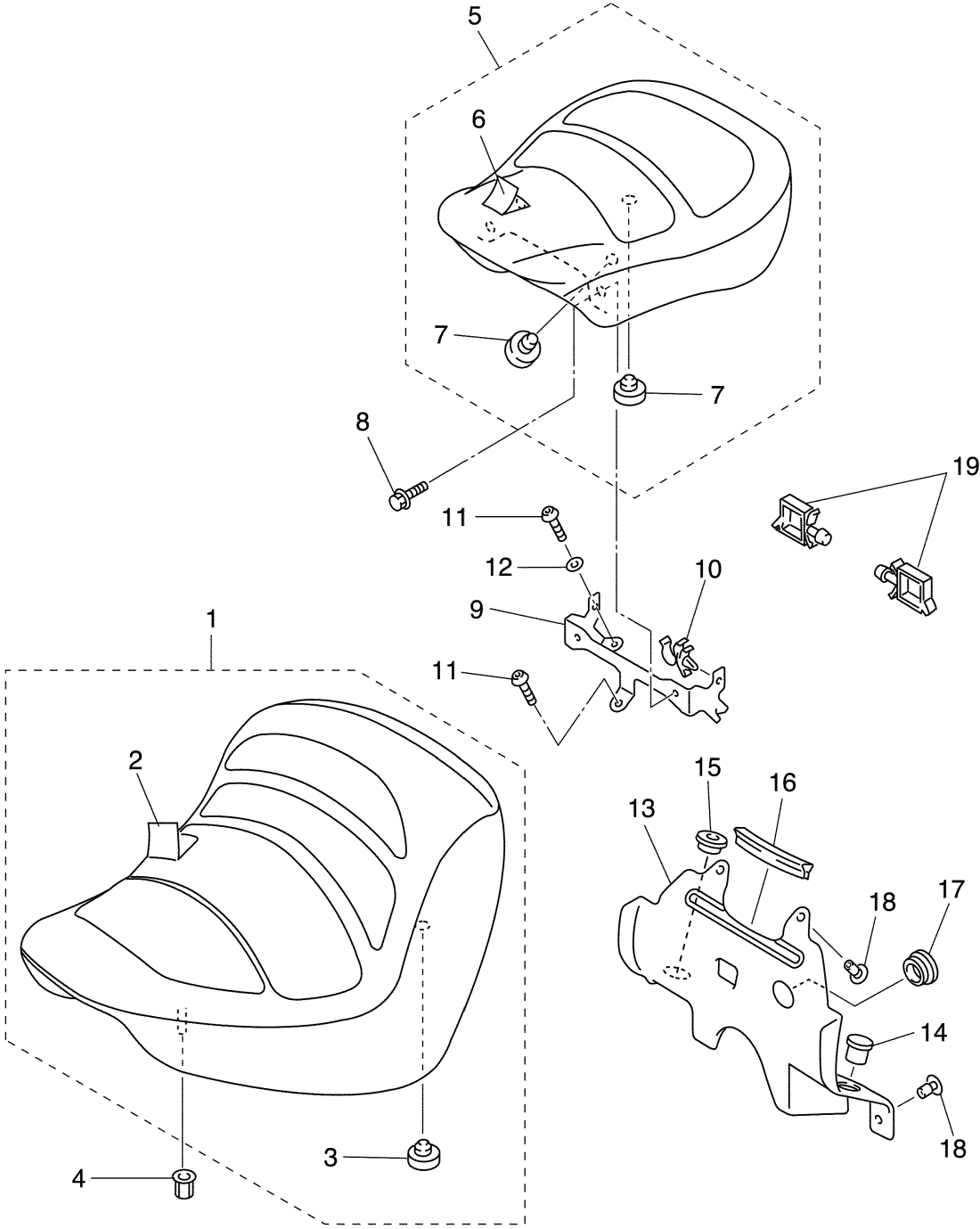
Ref. No.	Part Number	Description	Qty	Remarks
28	1FK-24560-00-00	FILTER ASSEMBLY	1	
29	1FK-24566-00-00	BRACKET, FILTER	1	
30	4NK-24312-00-00	PIPE 2	1	
31	4NK-24602-10-00	CAP ASSEMBLY	1	
32	4XY-24321-00-00	PIPE 0	1	
33	90467-10041-00	CLIP	2	CALIFORNIA
	90467-10041-00	CLIP	3	
34	25H-24180-00-00	ROLL OVER VALVE ASSEMBLY	1	
35	90461-15100-00	CLAMP	1	
36	98907-05012-00	SCREW, BIND	1	
37	90176-05054-00	NUT, CROWN	1	
38	90445-116K9-00	HOSE	1	
39	90467-10041-00	CLIP	1	
	90467-10041-00	CLIP	3	CALIFORNIA
40	90464-13103-00	CLAMP	2	
41	4XY-85752-00-00	SENDER UNIT ASSEMBLY, FUEL METER	1	
42	5G3-85753-00-00	GASKET, SENDER UNIT	1	
43	90119-05071-00	BOLT, WITH WASHER	4	
44	4NK-13907-00-00	FUEL PUMP COMP.	1	
45	4XY-24170-00-00	CANISTER ASSEMBLY	1	CALIFORNIA
46	2JU-2419E-00-00	COVER, CANISTER	1	CALIFORNIA
47	95807-06010-00	BOLT, FLANGE	2	CALIFORNIA
48	90445-117K0-00	HOSE	1	CALIFORNIA



 4XY1100-9300

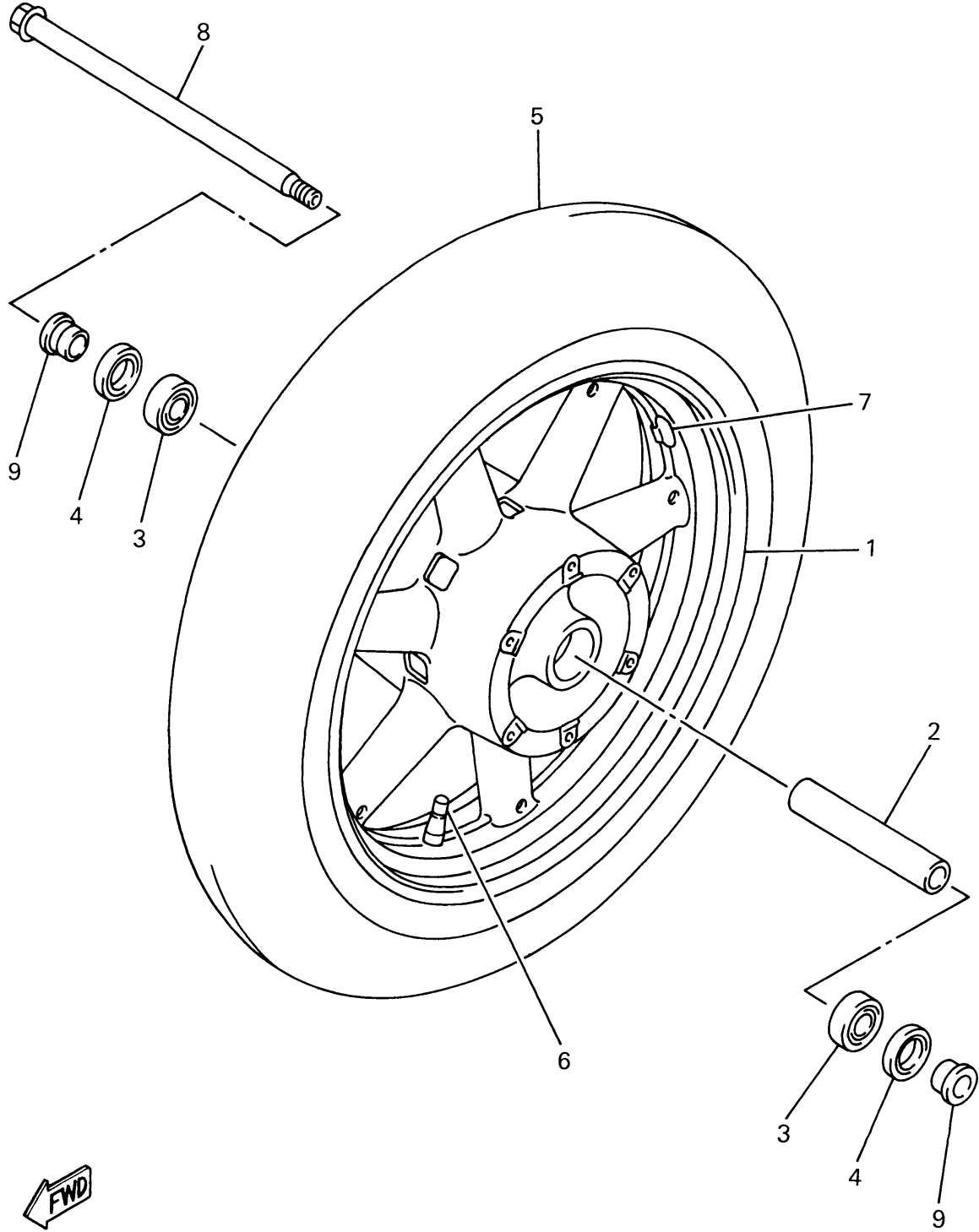
SEAT

Ref. No.	Part Number	Description	Qty	Remarks
1	4XY-24710-00-00	SINGLE SEAT ASSEMBLY	1	
2	4XY-24711-00-00	. COVER, SINGLE SEAT	1	
3	22W-24741-00-00	. PAD, SEAT	5	
4	90179-06500-00	NUT	2	
5	4XY-24750-00-00	TANDEM SEAT ASSEMBLY	1	
6	4XY-24751-00-00	. COVER, TANDEM SEAT	1	
7	22W-24741-00-00	. PAD, SEAT	5	
8	95807-06014-00	BOLT, FLANGE	2	
9	4XY-2475H-00-00	BRACKET, SEAT LEVER 1	1	
10	90464-09129-00	CLAMP	2	
11	92017-06012-00	BOLT, BUTTON HEAD	3	
12	90201-062A8-00	WASHER, PLATE	1	
13	4XY-24796-00-00	COVER	1	
14	90338-23172-00	PLUG	1	
15	4XY-24847-00-00	HOLDER 1	1	
16	4XY-2475M-00-00	SEAL	1	
17	90338-28239-00	PLUG	1	
18	90269-06083-00	RIVET	4	
19	90464-16025-00	CLAMP	2	



4XY1100-9310

FRONT WHEEL

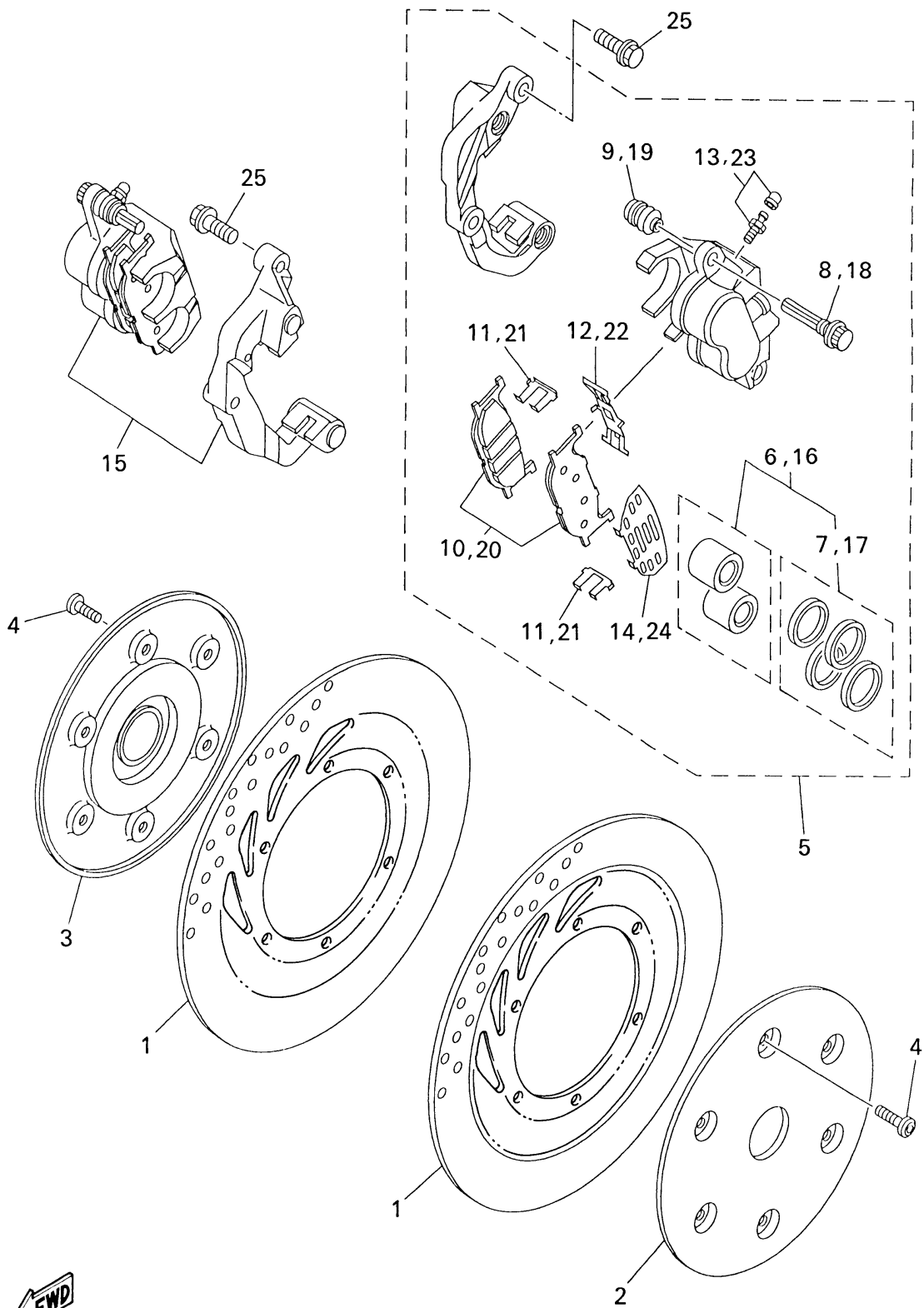


Ref. No.	Part Number	Description	Qty	Remarks
1	4NK-25168-00-WG	CAST WHEEL, FRONT	1	HTS
2	90387-2208J-00	COLLAR	1	
3	93306-00420-00	BEARING (B6004)	2	
4	93102-28021-00	OIL SEAL	2	
5	94115-16008-00	TIRE (150/80-16 71H G705)	1	UR BRIDGESTONE
	94115-1611R-00	TIRE (150/80-16 71H D404F)	1	UR DUNLOP
6	93900-00030-00	VALVE, RIM	1	
7	29L-25398-00-00	BALANCER, WHEEL (10G)	1	UR
	29L-25398-10-00	BALANCER, WHEEL (20G)	1	UR
	29L-25398-20-00	BALANCER, WHEEL (30G)	1	UR
8	4NK-25181-00-00	AXLE, WHEEL	1	
9	90387-2200T-00	COLLAR	2	



4NK110-6310

FRONT BRAKE CALIPER

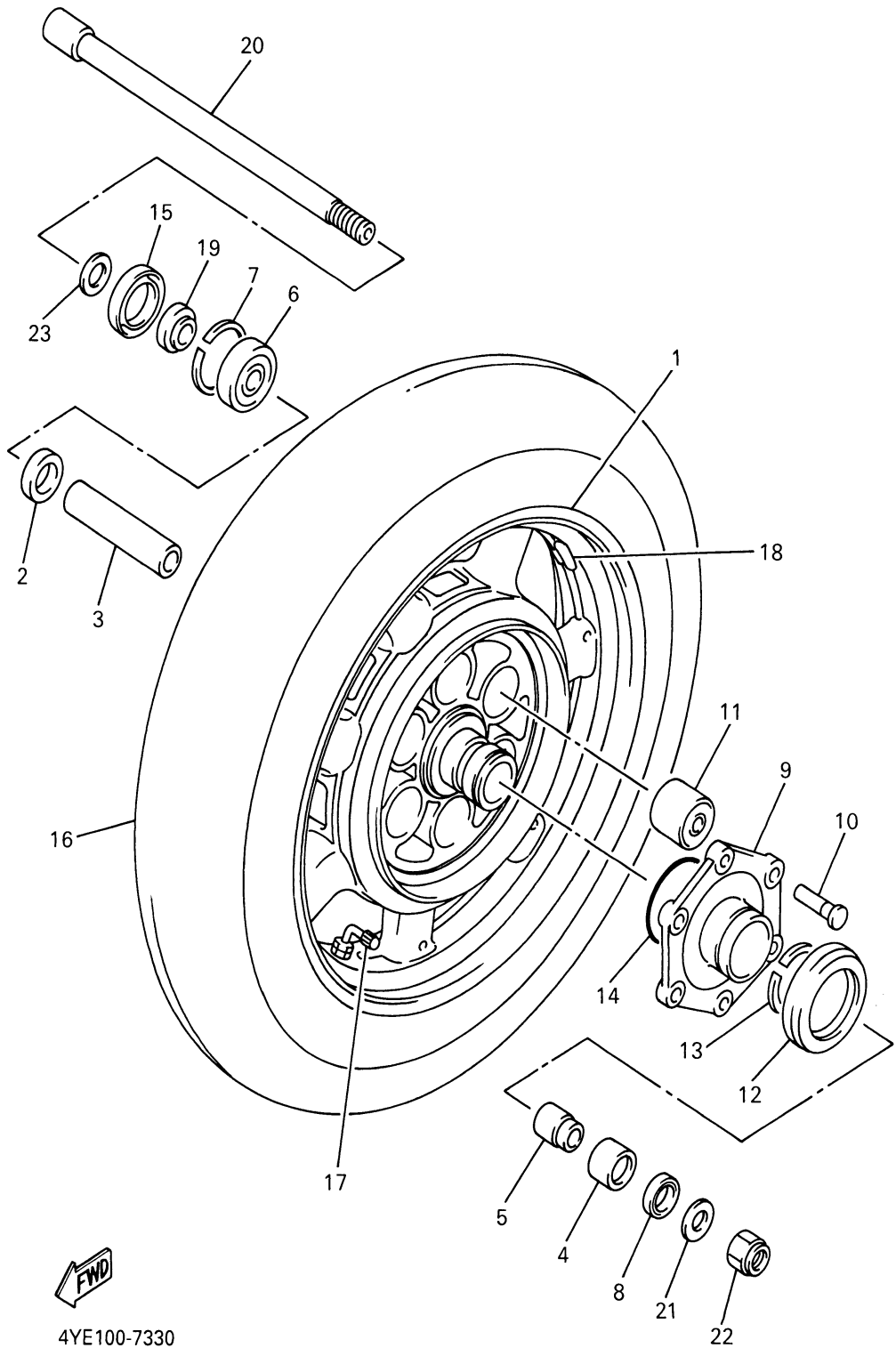


Ref. No.	Part Number	Description	Qty	Remarks
1	5BN-2582U-00-00	DISC, BRAKE (RIGHT)	2	
2	4NK-2514A-00-00	RING, WHEEL 1 (LEFT)	1	
3	4NK-2515A-00-00	RING, WHEEL 2 (RIGHT)	1	
4	90109-083G4-00	BOLT	12	
5	4WM-2580T-00-00	CALIPER ASSEMBLY (LEFT)	1	
6	3JB-W0057-00-00	. PISTON ASSEMBLY, CALIPER	1	
7	3JB-W0047-00-00	.. CALIPER SEAL KIT	1	
8	4TT-25914-00-00	. PIN, SLIDE	1	
9	4TT-25937-00-00	. BOOT 2	1	
10	4WM-W0045-00-00	. BRAKE PAD KIT	1	
11	4BP-25919-00-00	. SUPPORT, PAD	2	
12	3YX-25929-00-00	. SPRING, ANTIRATTLE	1	
13	51L-W0048-00-00	. BLEED SCREW KIT	1	
14	5BN-25827-00-00	. SHIM, CALIPER	1	
15	4WM-2580U-00-00	CALIPER ASSEMBLY (RIGHT)	1	
16	3JB-W0057-00-00	. PISTON ASSEMBLY, CALIPER	1	
17	3JB-W0047-00-00	.. CALIPER SEAL KIT	1	
18	4TT-25914-00-00	. PIN, SLIDE	1	
19	4TT-25937-00-00	. BOOT 2	1	
20	4WM-W0045-00-00	. BRAKE PAD KIT	1	
21	4BP-25919-00-00	. SUPPORT, PAD	2	
22	3YX-25929-00-00	. SPRING, ANTIRATTLE	1	
23	51L-W0048-00-00	. BLEED SCREW KIT	1	
24	5BN-25827-00-00	. SHIM, CALIPER	1	
25	90105-10638-00	BOLT, WASHER BASED	4	



4XY1100-9330

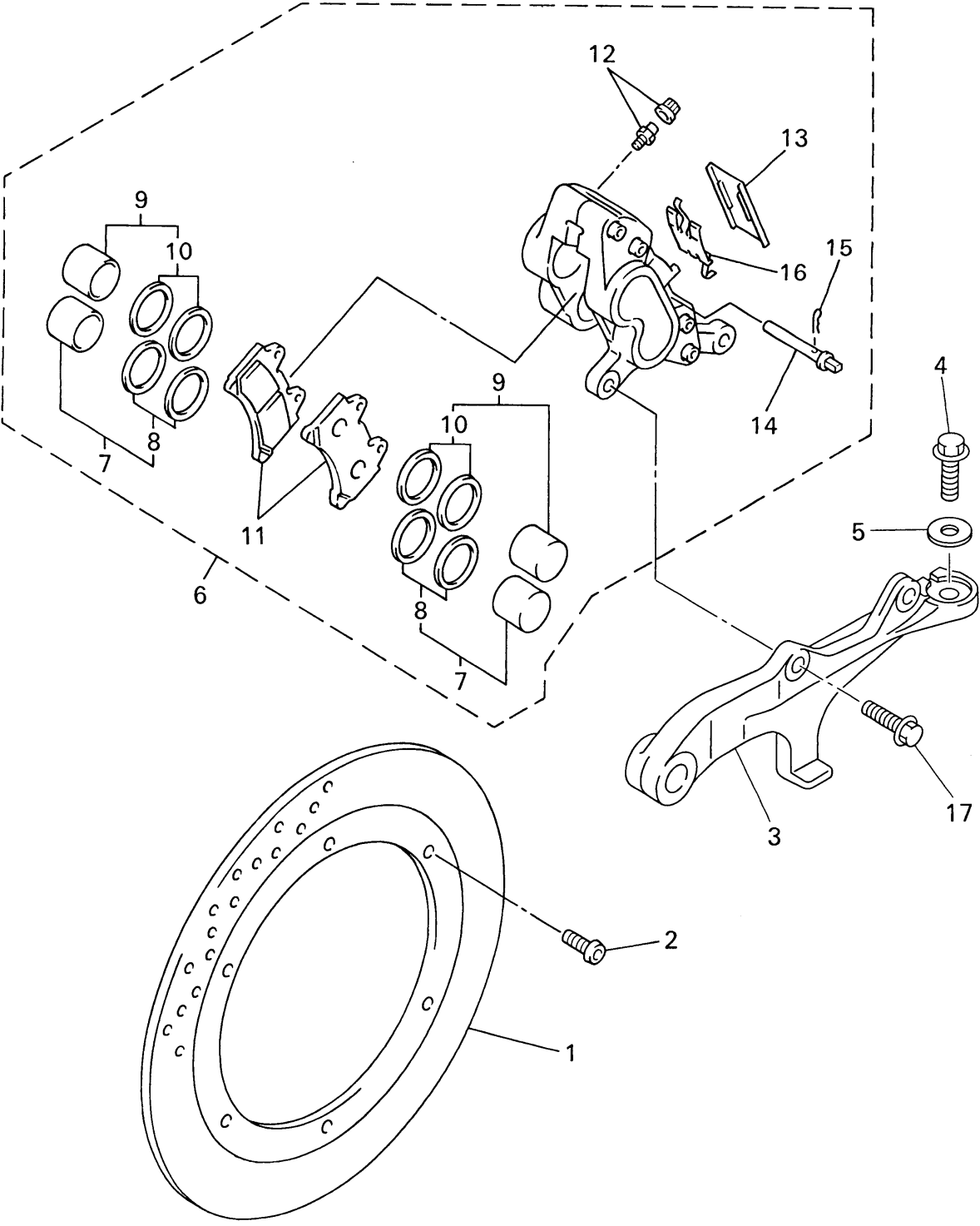
REAR WHEEL



4YE100-7330

Ref. No.	Part Number	Description	Qty	Remarks
1	4NK-25338-00-WG	CAST WHEEL, REAR	1	HTS
2	2H7-25315-00-00	FLANGE, SPACER	1	
3	90387-2008H-00	COLLAR	1	
4	93317-32677-00	BEARING	1	
5	90387-2007J-00	COLLAR	1	
6	93306-30437-00	BEARING	1	
7	99009-52500-00	CIRCLIP	1	
8	93102-25064-00	OIL SEAL	1	
9	26H-25366-01-00	CLUTCH, HUB	1	
10	90249-12167-00	PIN	6	
11	1FK-25364-00-00	DAMPER	6	
12	1J7-25319-02-00	SEAL, HUB DUST	1	
13	93440-45022-00	CIRCLIP	1	
14	93210-68347-00	O-RING	1	
15	93102-40367-00	OIL SEAL	1	
16	94115-1513D-00	TIRE (150/90B15M/C 74H D404)	1	UR DUNLOP
	94115-1513W-00	TIRE (150/90B15M/C 74H G702)	1	UR BRIDGESTONE
17	93900-00025-00	VALVE, RIM	1	
18	29L-25398-00-00	BALANCER, WHEEL (10G)	1	UR
	29L-25398-10-00	BALANCER, WHEEL (20G)	1	UR
	29L-25398-20-00	BALANCER, WHEEL (30G)	1	UR
19	90387-200J2-00	COLLAR	1	
20	4YE-25381-00-00	AXLE, WHEEL	1	
21	90201-181U5-00	WASHER, PLATE	1	
22	90185-18167-00	NUT, SELF-LOCKING	1	
23	92903-20600-00	WASHER	1	

REAR BRAKE CALIPER

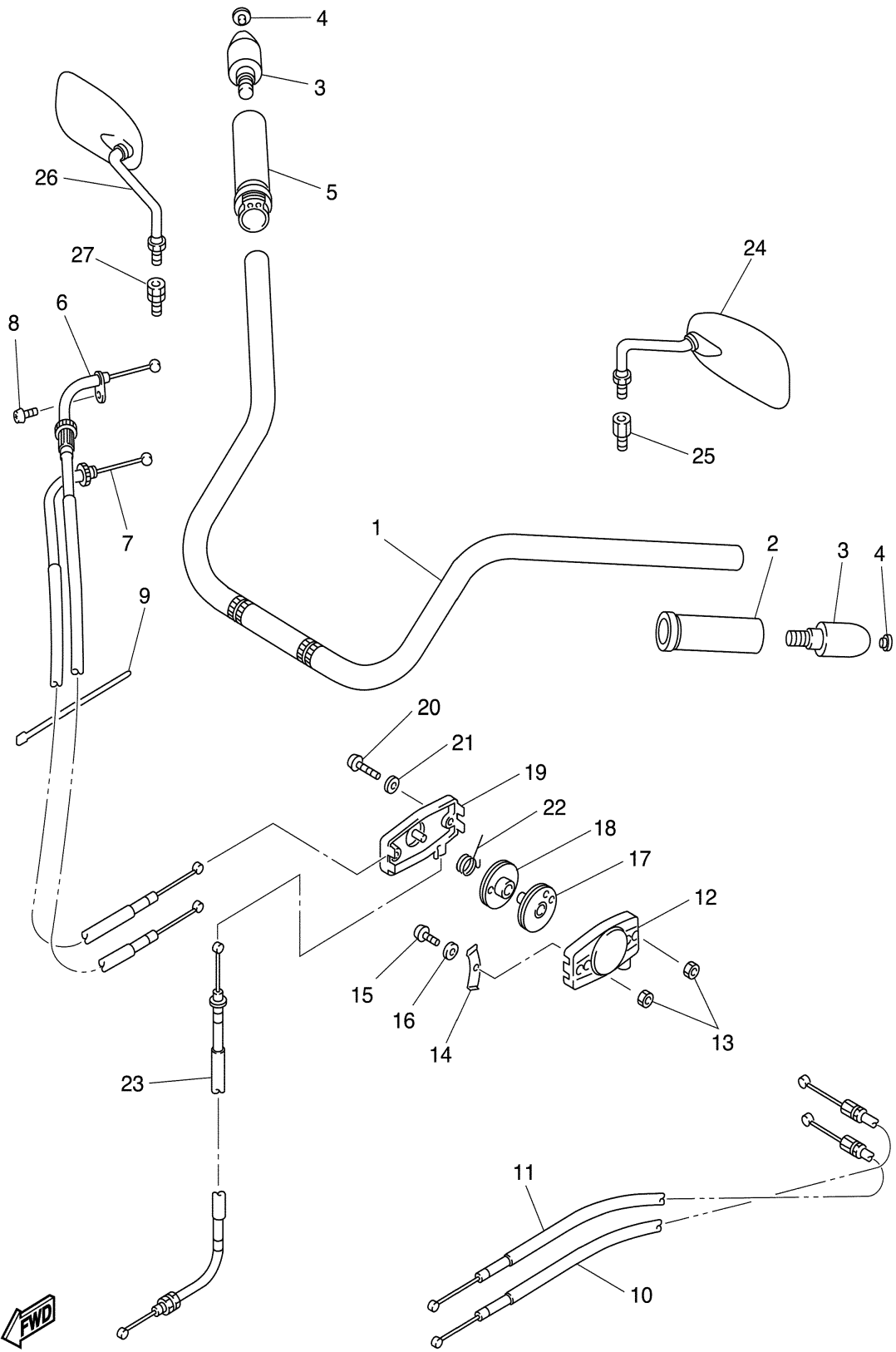


Ref. No.	Part Number	Description	Qty	Remarks
1	4NK-2582W-00-00	DISC, REAR BRAKE 2	1	
2	90109-083G4-00	BOLT	6	
3	4XY-25819-00-00	BRACKET, CALIPER	1	
4	95024-10030-00	BOLT, FLANGE	1	
5	90201-10437-00	WASHER, PLATE	1	
6	4NK-2580W-00-00	CALIPER ASSEMBLY, REAR 2	1	
7	1KT-W0057-00-00	. PISTON ASSEMBLY, CALIPER	1	
8	1KT-W0047-00-00	. . CALIPER SEAL KIT	1	
9	4NK-W0057-00-00	. PISTON ASSEMBLY, CALIPER	1	
10	4NK-W0047-00-00	. . CALIPER SEAL KIT	1	
11	4NK-W0046-00-00	. BRAKE PAD KIT 2	1	
12	1J3-W0048-00-00	. BLEED SCREW KIT	1	
13	1NL-25836-00-00	. COVER, DUST	1	
14	3HE-25924-00-00	. PIN, PAD	2	
15	3GM-25925-00-00	. CLIP	2	
16	1NL-25919-00-00	. SUPPORT, PAD	1	
17	90105-10638-00	BOLT, WASHER BASED	2	



4XY1100-9350

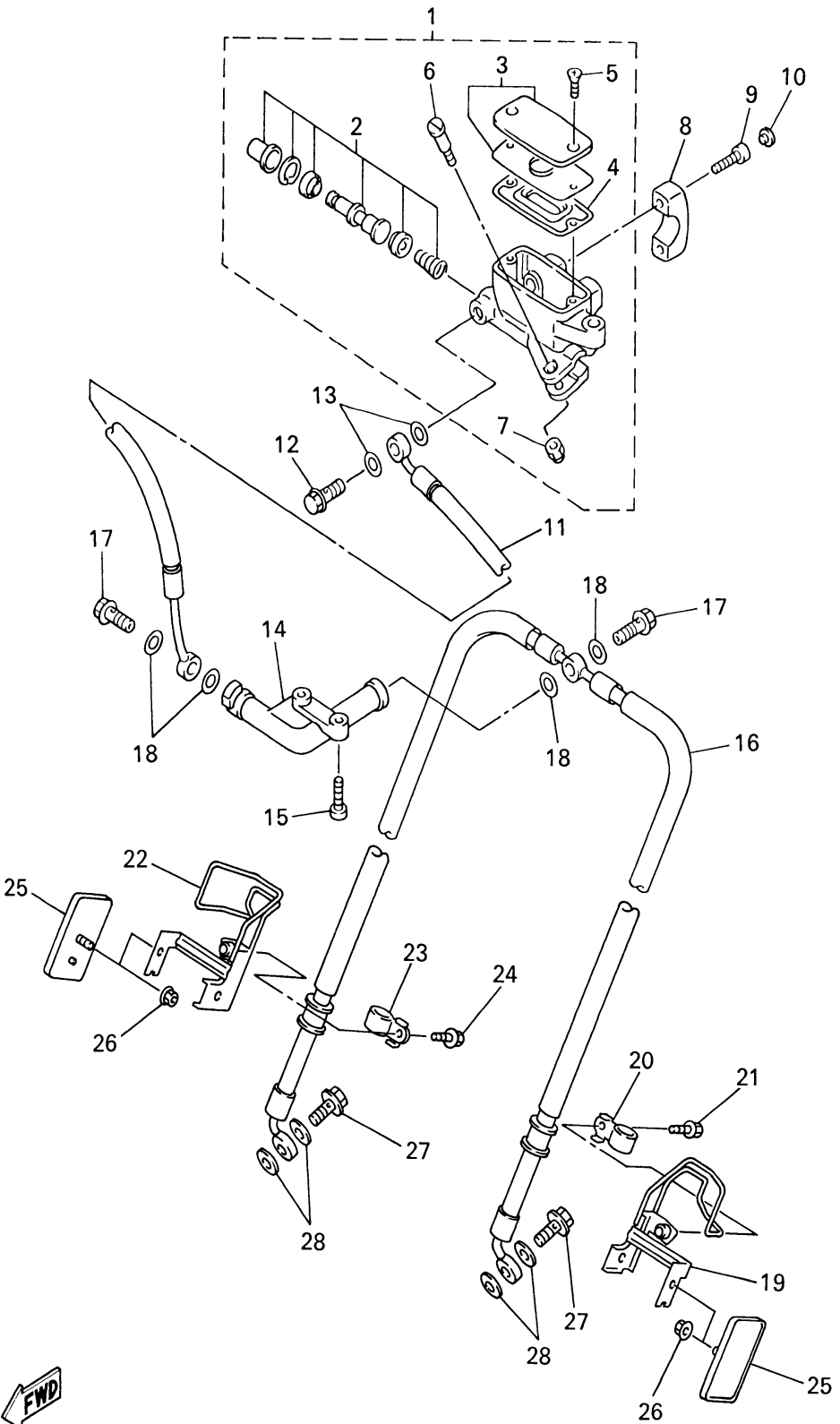
STEERING HANDLE - CABLE



Ref. No.	Part Number	Description	Qty	Remarks
1	4XY-26111-00-00	HANDLEBAR	1	
2	4NK-26241-00-00	GRIP (LEFT)	1	
3	4XY-26246-00-00	END, GRIP	2	
4	90338-10164-00	PLUG	2	
5	4XY-26240-00-00	GRIP ASSEMBLY	1	
6	4XY-26311-00-00	CABLE, THROTTLE 1	1	
7	4XY-26312-00-00	CABLE, THROTTLE 2	1	
8	98507-05008-00	SCREW, PAN HEAD	1	
9	3TB-83936-00-00	BAND, SWITCH CORD	1	
10	4XY-26313-00-00	CABLE, THROTTLE 3	1	
11	4XY-2631J-00-00	CABLE, THROTTLE 4	1	
12	41V-2629A-00-00	HOUSING COMP.	1	
13	95607-05100-00	NUT, U	4	
14	41V-2627E-00-00	CLAMP, WIRE	2	
15	98507-05014-00	SCREW, PAN HEAD	2	
16	92907-05600-00	WASHER, PLATE	2	
17	41V-26273-00-00	ROTOR	1	
18	41V-2627A-00-00	ROTOR 2	1	
19	41V-2629G-01-00	HOUSING 2	1	
20	98507-05025-00	SCREW, PAN HEAD	2	
21	92907-05600-00	WASHER, PLATE	2	
22	41V-2629L-00-00	SPRING, TORSION	1	
23	4XY-2637E-00-00	CABLE, CONTROL 1	1	
24	4XY-26280-00-00	REAR VIEW MIRROR ASSEMBLY (LEFT)	1	
25	4XY-26294-00-00	NUT 1	1	
26	4XY-26290-00-00	REAR VIEW MIRROR ASSEMBLY (RIGHT)	1	
27	4XY-26295-00-00	NUT 2	1	

4XY1100-9360

FRONT MASTER CYLINDER

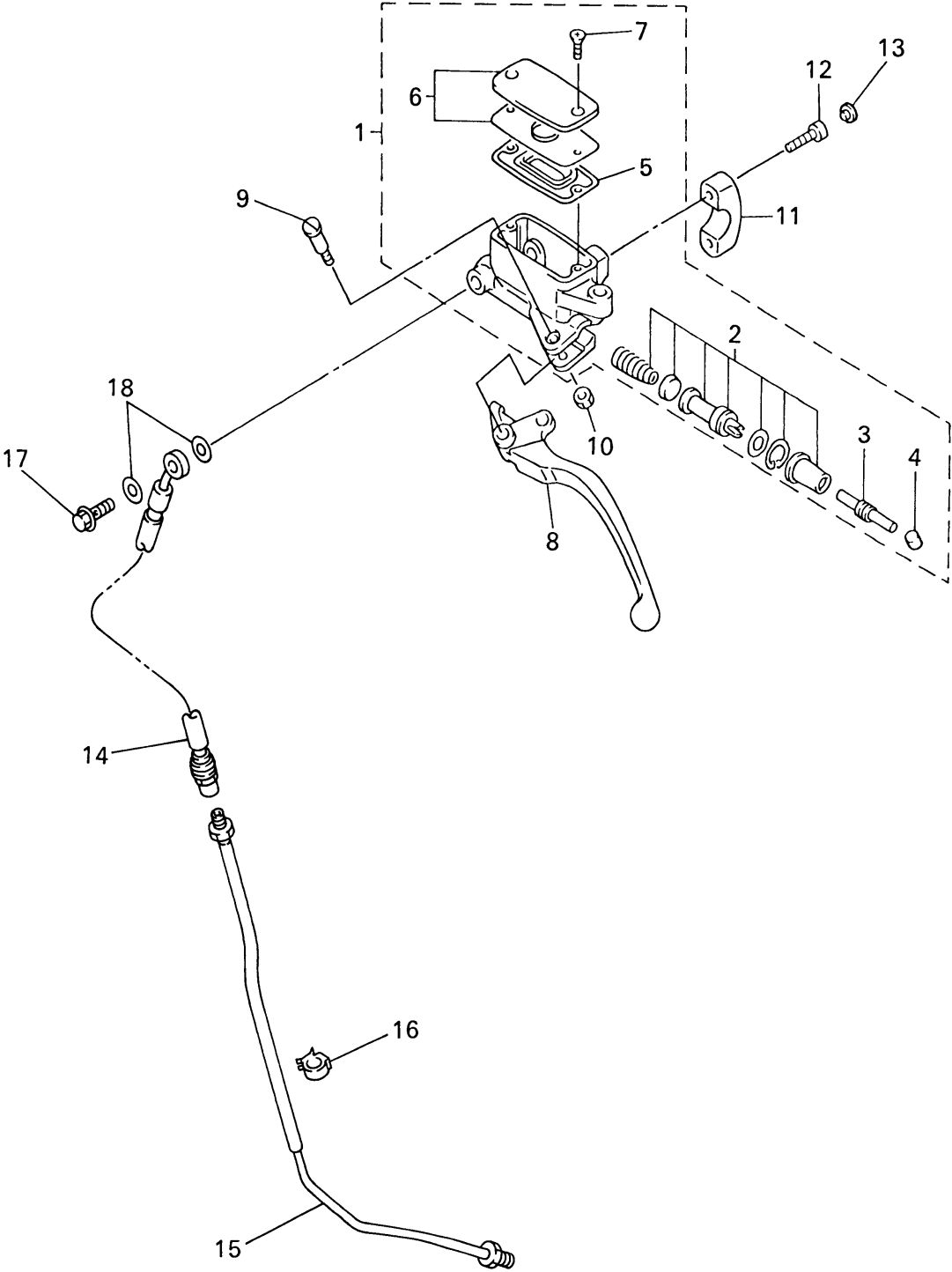


Ref. No.	Part Number	Description	Qty	Remarks
1	4XY-25870-00-00	MASTER CYLINDER SUB ASSEMBLY	1	
2	4K0-W0041-50-00	. CYLINDER KIT, MASTER	1	
3	4NK-W2585-00-00	. RESERVOIR CAP SET	1	
4	4NK-25854-00-00	. DIAPHRAGM, RESERVOIR	1	
5	4NK-2589H-00-00	. SCREW	2	
6	4NK-2589F-00-00	. BOLT, LEVER	1	
7	95604-06100-00	. NUT, U	1	
8	4NK-25867-00-00	BRACKET, MASTER CYLINDER	1	
9	91314-06025-00	BOLT	2	
10	90338-06162-00	PLUG	2	
11	4XY-25872-00-00	HOSE, BRAKE 1	1	
12	90401-10159-00	BOLT, UNION	1	
13	90201-10118-00	WASHER, PLATE	2	
14	4NK-25885-00-00	JOINT	1	
15	91317-06020-00	BOLT	2	
16	4WM-25873-00-00	HOSE, BRAKE 2	1	
17	90401-10159-00	BOLT, UNION	2	
18	90201-10118-00	WASHER, PLATE	4	
19	4XY-25875-00-00	HOLDER, BRAKE HOSE 1	1	
20	90461-10132-00	CLAMP	1	
21	95807-06012-00	BOLT, FLANGE	1	
22	4XY-25886-00-00	HOLDER, BRAKE HOSE	1	
23	90461-10132-00	CLAMP	1	
24	95807-06012-00	BOLT, FLANGE	1	
25	11H-85110-01-00	REFLECTOR ASSEMBLY	2	
26	95707-05500-00	NUT, FLANGE	2	
27	90401-10159-00	BOLT, UNION	2	
28	90201-10118-00	WASHER, PLATE	4	



4XY1100-9370

FRONT MASTER CYLINDER 2

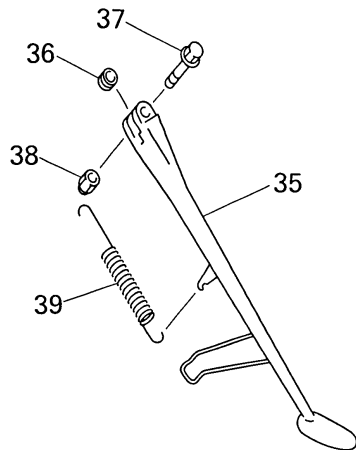
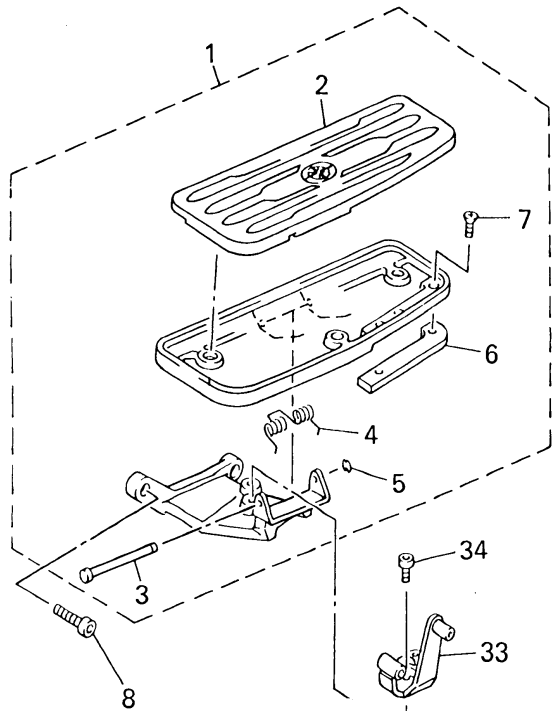
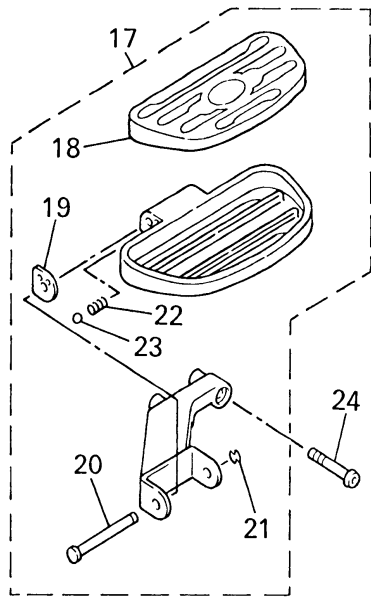
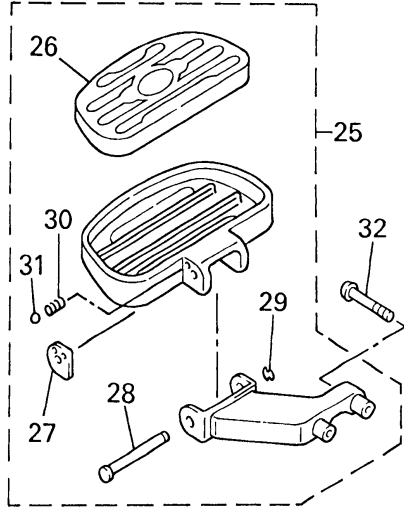
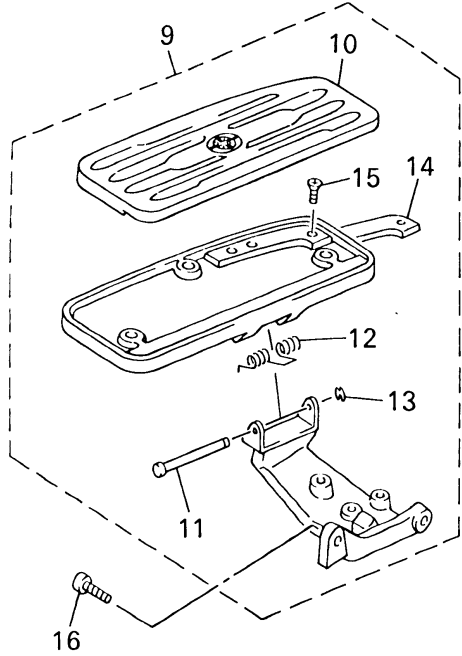


Ref. No.	Part Number	Description	Qty	Remarks
1	4NK-W2645-00-00	MASTER CYLINDER SUB ASSEMBLY	1	
2	3GM-W0099-00-00	. CYLINDER KIT, MASTER (CLUTCH)	1	
3	3GM-26464-00-00	. ROD, PUSH	1	
4	3GM-26455-00-00	. BUSH	1	
5	4NK-25854-00-00	. DIAPHRAGM, RESERVOIR	1	
6	4NK-W2585-00-00	. RESERVOIR CAP SET	1	
7	4NK-2589H-00-00	. SCREW	2	
8	4XY-83912-00-00	LEVER 1	1	
9	4NK-83945-00-00	BOLT, LEVER	1	
10	95604-06100-00	NUT, U	1	
11	4NK-25867-00-00	BRACKET, MASTER CYLINDER	1	
12	91314-06025-00	BOLT	2	
13	90338-06162-00	PLUG	2	
14	4XY-26472-00-00	HOSE, CLUTCH 1	1	
15	4XY-26471-00-00	PIPE	1	
16	90464-10190-00	CLAMP	1	
17	90401-10159-00	BOLT, UNION	1	
18	90201-10118-00	WASHER, PLATE	2	



4XY1100-9380

STAND - FOOTREST



Ref. No.	Part Number	Description	Qty	Remarks
1	4XY-27410-00-00	FRONT FOOTREST ASSEMBLY (LEFT)	1	
2	4XY-27413-00-00	. COVER, FOOTREST	1	
3	4NK-27427-00-00	. SHAFT	1	
4	4NK-27426-00-00	. SPRING, RETURN	1	
5	99001-06600-00	. CIRCLIP	1	
6	4NK-27496-00-00	. MOLE 1	1	
7	98780-05010-00	. SCREW, FLAT HEAD	2	
8	91314-10030-00	BOLT	2	
9	4XY-27420-00-00	FRONT FOOTREST ASSEMBLY (RIGHT)	1	
10	4XY-27423-00-00	. COVER, FOOTREST	1	
11	4NK-27427-00-00	. SHAFT	1	
12	4NK-27426-00-00	. SPRING, RETURN	1	
13	99001-06600-00	. CIRCLIP	1	
14	4NK-27497-00-00	. MOLE 2	1	
15	98780-05010-00	. SCREW, FLAT HEAD	2	
16	91314-10030-00	BOLT	2	
17	4XY-27430-00-00	REAR FOOTREST ASSEMBLY 1	1	
18	4YE-27433-00-00	. COVER, REAR FOOTREST	1	
19	4YE-27437-01-00	. WASHER, SPECIAL	1	
20	4YE-27427-00-00	. SHAFT	1	
21	99001-06600-00	. CIRCLIP	1	
22	90501-13720-00	. SPRING, COMPRESSION	1	
23	93501-04011-00	. BALL	1	
24	92017-08040-00	BOLT, BUTTON HEAD	2	
25	4XY-27440-00-00	REAR FOOTREST ASSEMBLY 2	1	
26	4YE-27433-00-00	. COVER, REAR FOOTREST	1	

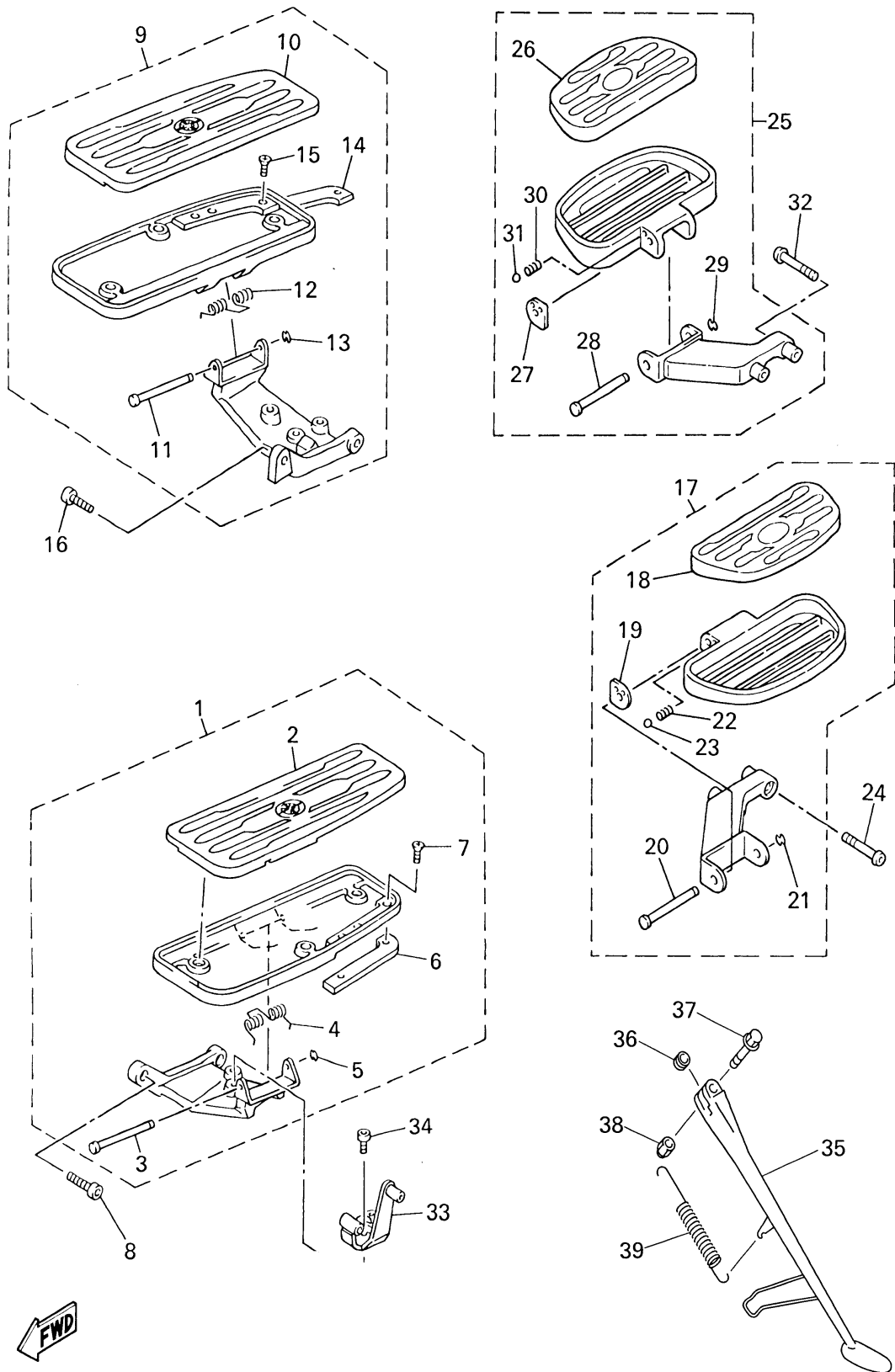
CONTINUED ON NEXT FRAME ►



4XY1100-9390

XVZ13TFL_LC

STAND - FOOTREST



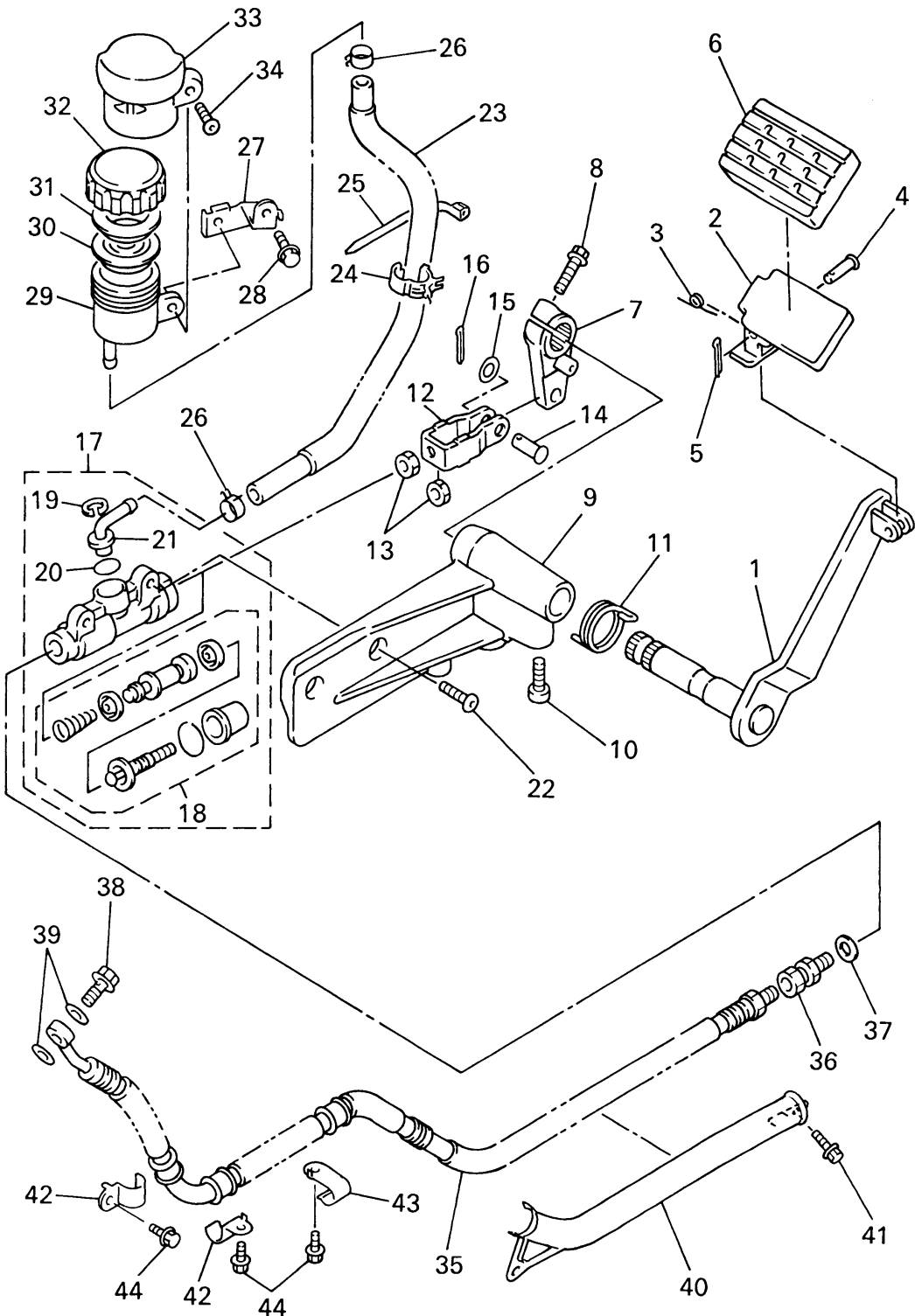
Ref. No.	Part Number	Description	Qty	Remarks
27	4YE-27437-01-00	. WASHER, SPECIAL	1	
28	4YE-27427-00-00	. SHAFT	1	
29	99001-06600-00	. CIRCLIP	1	
30	90501-13720-00	. SPRING, COMPRESSION	1	
31	93501-04011-00	. BALL	1	
32	92017-08040-00	BOLT, BUTTON HEAD	2	
33	4NK-27443-00-00	BRACKET 3	1	
34	91317-08014-00	BOLT	2	
35	4XY-27311-00-00	STAND, SIDE	1	
36	90387-1215U-00	COLLAR	1	
37	90105-12460-00	BOLT, WASHER BASED	1	
38	90185-12134-00	NUT, SELF-LOCKING	1	
39	90506-35474-00	SPRING, TENSION	1	



4XY1100-9390

XVZ13TFL_LC

REAR MASTER CYLINDER



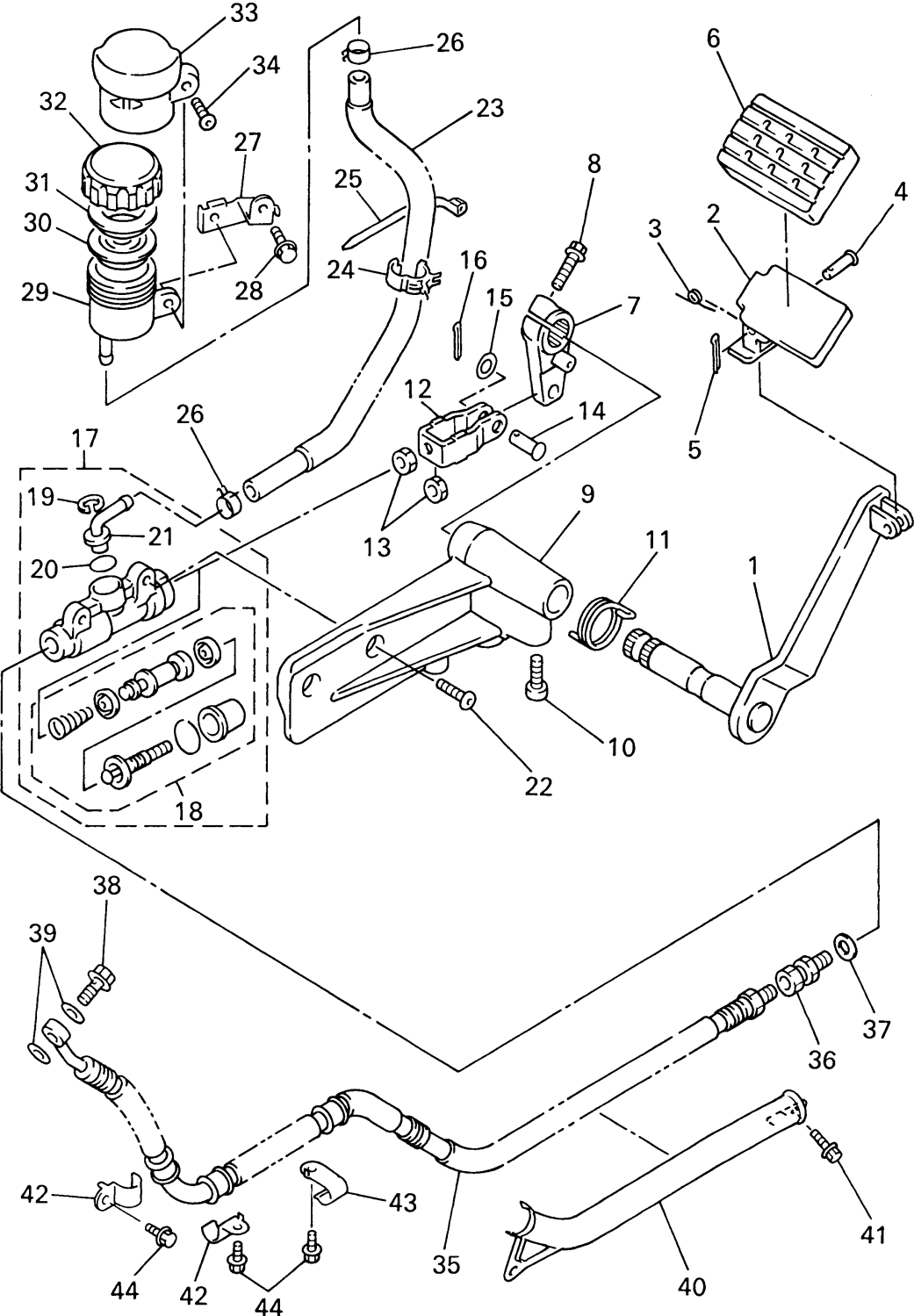
Ref. No.	Part Number	Description	Qty	Remarks
1	4NK-27211-00-00	PEDAL, BRAKE	1	
2	4NK-27242-00-00	PEDAL, BRAKE	1	
3	90508-186B1-00	SPRING, TORSION	1	
4	91701-06022-00	PIN, CLEVIS	1	
5	91401-20012-00	PIN, COTTER	1	
6	4NK-27285-00-00	CAP	1	
7	4NK-27262-00-00	LEVER	1	
8	95024-06025-00	BOLT, FLANGE	1	
9	4NK-2741L-00-00	BRACKET 4	1	
10	91317-08014-00	BOLT	3	
11	4NK-27316-00-00	SPRING, SIDE STAND	1	
12	4NK-27222-00-00	JOINT	1	
13	95307-08700-00	NUT	2	
14	90240-08013-00	PIN, CLEVIS	1	
15	90201-08083-00	WASHER, PLATE	1	
16	91401-16012-00	PIN, COTTER	1	
17	4NK-2583V-00-00	RR. MASTER CYLINDER ASSEMBLY.	1	
18	1FK-W0042-50-00	. CYLINDER KIT, MASTER	1	
19	2VN-25866-00-00	. CIRCLIP	1	
20	93210-15620-00	. O-RING	1	
21	3LD-2582A-00-00	. JOINT	1	
22	92014-08020-00	BOLT, BUTTON HEAD	2	
23	4XY-25895-00-00	HOSE, RESERVOIR	1	
24	90464-20191-00	CLAMP	3	
25	90464-13073-00	CLAMP	1	
26	90467-14057-00	CLIP	2	
27	4XY-21228-00-00	BRACKET, RESERVE TANK ..	1	
28	95027-06012-00	BOLT, FLANGE	1	

CONTINUED ON NEXT FRAME ►



4XY1100-9400

REAR MASTER CYLINDER

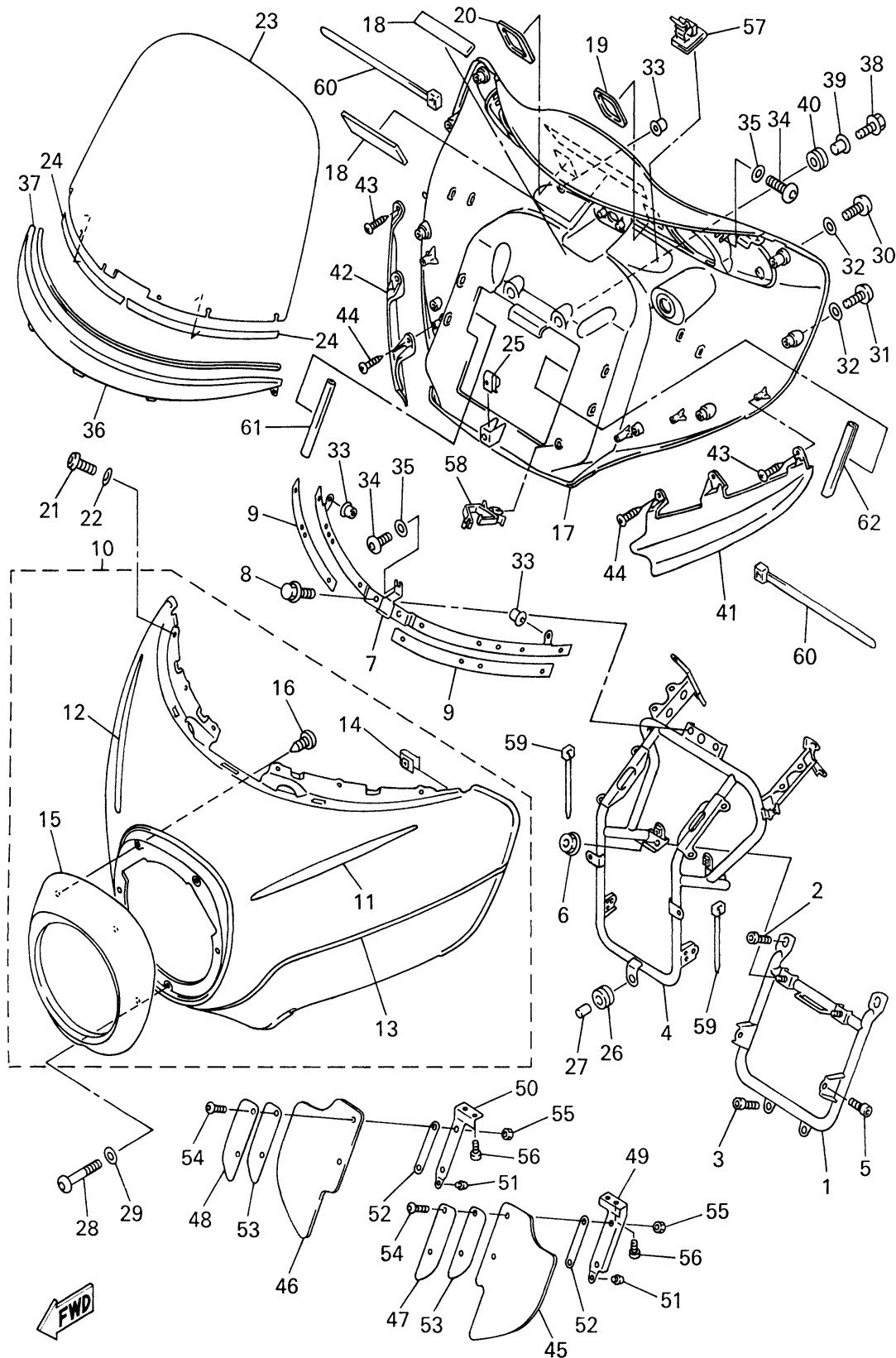


Ref. No.	Part Number	Description	Qty	Remarks
29	31A-25894-01-00	TANK, RESERVOIR	1	
30	360-25854-01-00	DIAPHRAGM, RESERVOIR ...	1	
31	2GU-25855-00-00	BUSH, DIAPHRAGM	1	
32	2KF-25852-50-00	CAP, RESERVOIR	1	
33	4NK-25888-00-00	COVER, RESERVOIR TANK ...	1	
34	92014-06016-00	BOLT, BUTTON HEAD	1	
35	4XY-2581J-00-00	HOSE, BRAKE 4	1	
36	3LC-25885-00-00	JOINT	1	
37	90201-10118-00	WASHER, PLATE	1	
38	90401-10159-00	BOLT, UNION	1	
39	90201-10118-00	WASHER, PLATE	2	
40	4NK-25887-00-00	HOLDER, BRAKE HOSE	1	
41	95024-06012-00	BOLT, FLANGE	2	
42	3XV-25876-00-00	HOLDER, BRAKE HOSE 2	2	
43	4XY-25876-00-00	HOLDER, BRAKE HOSE 2	1	
44	95027-06016-00	BOLT, FLANGE	3	



4XY1100-9400

COWLING 1

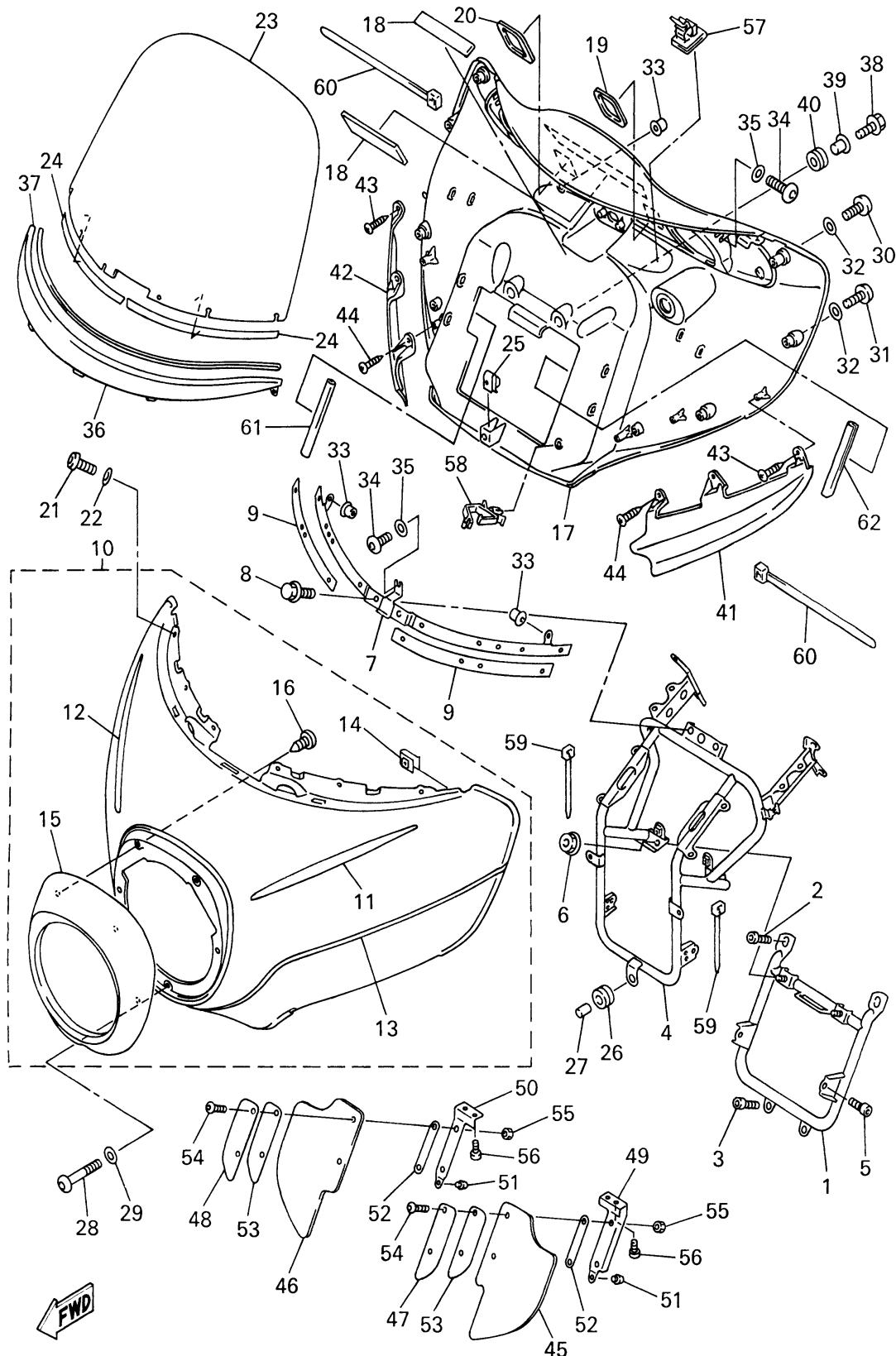


4XY1100-9410

Ref. No.	Part Number	Description	Qty	Remarks
1	4XY-2831R-00-00	STAY, MAIN 1	1	
2	92017-10030-00	BOLT, BUTTON HEAD	2	
3	91317-08016-00	BOLT	2	
4	4XY-28356-00-00	STAY 1	1	
5	91317-08014-00	BOLT	2	
6	95707-08500-00	NUT, FLANGE	2	
7	4XY-28357-00-00	STAY 2	1	
8	95807-06012-00	BOLT, FLANGE	2	
9	4XY-28372-00-00	DAMPER	2	
10	4XY-Y283G-00-0X	BODY, FRONT UPPER 1	1	UR YNM5/MAS
	4XY-Y283G-00-1X	BODY, FRONT UPPER 1	1	UR VDMC1/NM5
11	4XY-2834G-00-00	. MOLE 5	1	
12	4XY-2834H-00-00	. MOLE 6	1	
13	4XY-28390-00-00	. GRAPHIC SET, COWLING	1	UR FOR YNM5
	4XY-28390-10-00	. GRAPHIC SET, COWLING	1	UR FOR VDMC1
14	90183-05024-00	. NUT, SPRING	8	
15	4XY-2835A-00-00	. RIM, HEADLIGHT	1	
16	97707-40014-00	. SCREW, TAPPING	4	
17	4XY-28350-00-P0	COWLING ASSEMBLY	1	UR VDMC1
	4XY-28350-00-P1	COWLING ASSEMBLY	1	UR YNM5
18	1AE-2834E-00-00	DAMPER	2	
19	4XY-2834F-00-00	DAMPER	1	
20	4XY-2834J-00-00	CAP 2	1	
21	92017-05018-00	BOLT, BUTTON HEAD	6	
22	90201-057H5-00	WASHER, PLATE	6	
23	4XY-2837U-00-00	SCREEN	1	
24	4XY-28307-00-00	SEAL	2	
25	90183-06023-00	NUT, SPRING	1	
26	90480-12529-00	GROMMET	1	

CONTINUED ON NEXT FRAME ➤

COWLING 1

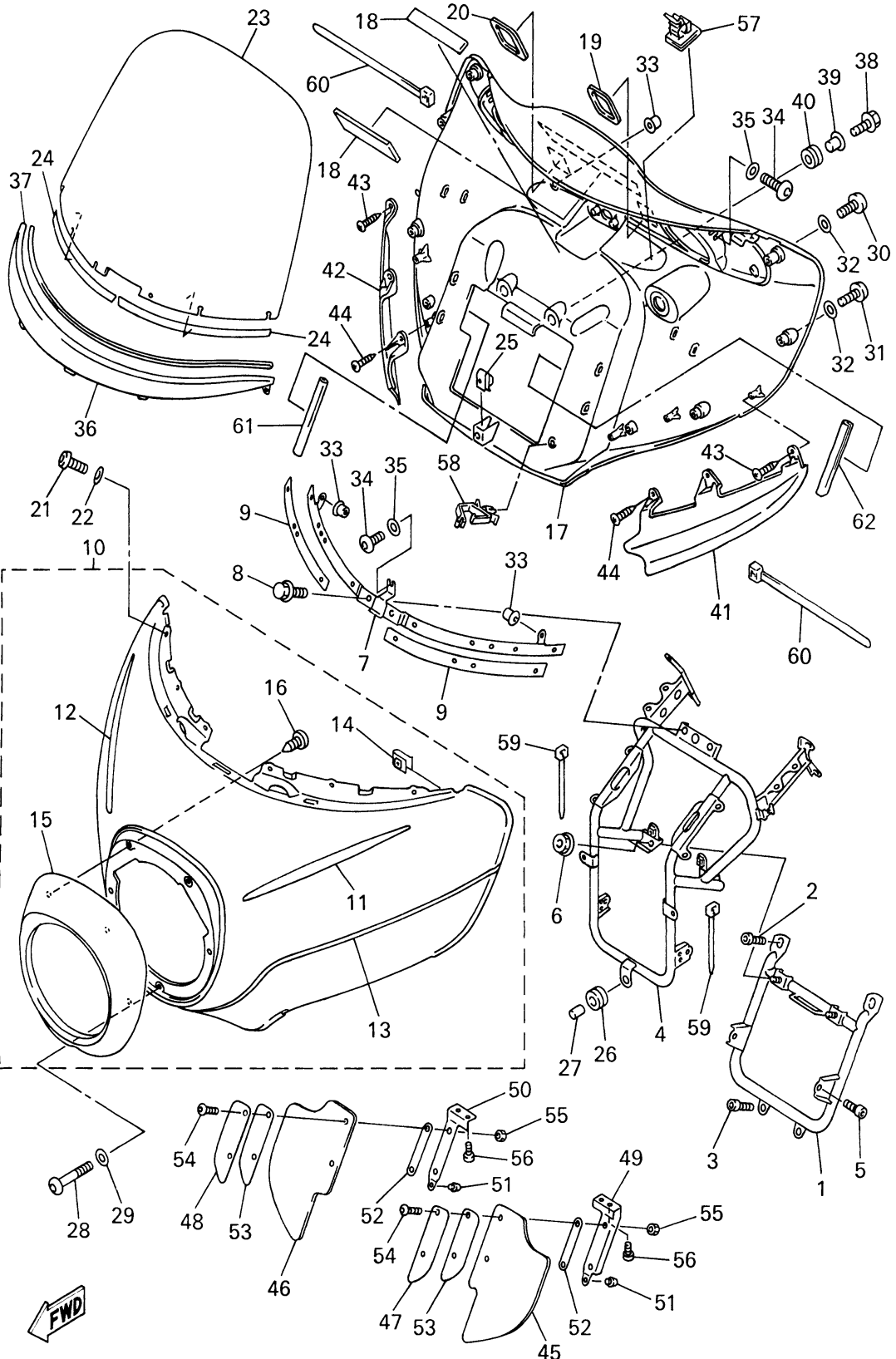


4XY1100-9410

Ref. No.	Part Number	Description	Qty	Remarks
27	90387-067N5-00	COLLAR	1	
28	92014-06050-00	BOLT, BUTTON HEAD	1	
29	90202-06007-00	WASHER, PLATE	1	
30	92014-05035-00	BOLT, BUTTON HEAD	2	
31	92014-05025-00	BOLT, BUTTON HEAD	6	
32	90202-05088-00	WASHER, PLATE	8	
33	90179-05523-00	NUT	3	
34	92017-05012-00	BOLT, BUTTON HEAD	3	
35	90201-057H5-00	WASHER, PLATE	3	
36	4XY-28345-00-00	MOLE 1	1	
37	4XY-28371-00-00	DAMPER	1	
38	95807-06020-00	BOLT, FLANGE	2	
39	90387-067K8-00	COLLAR	2	
40	90480-16233-00	GROMMET	2	
41	4XY-2834V-00-00	PROTECTOR 1	1	
42	4XY-2834W-00-00	PROTECTOR 2	1	
43	97707-50014-00	SCREW, TAPPING	2	
44	97707-60016-00	SCREW, TAPPING	4	
45	4XY-2835U-00-00	PANEL 1	1	
46	4XY-2835V-00-00	PANEL 2	1	
47	4XY-28396-00-00	PLATE 1	1	
48	4XY-28397-00-00	PLATE 2	1	
49	4XY-2836A-00-00	BRACKET 1	1	
50	4XY-2836E-00-00	BRACKET 2	1	
51	5A8-21639-00-00	DAMPER 2	2	
52	4XY-2837J-00-00	DAMPER 5	2	
53	4XY-2837K-00-00	DAMPER 6	2	
54	90111-06008-00	BOLT	4	
55	95304-06700-00	NUT	4	

CONTINUED ON NEXT FRAME ➤

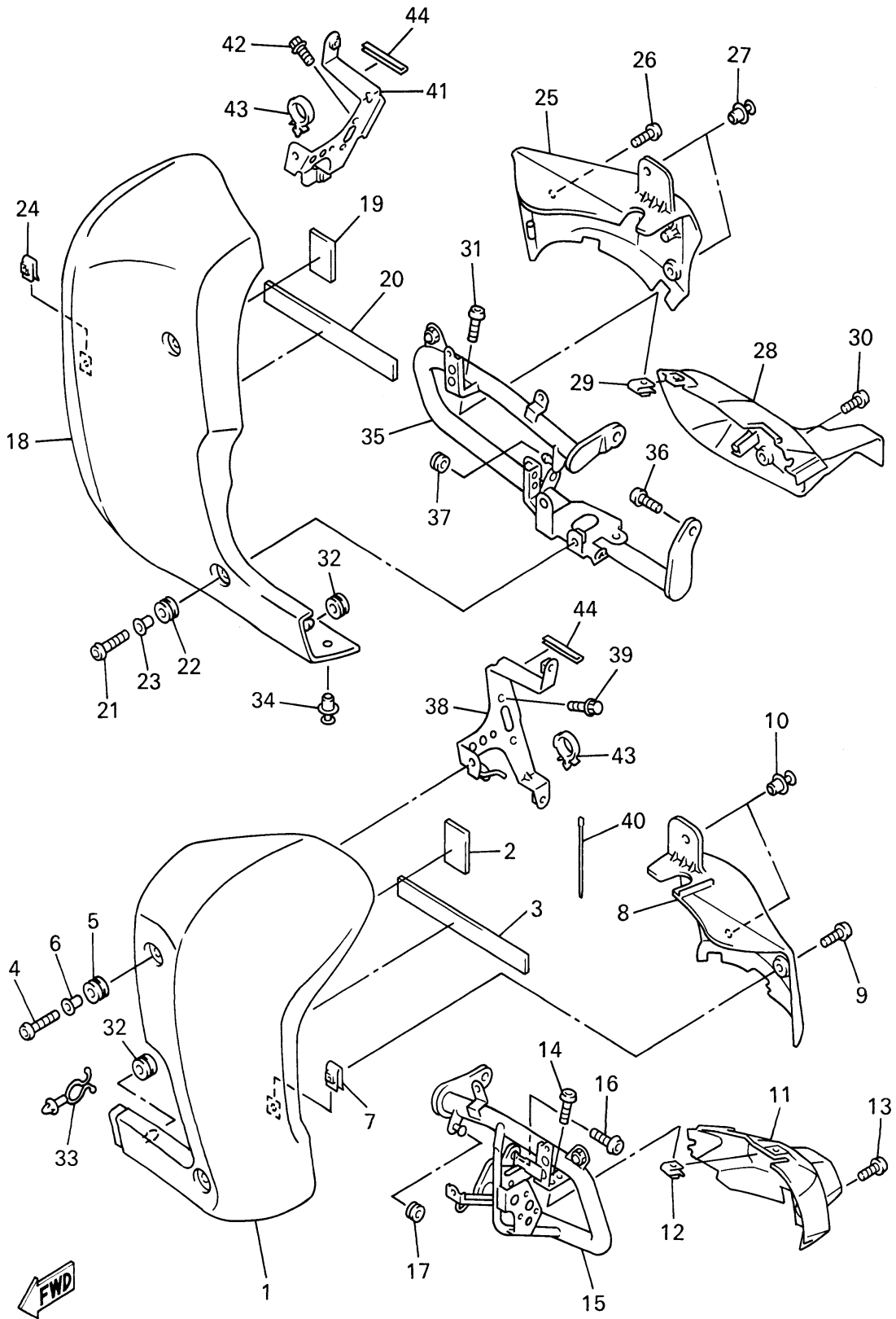
COWLING 1



Ref. No.	Part Number	Description	Qty	Remarks
56	92014-06010-00	BOLT, BUTTON HEAD	4	
57	90464-62085-00	CLAMP	1	
58	90464-16021-00	CLAMP	1	
59	1UA-82591-00-00	BAND	6	
60	90464-20258-00	CLAMP	2	
61	4XY-28347-00-00	MOLE 3	1	
62	4BP-24188-00-00	MOLD, FUEL TANK	1	

4XY1100-9410

COWLING 2



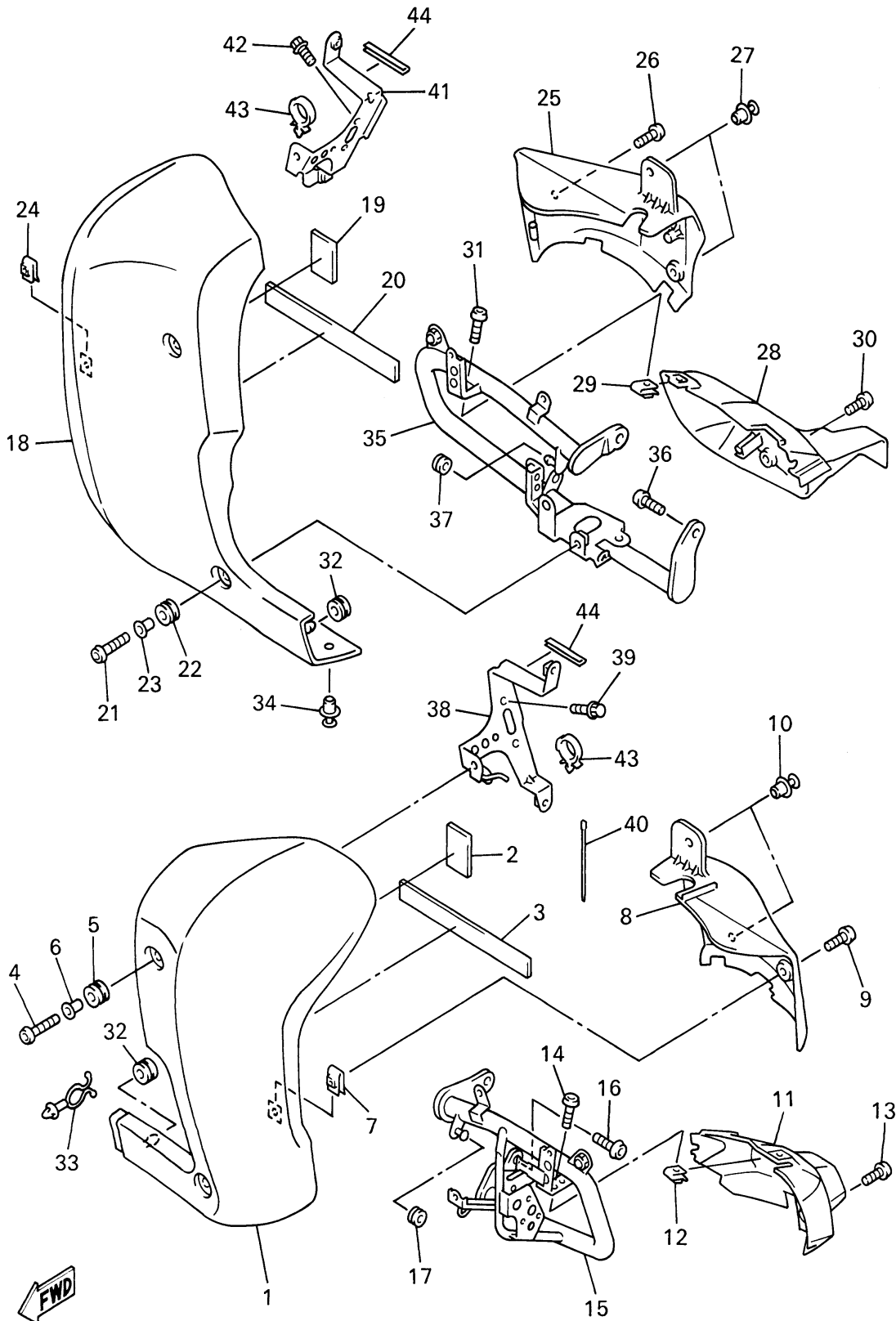
Ref. No.	Part Number	Description	Qty	Remarks
1	4XY-2835J-00-P0	BODY, FRONT LOWER 1	1	UR VDMC1
	4XY-2835J-00-P1	BODY, FRONT LOWER 1	1	UR YNM5
2	22F-2139X-00-00	DAMPER	1	
3	4XY-2139X-00-00	DAMPER	1	
4	90110-06202-00	BOLT, HEXAGON SOCKET HEAD	2	
5	90480-10289-00	GROMMET	2	
6	90387-066Y6-00	COLLAR	2	
7	90183-05024-00	NUT, SPRING	1	
8	4XY-2835N-00-00	BODY, REAR 1	1	
9	90149-05299-00	SCREW	1	
10	90269-06062-00	RIVET	2	
11	4XY-2842M-00-00	COVER 1	1	
12	90183-05024-00	NUT, SPRING	1	
13	90154-05013-00	SCREW, BINDING	1	
14	98907-05010-00	SCREW, BIND	1	
15	4XY-28418-00-00	GUARD, ENGINE 1	1	
16	92017-10030-00	BOLT, BUTTON HEAD	1	
17	90480-11224-00	GROMMET	1	
18	4XY-2835K-00-P0	BODY, FRONT LOWER 2	1	UR VDMC1
	4XY-2835K-00-P1	BODY, FRONT LOWER 2	1	UR YNM5
19	22F-2139X-00-00	DAMPER	1	
20	4XY-2139X-00-00	DAMPER	1	
21	90110-06202-00	BOLT, HEXAGON SOCKET HEAD	2	
22	90480-10289-00	GROMMET	2	
23	90387-066Y6-00	COLLAR	2	
24	90183-05024-00	NUT, SPRING	1	
25	4XY-2835R-00-00	BODY, REAR 2	1	

CONTINUED ON NEXT FRAME ►

4XY1100-9420

XVZ13TFL_LC

COWLING 2

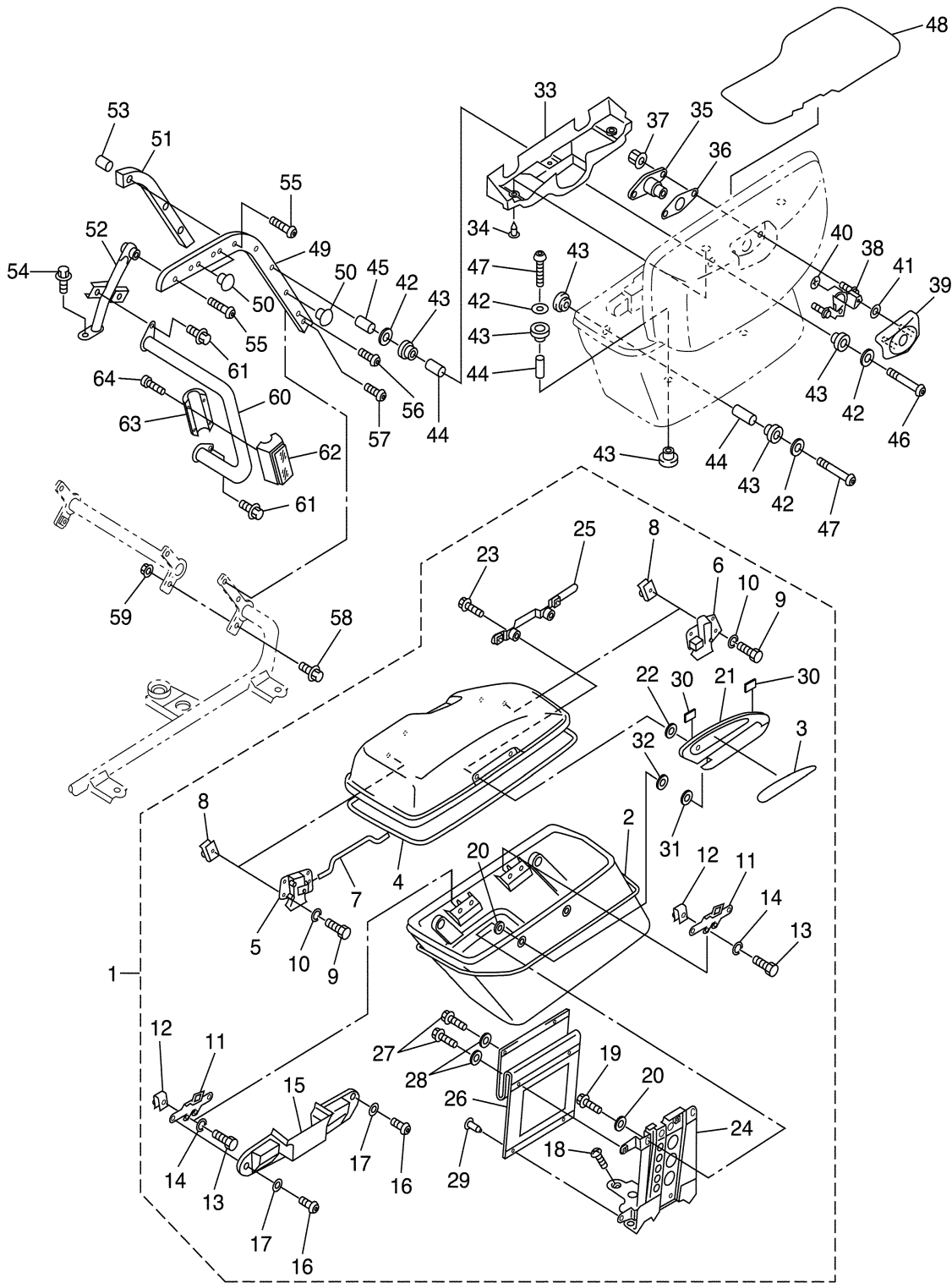


Ref. No.	Part Number	Description	Qty	Remarks
26	90149-05299-00	SCREW	1	
27	90269-06062-00	RIVET	2	
28	4XY-2842N-00-00	COVER 2	1	
29	90183-05024-00	NUT, SPRING	1	
30	90154-05013-00	SCREW, BINDING	1	
31	98907-05010-00	SCREW, BIND	1	
32	90480-01558-00	GROMMET	2	
33	90464-18269-00	CLAMP	1	
34	90269-07076-00	RIVET	1	
35	4XY-28419-00-00	GUARD, ENGINE 2	1	
36	92017-10030-00	BOLT, BUTTON HEAD	1	
37	90480-11224-00	GROMMET	1	
38	4XY-2831T-00-00	STAY, SUPPORT 1	1	
39	95807-06010-00	BOLT, FLANGE	2	
40	90465-10098-00	CLAMP	1	
41	4XY-2832T-00-00	STAY, SUPPORT 2	1	
42	95807-06010-00	BOLT, FLANGE	2	
43	90464-07209-00	CLAMP	2	
44	4XY-28347-00-00	MOLE 3	2	

4XY1100-9420

XVZ13TFL_LC

SADDLEBAG 1



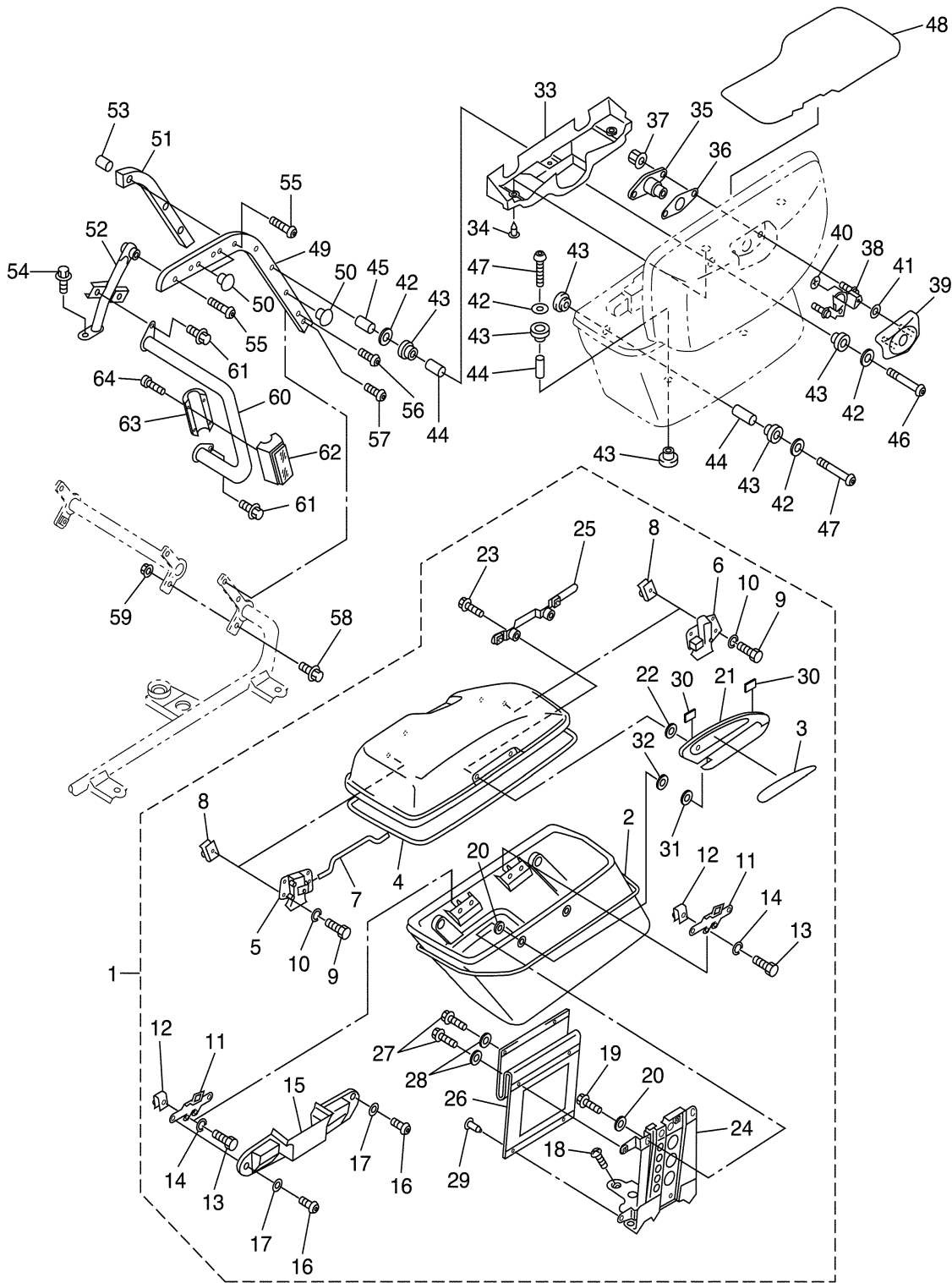
Ref. No.	Part Number	Description	Qty	Remarks
1	4XY-Y2843-00-0X	SADDLEBAG COMP, 1	1	UR YNM5/MAS
	4XY-Y2843-10-1X	SADDLEBAG COMP, 1	1	UR VDMC1/NM5
2	4XY-2840G-00-00	. SADDLEBAG GRAPHIC SET .	1	UR FOR YNM5
	4XY-2840G-10-00	. SADDLEBAG GRAPHIC SET .	1	UR FOR VDMC1
3	4XY-2847A-00-00	. ORNAMENT 1	1	
4	4XY-28428-00-00	. SEAL 1	1	
5	4XY-28494-00-00	. HOOK 3	1	
6	4XY-28495-00-00	. HOOK 4	1	
7	4XY-2841A-00-00	. LEVER	1	
8	90183-05024-00	. NUT, SPRING	4	
9	97007-05012-00	. BOLT	4	
10	92907-05600-00	. WASHER, PLATE	4	
11	4XY-28498-00-00	. HOOK 2	2	
12	90183-05024-00	. NUT, SPRING	4	
13	97007-05016-00	. BOLT	4	
14	92907-05600-00	. WASHER, PLATE	4	
15	4XY-2843J-00-00	. COVER 3	1	
16	92017-05008-00	. BOLT, BUTTON HEAD	4	
17	92907-05600-00	. WASHER, PLATE	4	
18	97707-50020-00	. SCREW, TAPPING	4	
19	92017-05014-00	. BOLT, BUTTON HEAD	2	
20	90201-054K4-00	. WASHER, PLATE	4	
21	4XY-28444-00-00	. HINGE 1	1	
22	90202-08125-00	. WASHER, PLATE	2	
23	92017-05020-00	. BOLT, BUTTON HEAD	2	
24	4XY-28427-00-00	. REINFORCEMENT 1	1	
25	4XY-2847H-00-00	. PLATE 5	1	
26	4XY-2845M-00-00	. STOPPER, OPEN	1	
27	92017-05014-00	. BOLT, BUTTON HEAD	4	

CONTINUED ON NEXT FRAME ➤



4XY1100-9430

SADDLEBAG 1



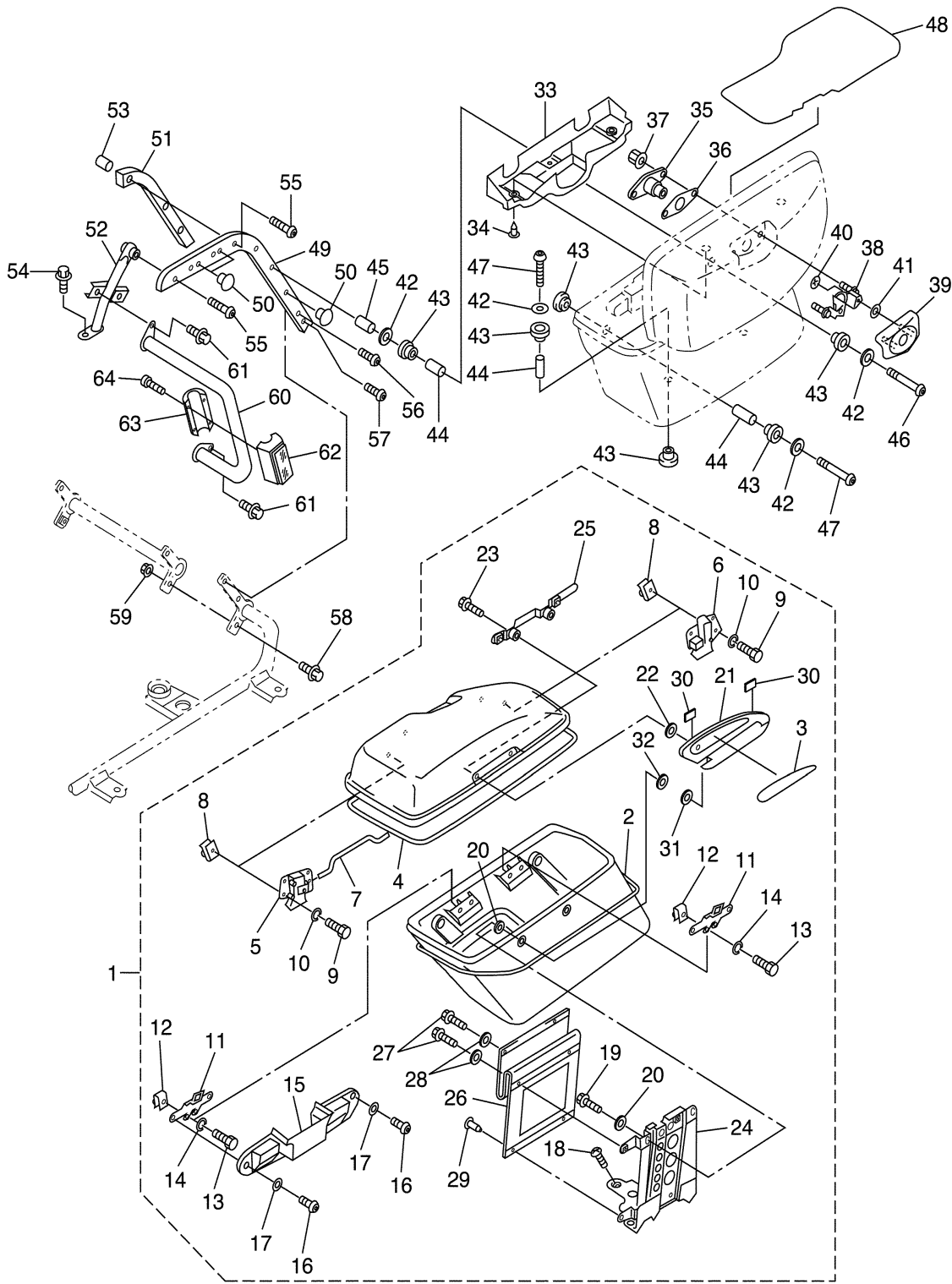
Ref. No.	Part Number	Description	Qty	Remarks
28	92907-05600-00	. WASHER, PLATE	4	
29	90269-05039-00	. RIVET	2	
30	4XY-28499-00-00	. PLATE, RUBBER 4	2	
31	90201-08326-00	. WASHER, PLATE	2	
32	4XY-28429-00-00	. SEAL 2	2	
33	4XY-2849K-00-00	COVER LOCK ASSEMBLY 2 ..	1	
34	90269-06081-00	RIVET	3	
35	4XY-W2843-00-00	LOCK ASS'Y 3	1	
36	4XY-2845J-00-00	PLATE, RUBBER 5	1	
37	95607-05200-00	NUT, SELF-LOCKING	2	
38	4XY-2849H-00-00	PLATE 6	1	
39	4XY-2842A-00-00	COVER 5	1	
40	90183-04005-00	NUT, SPRING	2	
41	4KJ-28371-00-00	DAMPER	2	
42	90201-065G8-00	WASHER, PLATE	5	
43	90480-20447-00	GROMMET	8	
44	90387-084R5-00	COLLAR	4	
45	90387-0811N-00	COLLAR	1	
46	92017-06055-00	BOLT, BUTTON HEAD	1	
47	92017-06035-00	BOLT, BUTTON HEAD	3	
48	4XY-2848K-00-00	SEAT 2	1	
49	4XY-28473-00-00	FRAME, SADDLEBAG 1	1	
50	90338-07259-00	PLUG	3	
51	4YE-28415-00-00	DAMPER 1	1	
52	4YE-28413-01-00	STAY, FRONT GUARD 1	1	
53	90387-0811N-00	COLLAR	1	
54	95807-08014-00	BOLT, FLANGE	1	
55	92014-08040-00	BOLT, BUTTON HEAD	2	
56	92014-08016-00	BOLT, BUTTON HEAD	1	

CONTINUED ON NEXT FRAME ➤



4XY1100-9430

SADDLEBAG 1

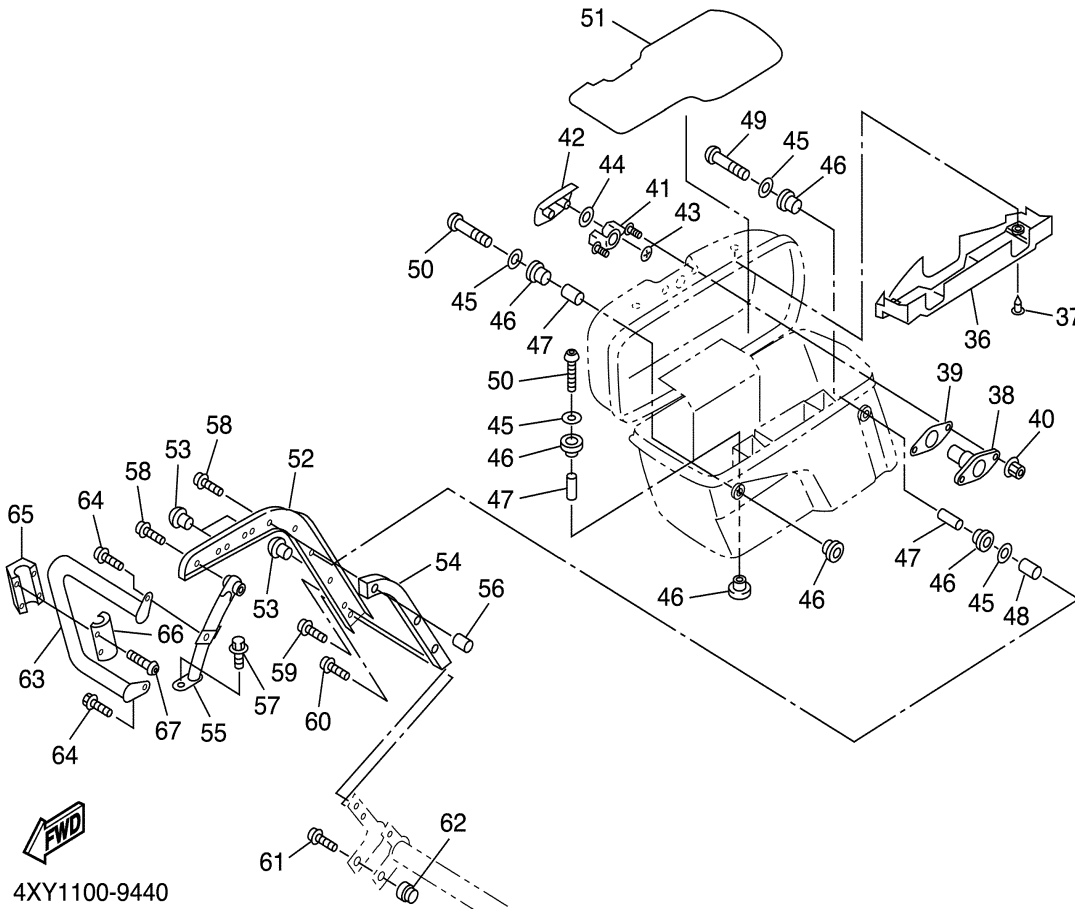
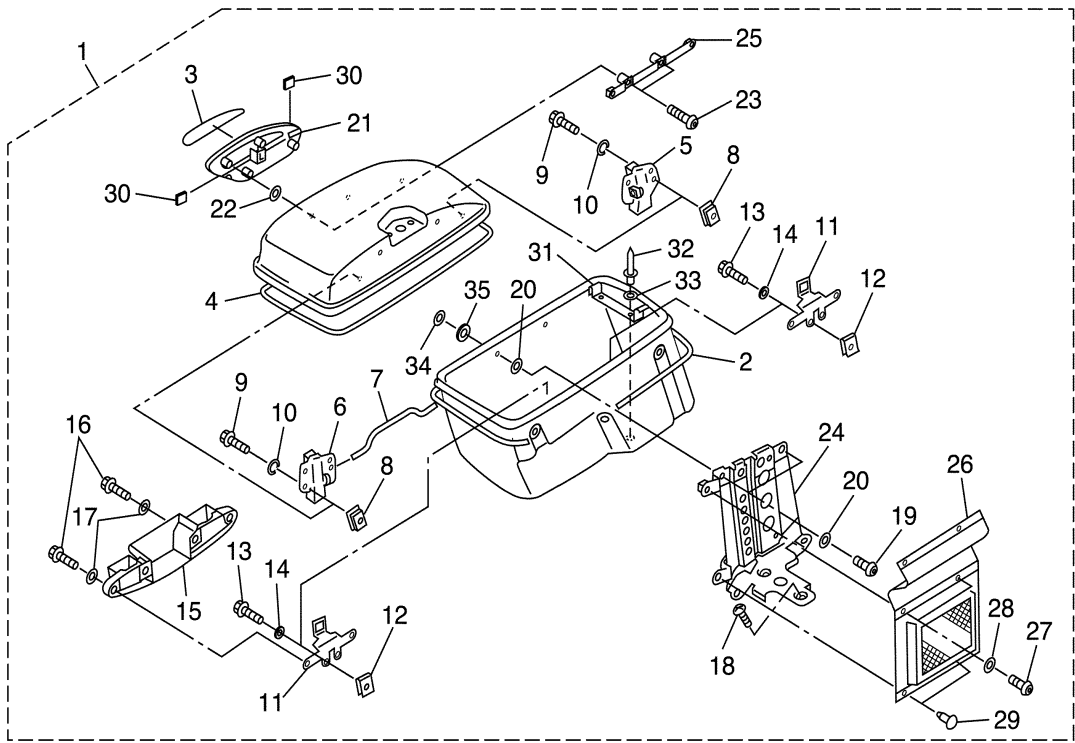


Ref. No.	Part Number	Description	Qty	Remarks
57	92014-08020-00	BOLT, BUTTON HEAD	1	
58	95827-08016-00	BOLT, FLANGE	1	
59	95307-08800-00	NUT	1	
60	4XY-2841K-00-00	GUARD, SADDLEBAG 1	1	
61	95814-08016-00	BOLT, FLANGE	2	
62	4YE-85131-00-00	REFLECTOR, REAR 1	1	
63	4YE-85132-00-00	BRACKET, REFLECTOR 1	1	
64	97707-30514-00	SCREW, TAPPING	4	



4XY1100-9430

SADDLEBAG 2



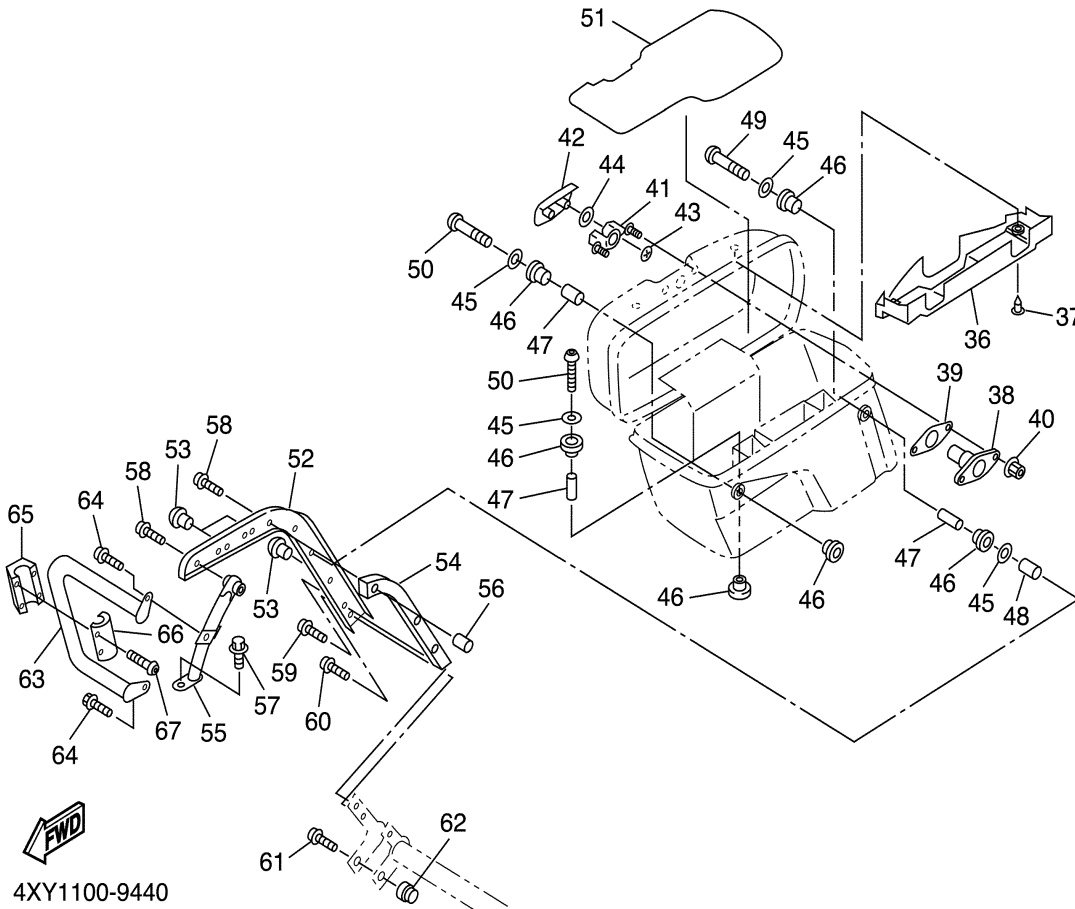
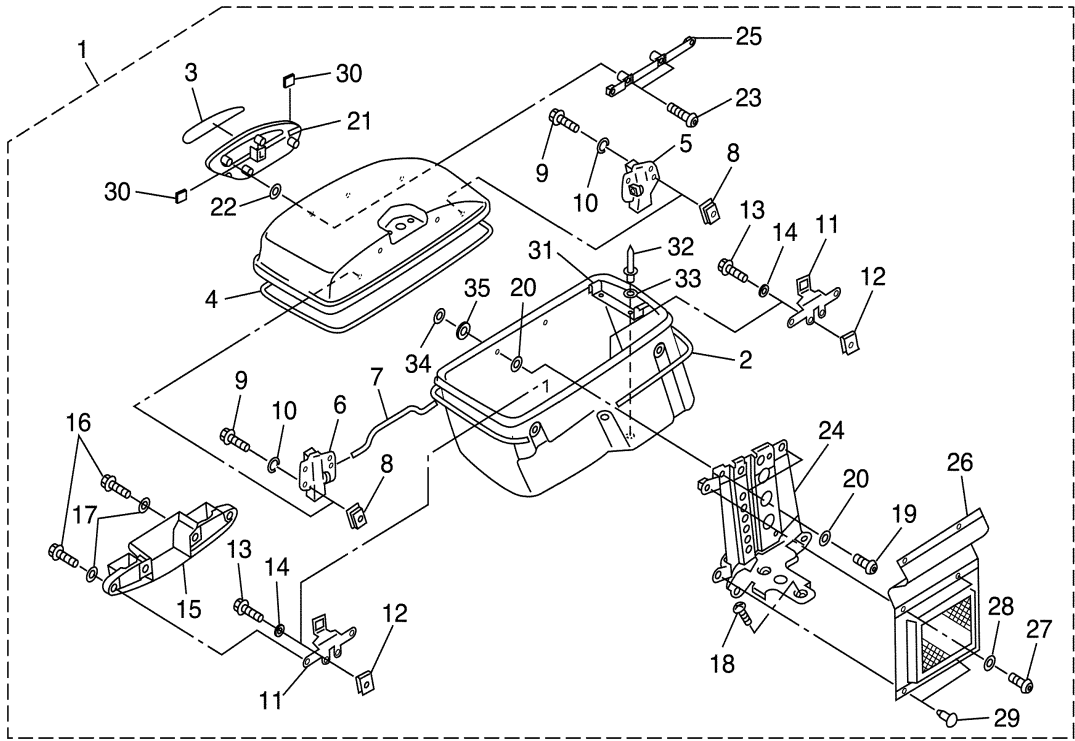
Ref. No.	Part Number	Description	Qty	Remarks
1	4XY-Y2844-00-0X	SADDLEBAG COMP, 2	1	UR YNM5/MAS
	4XY-Y2844-10-1X	SADDLEBAG COMP, 2	1	UR VDMC1/NM5
2	4XY-2840J-00-00	. SADDLEBAG GRAPHIC SET 2	1	UR FOR YNM5
	4XY-2840J-10-00	. SADDLEBAG GRAPHIC SET 2	1	UR FOR VDMC1
3	4XY-2847B-00-00	. ORNAMENT 2	1	
4	4XY-28428-00-00	. SEAL 1	1	
5	4XY-28494-00-00	. HOOK 3	1	
6	4XY-28495-00-00	. HOOK 4	1	
7	4XY-2841A-00-00	. LEVER	1	
8	90183-05024-00	. NUT, SPRING	4	
9	97007-05012-00	. BOLT	4	
10	92907-05600-00	. WASHER, PLATE	4	
11	4XY-28498-00-00	. HOOK 2	2	
12	90183-05024-00	. NUT, SPRING	4	
13	97007-05016-00	. BOLT	4	
14	92907-05600-00	. WASHER, PLATE	4	
15	4XY-2843J-00-00	. COVER 3	1	
16	92017-05008-00	. BOLT, BUTTON HEAD	4	
17	92907-05600-00	. WASHER, PLATE	4	
18	97707-50020-00	. SCREW, TAPPING	4	
19	92017-05014-00	. BOLT, BUTTON HEAD	2	
20	90201-054K4-00	. WASHER, PLATE	4	
21	4XY-28454-00-00	. HING 3	1	
22	90202-08125-00	. WASHER, PLATE	2	
23	92017-05020-00	. BOLT, BUTTON HEAD	2	
24	4XY-28437-00-00	. REINFORCEMENT 2	1	
25	4XY-2847H-00-00	. PLATE 5	1	
26	4XY-2845B-00-00	. STOPPER, OPEN	1	
27	92017-05014-00	. BOLT, BUTTON HEAD	4	

CONTINUED ON NEXT FRAME ➤

4XY1100-9440



SADDLEBAG 2



Ref. No.	Part Number	Description	Qty	Remarks
28	92907-05600-00	. WASHER, PLATE	4	
29	90269-05039-00	. RIVET	2	
30	4XY-28499-00-00	. PLATE, RUBBER 4	2	
31	4XY-2843L-00-00	. PLATE	1	
32	90267-32109-00	. RIVET, BLIND	2	
33	92907-03600-00	. WASHER	2	
34	90201-08326-00	. WASHER, PLATE	2	
35	4XY-28429-00-00	. SEAL 2	2	
36	4XY-2849K-00-00	COVER LOCK ASSEMBLY 2	1	
37	90269-06081-00	RIVET	3	
38	4XY-W2843-00-00	LOCK ASS'Y 3	1	
39	4XY-2845J-00-00	PLATE, RUBBER 5	1	
40	95607-05200-00	NUT, SELF-LOCKING	2	
41	4XY-2849H-00-00	PLATE 6	1	
42	4XY-2843C-00-00	COVER 6	1	
43	90183-04005-00	NUT, SPRING	2	
44	4KJ-28371-00-00	DAMPER	2	
45	90201-065G8-00	WASHER, PLATE	5	
46	90480-20447-00	GROMMET	8	
47	90387-084R5-00	COLLAR	4	
48	90387-0811N-00	COLLAR	1	
49	92017-06055-00	BOLT, BUTTON HEAD	1	
50	92017-06035-00	BOLT, BUTTON HEAD	3	
51	4XY-2848K-00-00	SEAT 2	1	
52	4XY-28474-00-00	FRAME, SADDLEBAG 2	1	
53	90338-07259-00	PLUG	3	
54	4YE-28416-00-00	DAMPER 2	1	
55	4YE-28414-01-00	STAY, FRONT GUARD 2	1	
56	90387-0811N-00	COLLAR	1	

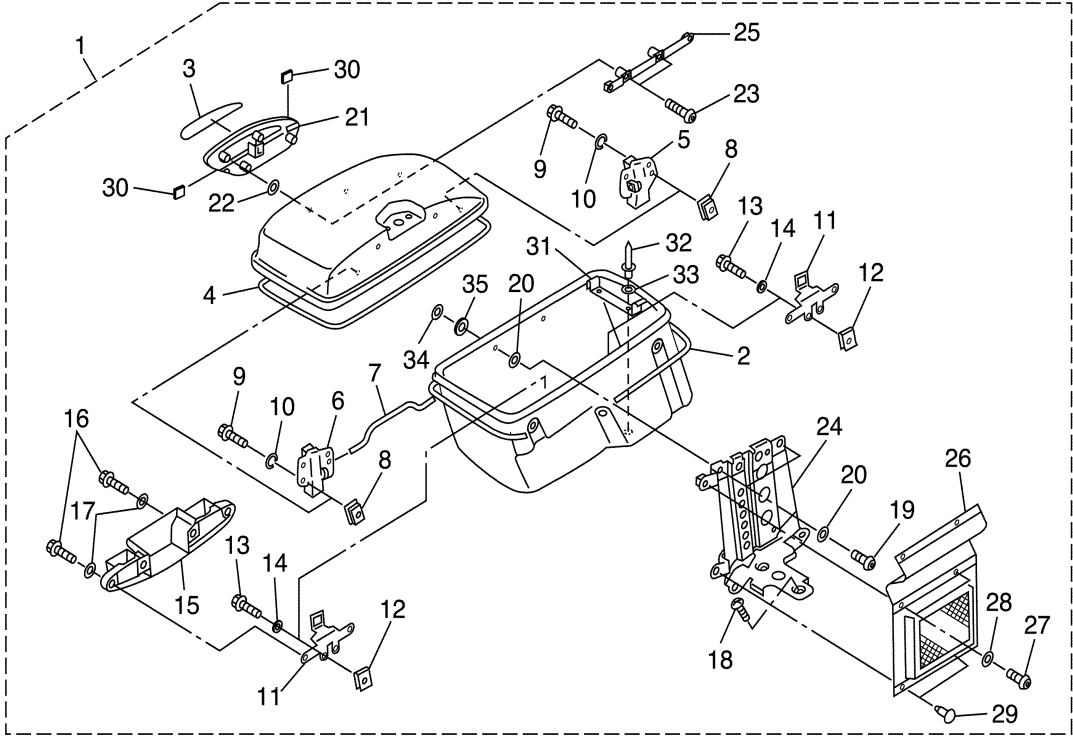
CONTINUED ON NEXT FRAME ➤



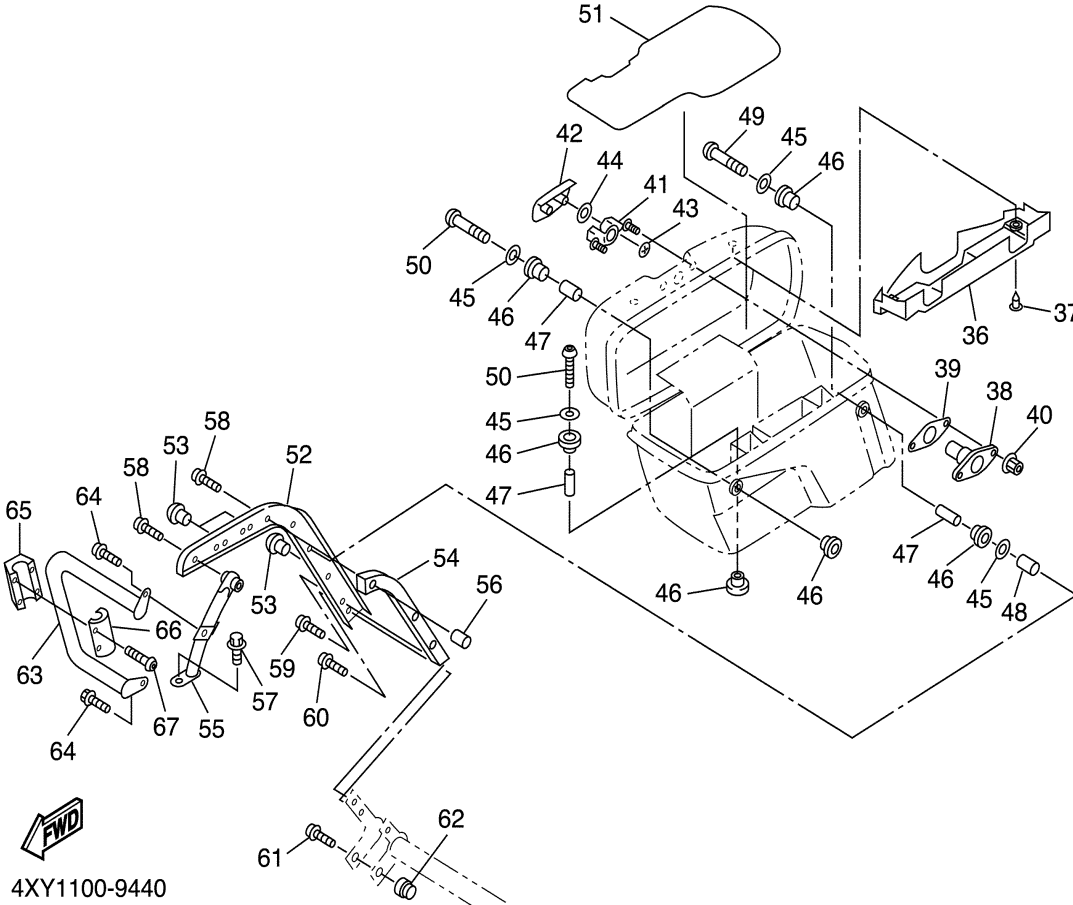
4XY1100-9440

XVZ13TFL_LC

SADDLEBAG 2

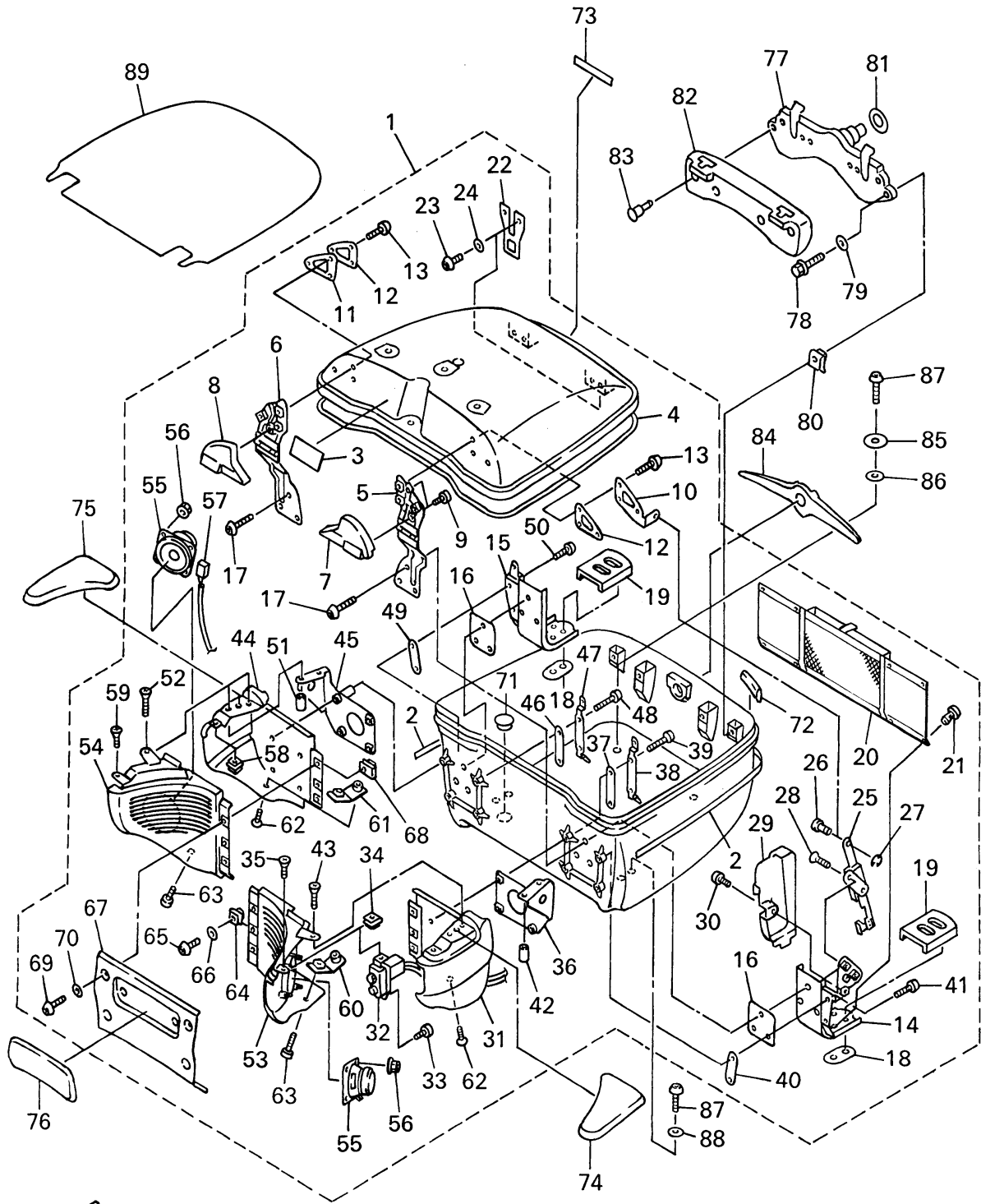


Ref. No.	Part Number	Description	Qty	Remarks
57	95807-08014-00	BOLT, FLANGE	1	
58	92014-08040-00	BOLT, BUTTON HEAD	2	
59	92014-08016-00	BOLT, BUTTON HEAD	1	
60	92014-08020-00	BOLT, BUTTON HEAD	1	
61	95827-08016-00	BOLT, FLANGE	1	
62	95307-08800-00	NUT	1	
63	4XY-2842K-00-00	GUARD, SADDLEBAG 2	1	
64	95814-08016-00	BOLT, FLANGE	2	
65	4YE-85131-00-00	REFLECTOR, REAR 1	1	
66	4YE-85132-00-00	BRACKET, REFLECTOR 1	1	
67	97707-30514-00	SCREW, TAPPING	4	



 4XY1100-9440

TRAVEL BAG



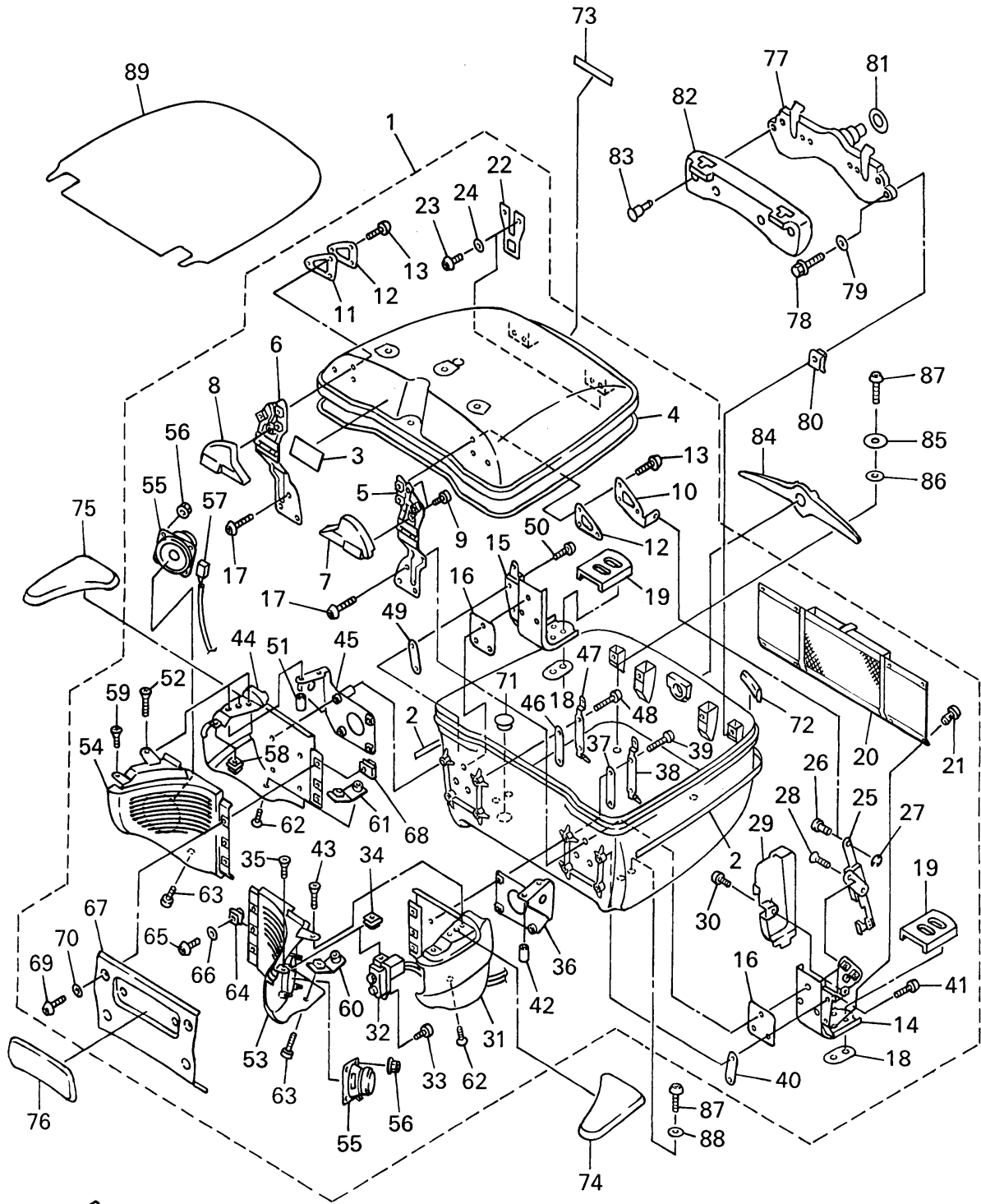
Ref. No.	Part Number	Description	Qty	Remarks
1	4XY-Y284E-11-0X	TRAVEL TRUNK COMP.	1	UR YNM5/MAS CALIFORNIA
	4XY-Y284E-21-0X	TRAVEL TRUNK COMP.	1	UR YNM5/MAS
	4XY-Y284E-41-1X	TRAVEL TRUNK COMP.	1	UR VDMC1/NM5 CALIFORNIA
	4XY-Y284E-51-1X	TRAVEL TRUNK COMP.	1	UR VDMC1/NM5
2	4XY-2840H-00-00	. GRAPHIC SET, TRAVEL TRUNK	1	UR FOR YNM5
	4XY-2840H-10-00	. GRAPHIC SET, TRAVEL TRUNK	1	UR FOR VDMC1
3	4XY-2179R-01-00	PLATE, EPA 2 (CALIFORNIA) .	1	
	4XY-2179V-00-00	. PLATE, EPA 1 (NON CALIFORNIA)	1	
4	4XY-28428-00-00	. SEAL 1	1	
5	4XY-2845E-01-00	. HINGE 2	1	
6	4XY-2849E-01-00	. HINGE 4	1	
7	4XY-2846K-00-P0	. COVER, HINGE 1	1	UR YNM5
	4XY-2846K-00-P1	. COVER, HINGE 1	1	UR VDMC1
8	4XY-2846L-00-P0	. COVER, HINGE 2	1	UR YNM5
	4XY-2846L-00-P1	. COVER, HINGE 2	1	UR VDMC1
9	97707-40010-00	. SCREW, TAPPING	4	
10	4XY-28487-00-00	. PLATE 2	1	
11	4XY-28497-00-00	. PLATE 3	1	
12	4XY-28485-00-00	. PLATE, RUBBER 3	2	
13	92017-05014-00	. BOLT, BUTTON HEAD	6	
14	4XY-28486-01-00	. BRACKET 5	1	
15	4XY-28496-01-00	. BRACKET 6	1	
16	4XY-28484-00-00	. PLATE, RUBBER 2	2	
17	92017-05020-00	. BOLT, BUTTON HEAD	6	
18	4XY-28483-00-00	. PLATE, RUBBER 1	2	

CONTINUED ON NEXT FRAME ►



4XY1100-9450

TRAVEL BAG



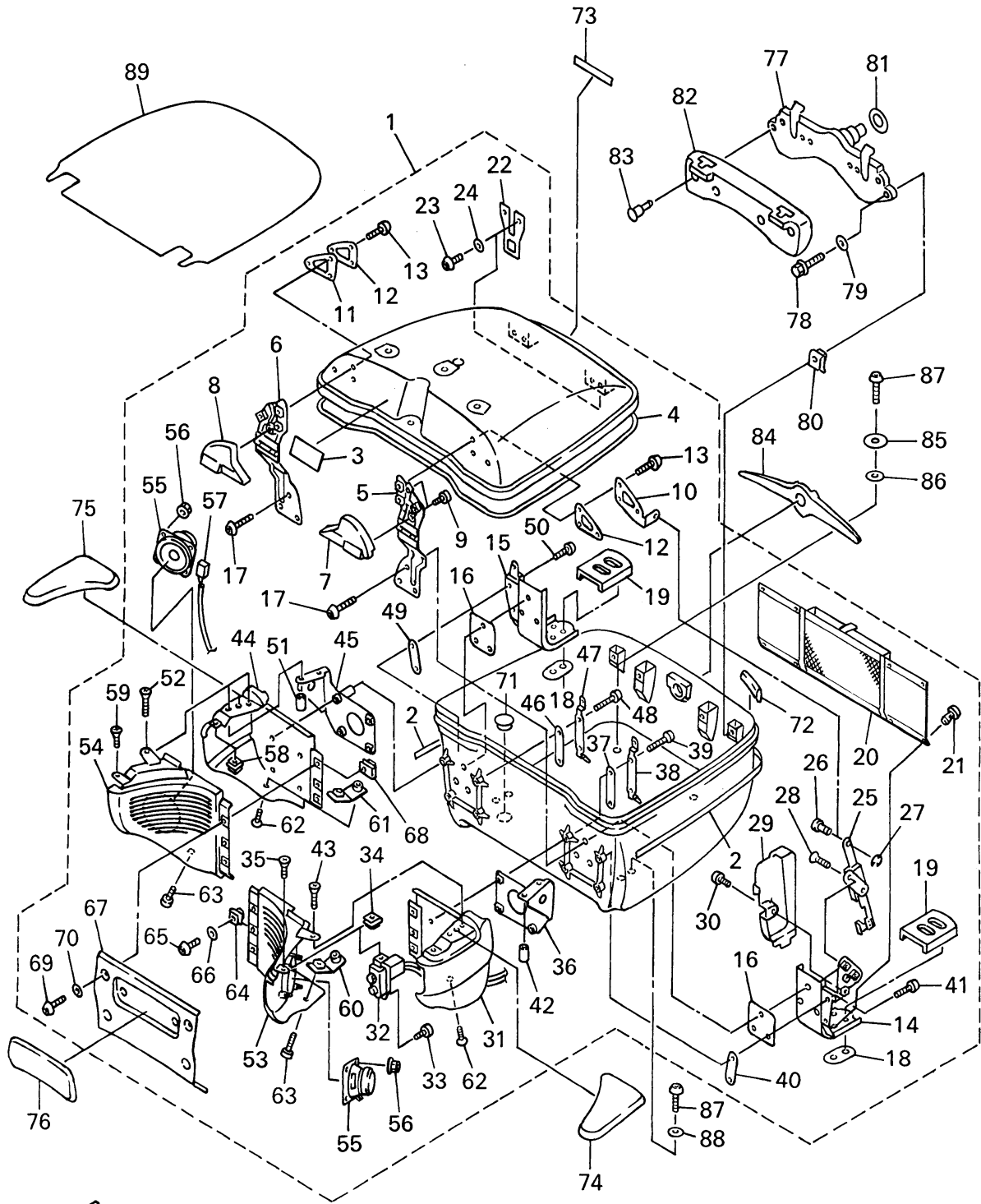
Ref. No.	Part Number	Description	Qty	Remarks
19	4XY-2848M-00-00	. SEAT 4	2	
20	4XY-2848L-00-00	. SEAT 3	1	
21	90269-05039-00	. RIVET	8	
22	4XY-28488-00-00	. HOOK	2	
23	92017-05008-00	. BOLT, BUTTON HEAD	4	
24	90201-05725-00	. WASHER, PLATE	4	
25	4XY-2845L-01-00	. STOPPER, OPEN	1	
26	4XY-2842L-00-00	. PIN, STOPPER	1	
27	99001-04600-00	. CIRCLIP	1	
28	98707-04010-00	. SCREW, FLAT HEAD	2	
29	4XY-2843F-00-00	. COVER ASSEMBLY	1	
30	92017-05010-00	. BOLT, BUTTON HEAD	1	
31	4XY-8816E-01-P0	. BASE, REMOCON.	1	UR YNM5
	4XY-8816E-01-P1	. BASE, REMOCON.	1	UR VDMC1
32	4XY-88169-01-00	. REMOTE CONTROL 1	1	
33	97707-40010-00	. SCREW, TAPPING	1	
34	90183-05024-00	. NUT, SPRING	1	
35	98707-05014-00	. SCREW, FLAT HEAD	1	
36	4XY-28426-00-00	. BRACKET 1	1	
37	4XY-2848J-00-00	. PLATE, RUBBER 8	1	
38	4XY-2841R-00-00	. PLATE, BOTTOM	1	
39	92017-06030-00	. BOLT, BUTTON HEAD	2	
40	4XY-2847J-00-00	. PLATE, RUBBER 7	1	
41	92017-05014-00	. BOLT, BUTTON HEAD	2	
42	90179-05523-00	. NUT	2	
43	98707-05020-00	. SCREW, FLAT HEAD	2	
44	4XY-2841L-01-P0	. BODY	1	UR YNM5
	4XY-2841L-01-P1	. BODY	1	UR VDMC1
45	4XY-28436-00-00	. BRACKET 2	1	

CONTINUED ON NEXT FRAME ➤



4XY1100-9450

TRAVEL BAG



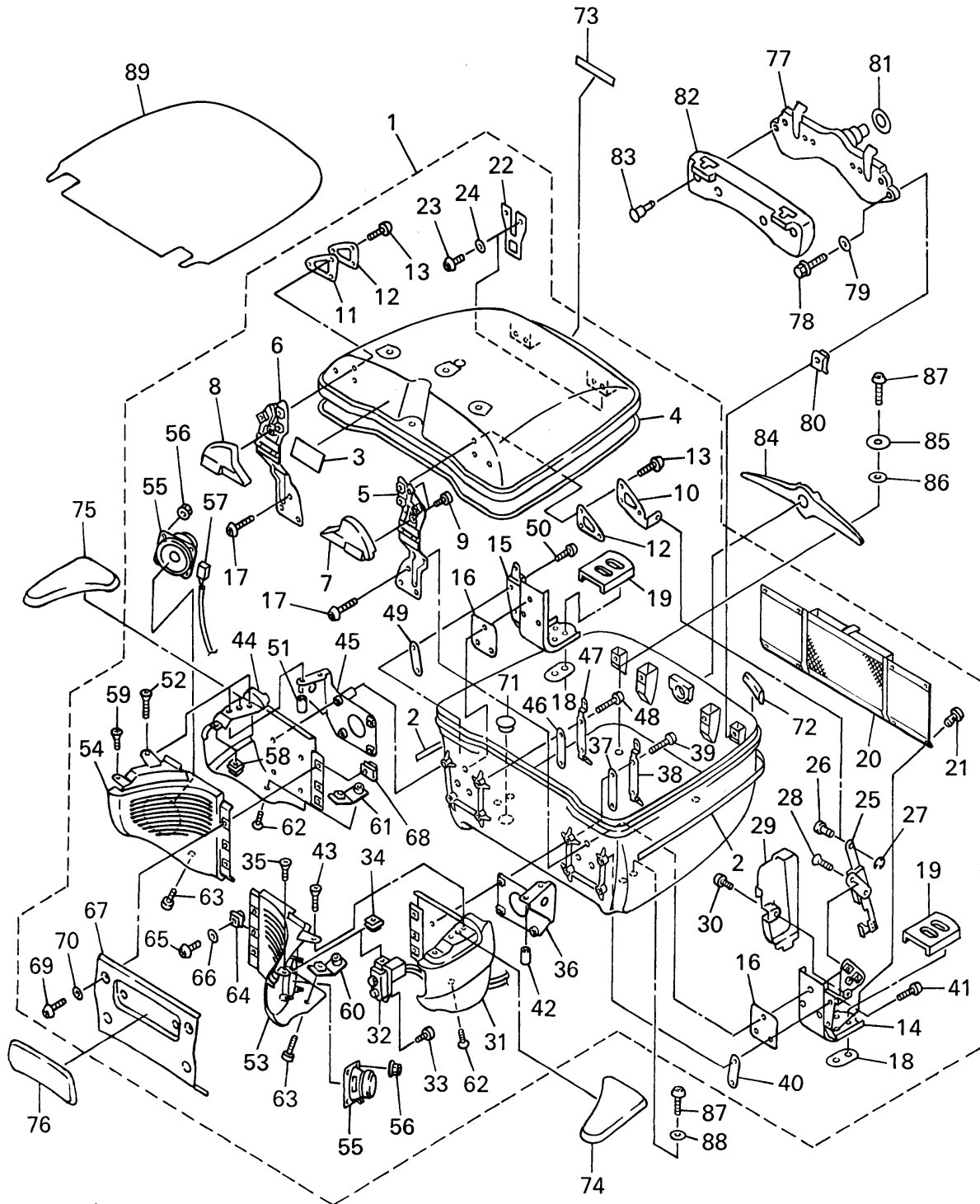
Ref. No.	Part Number	Description	Qty	Remarks
46	4XY-2848J-00-00	. PLATE, RUBBER 8	1	
47	4XY-2841R-00-00	. PLATE, BOTTOM	1	
48	92017-06030-00	. BOLT, BUTTON HEAD	2	
49	4XY-2847J-00-00	. PLATE, RUBBER 7	1	
50	92017-05014-00	. BOLT, BUTTON HEAD	2	
51	90179-05523-00	. NUT	2	
52	98707-05020-00	. SCREW, FLAT HEAD	2	
53	4XY-88165-01-P0	. GRILLE, SPEAKER 1	1	UR YNM5
	4XY-88165-01-P1	. GRILLE, SPEAKER 1	1	UR VDMC1
54	4XY-88175-01-P0	. GRILLE, SPEAKER 2	1	UR YNM5
	4XY-88175-01-P1	. GRILLE, SPEAKER 2	1	UR VDMC1
55	4XY-88161-00-00	. SPEAKER 1	2	
56	95707-05500-00	. NUT, FLANGE	8	
57	4XY-88176-00-00	. CORD	1	
58	90183-05024-00	. NUT, SPRING	1	
59	98707-05016-00	. SCREW, FLAT HEAD	1	
60	4XY-2846H-01-00	. PLATE, 4	1	
61	4XY-28417-01-00	. PLATE	1	
62	90152-05009-00	. SCREW, COUNTERSUNK	2	
63	90154-05064-00	. SCREW, BINDING	2	
64	90183-05024-00	. NUT, SPRING	2	
65	98507-05012-00	. SCREW, PAN HEAD	2	
66	92907-05600-00	. WASHER, PLATE	2	
67	4XY-2844J-00-P0	. COVER 4	1	UR YNM5
	4XY-2844J-00-P1	. COVER 4	1	UR VDMC1
68	90183-05024-00	. NUT, SPRING	4	
69	92014-05014-00	. BOLT, BUTTON HEAD	4	
70	90202-05088-00	. WASHER, PLATE	4	
71	90338-24260-00	. PLUG	1	

CONTINUED ON NEXT FRAME ➤



4XY1100-9450

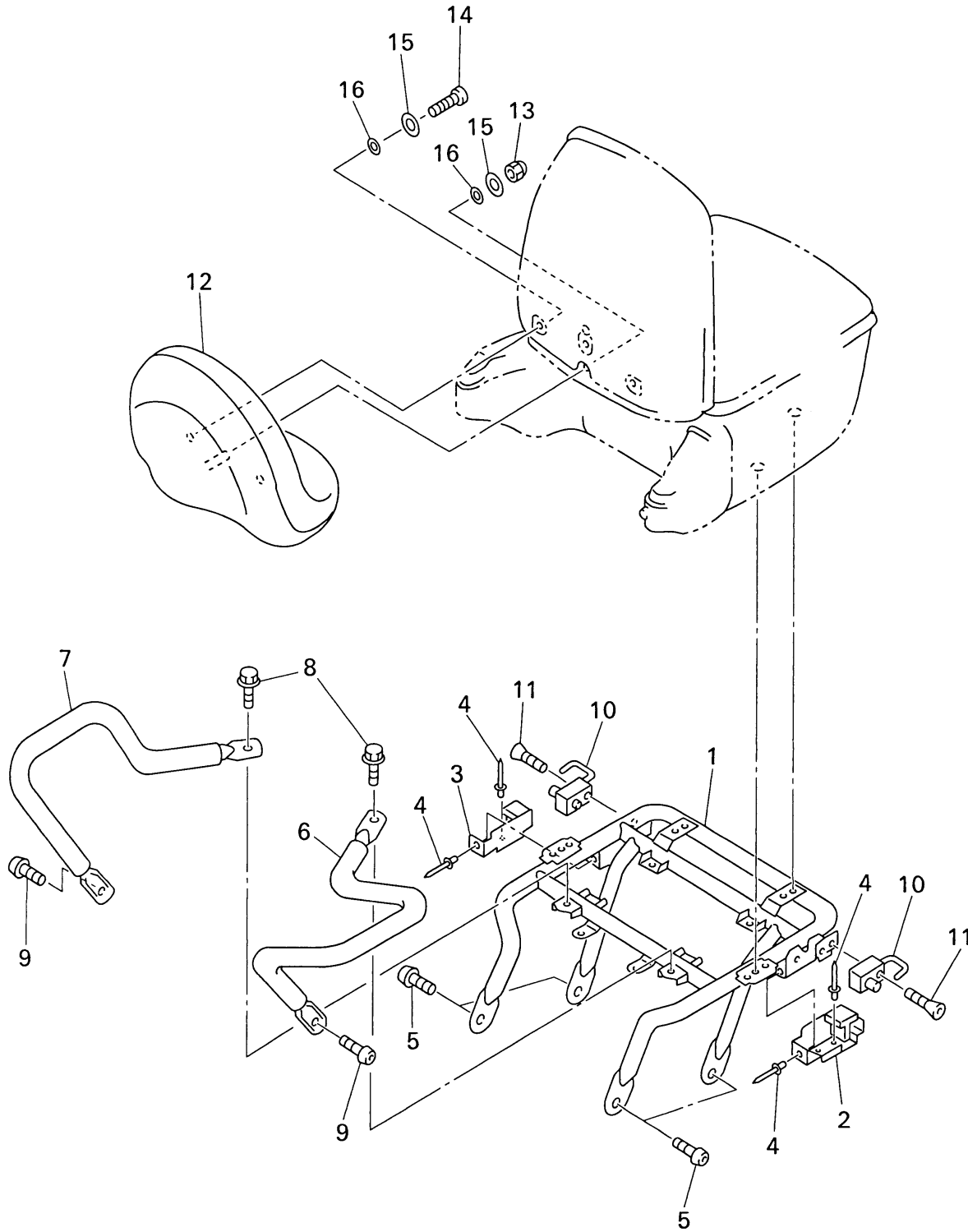
TRAVEL BAG



4XY1100-9450

Ref. No.	Part Number	Description	Qty	Remarks
72	1JK-21268-00-00	. SEAL	2	
73	99234-00080-00	EMBLEM, YAMAHA	1	UR FOR YNM5
	99237-00080-00	EMBLEM, YAMAHA	1	UR FOR VDMC1
74	4XY-2848N-00-00	SEAT 5	1	
75	4XY-2848P-00-00	SEAT 6	1	
76	4XY-2848R-00-00	SEAT 7	1	
77	4XY-W2841-00-00	LOCK ASS'Y 1	1	
78	97007-05020-00	BOLT	4	
79	92907-05600-00	WASHER, PLATE	4	
80	90183-05024-00	NUT, SPRING	4	
81	4KN-2475M-00-00	SEAL	1	
82	4XY-28493-00-00	COVER LOCK ASSEMBLY 2 ..	1	
83	90269-06001-00	RIVET	4	
84	4XY-28445-00-00	EMBLEM	1	
85	90201-065G8-00	WASHER, PLATE	2	
86	90202-06058-00	WASHER, PLATE	2	
87	92017-06016-00	BOLT, BUTTON HEAD	6	
88	92907-06600-00	WASHER, PLATE (92906-06600-00)	4	
89	4XY-2848H-00-00	SEAT	1	

TRAVEL BAG 2



Ref. No.	Part Number	Description	Qty	Remarks
1	4XY-28475-00-00	FRAME, TRAVEL TRUNK	1	
2	4XY-2845K-00-00	PLATE, RUBBER 0	1	
3	4XY-2846J-00-00	PLATE, RUBBER 6	1	
4	90269-05039-00	RIVET	8	
5	92014-08020-00	BOLT, BUTTON HEAD	4	
6	4XY-2474A-00-00	ASSIST, GRIP	1	
7	4XY-2474W-00-00	ASSIST, GRIP 2	1	
8	95024-08020-00	BOLT, FLANGE	2	
9	92014-08025-00	BOLT, BUTTON HEAD	2	
10	4R8-21398-00-00	HANGER, HELMET	2	
11	90149-06154-00	SCREW	2	
12	4XY-2840F-01-00	BACK REST ASSEMBLY	1	
13	95307-06800-00	NUT	1	
14	98907-06016-00	SCREW, BIND	3	
15	90201-065G8-00	WASHER, PLATE	4	
16	90202-06058-00	WASHER, PLATE	4	

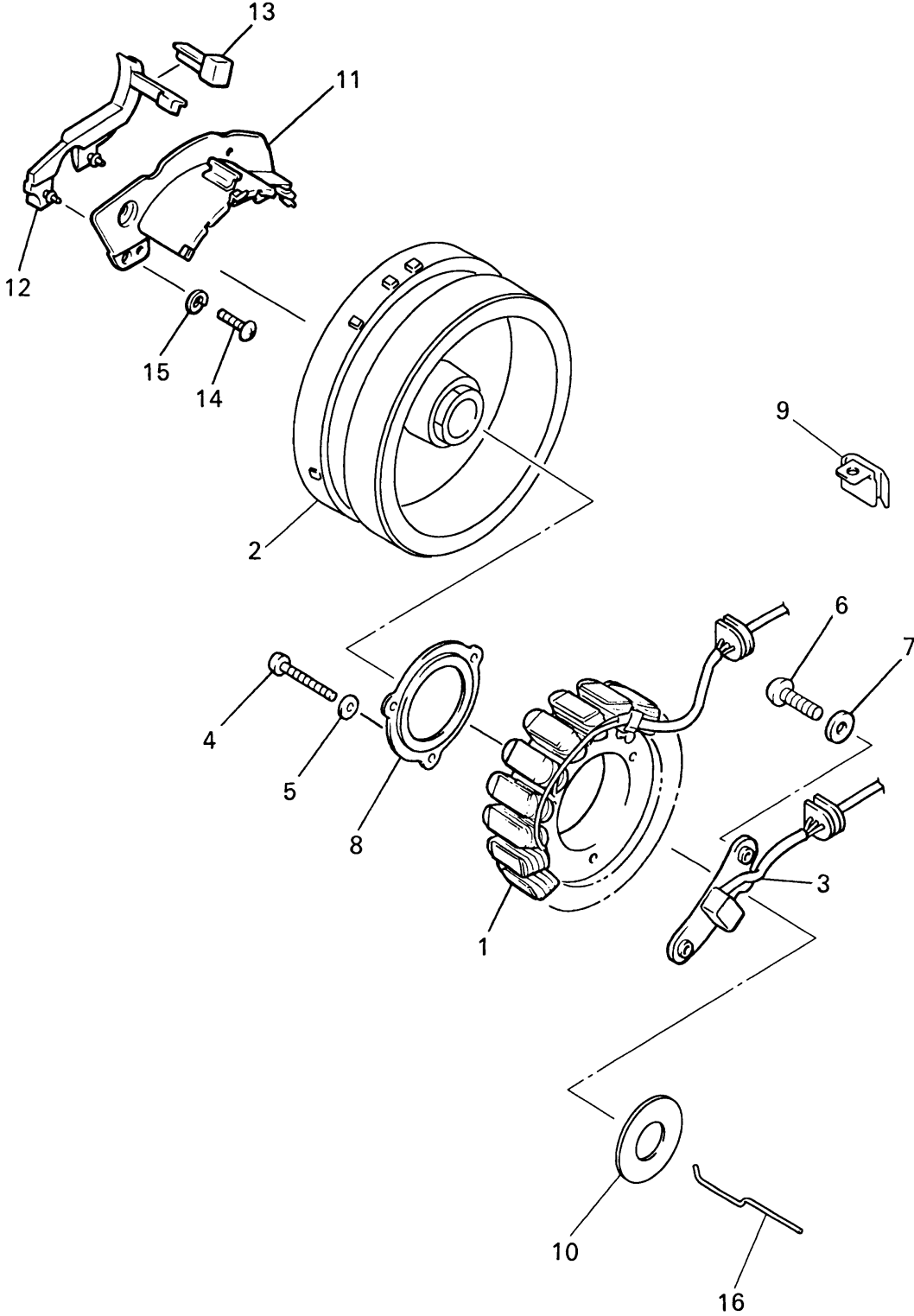


4XY1100-9460

XVZ13TFL_LC

H2

GENERATOR

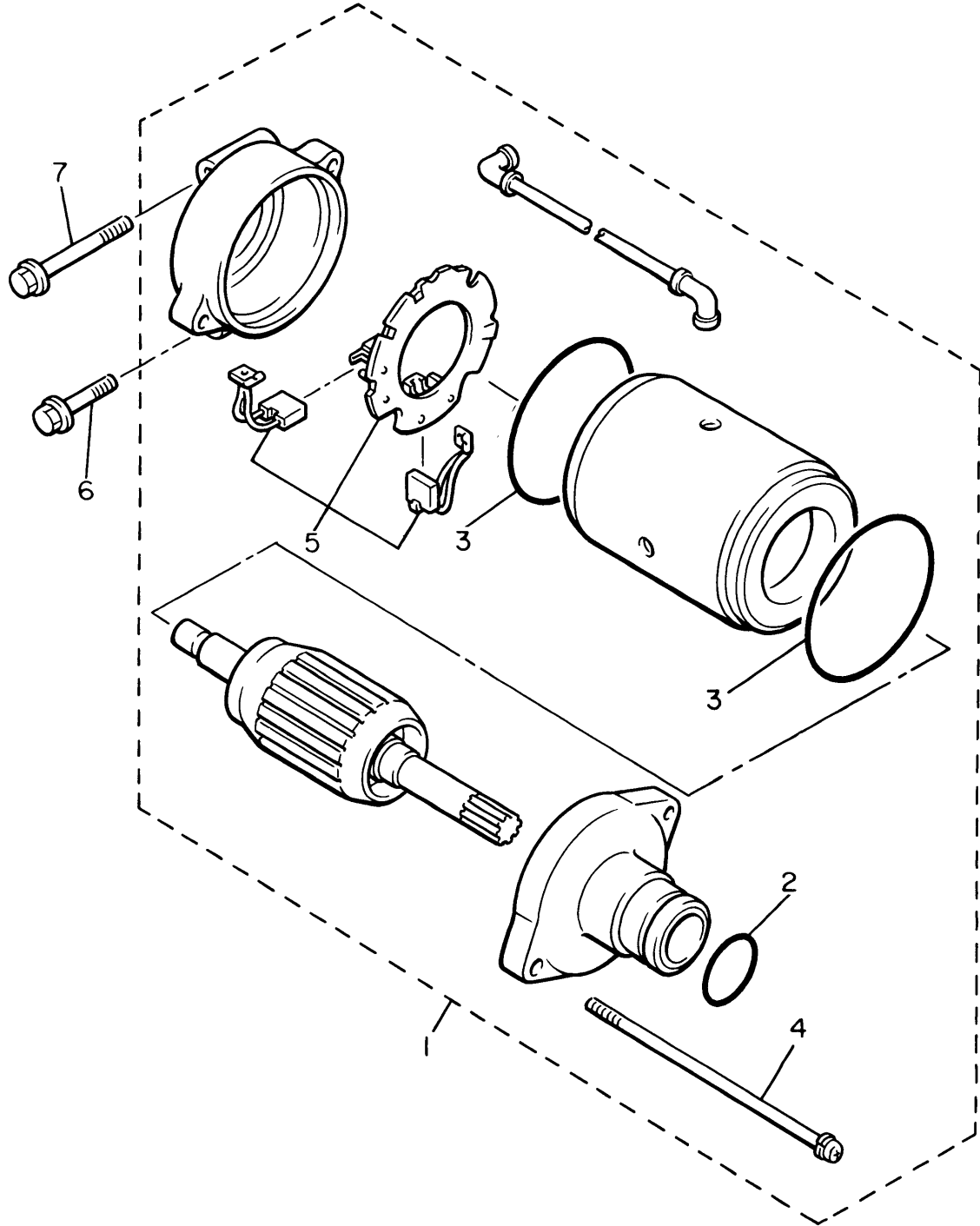


Ref. No.	Part Number	Description	Qty	Remarks
1	4XY-81410-00-00	STATOR ASSEMBLY	1	
2	4XY-81450-00-00	ROTOR ASSEMBLY	1	
3	4NK-81670-00-00	PICK-UP ASSEMBLY	1	
4	98507-06035-00	SCREW, PAN HEAD	3	
5	92907-06600-00	WASHER, PLATE (92906-06600-00)	3	
6	98507-06016-00	SCREW, WITH WASHER	2	
7	90201-06674-00	WASHER, PLATE	2	
8	4NK-15113-00-00	PLATE	1	
9	90461-14150-00	CLAMP	1	
10	59J-15191-00-00	PLATE	1	
11	1FK-15358-00-00	SEPARATOR, OIL	1	
12	1FK-15379-00-00	SEAL, CRANKCASE	1	
13	1FK-15494-00-00	SEAL, PROTECTOR	1	
14	98507-06012-00	SCREW, PAN HEAD	4	
15	92907-06600-00	WASHER, PLATE (92906-06600-00)	4	
16	59J-11455-00-00	SHAFT 1	1	



4XY1100-9470

STARTING MOTOR

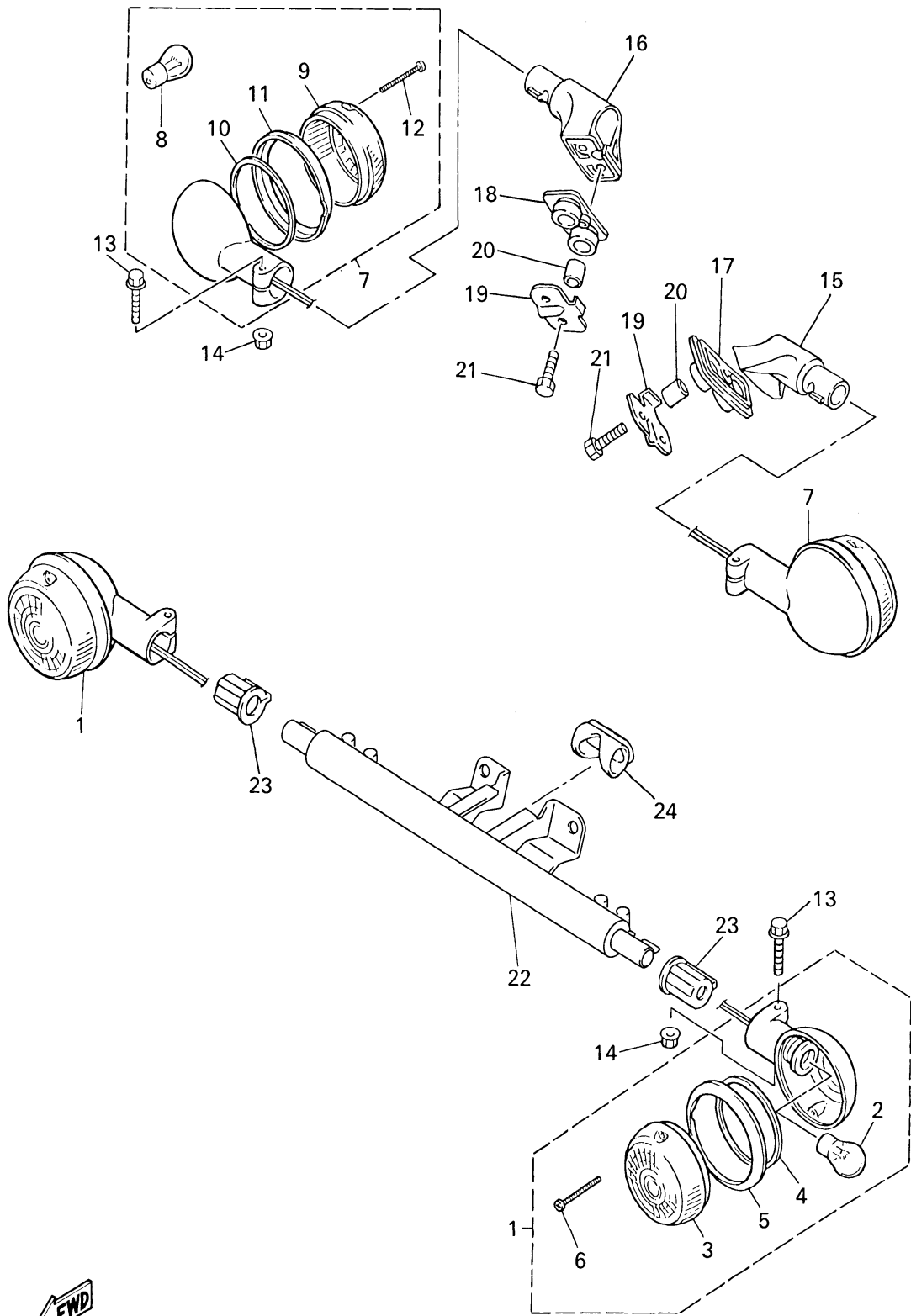


Ref. No.	Part Number	Description	Qty	Remarks
1	4NK-81800-00-00	STARTING MOTOR ASSEMBLY	1	
2	1FK-81847-00-00	. O-RING	1	
3	11H-81844-00-00	. GASKET	2	
4	3AJ-81826-00-00	. BOLT	2	
5	3AJ-81801-00-00	. BRUSH SET	1	
6	95827-06025-00	BOLT, FLANGE	1	
7	95827-06055-00	BOLT, FLANGE	1	



3LR351-0400

FLASHER LIGHT

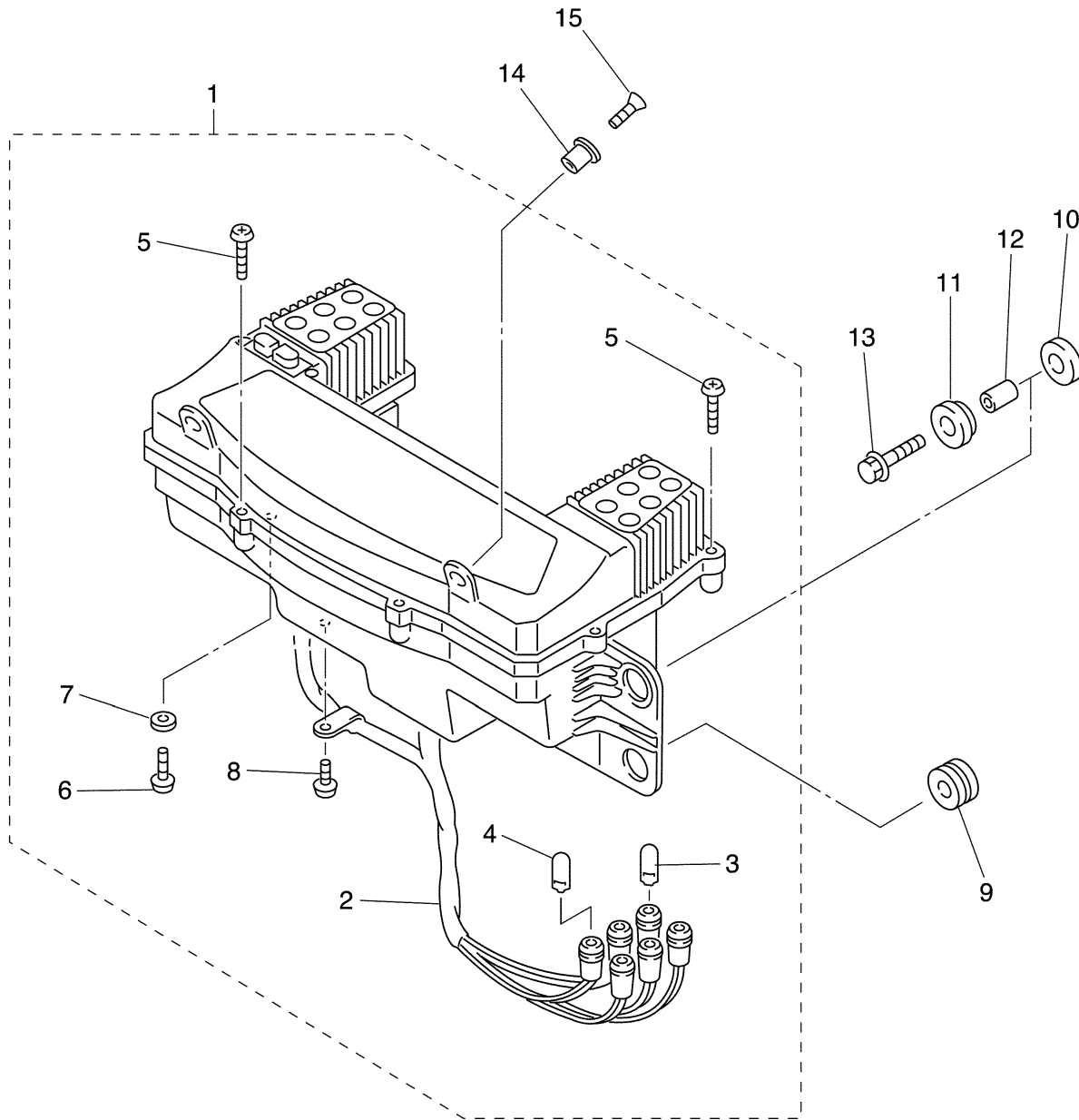


Ref. No.	Part Number	Description	Qty	Remarks
1	4NK-83310-00-00	FRONT FLASHER LIGHT ASSEMBLY 1	2	
2	256-84714-61-00	. BULB (12V-27/8W)	1	
3	42X-83312-00-00	. LENS, FLASHER	1	
4	42X-83313-00-00	. GASKET, FLASHER LENS	1	
5	42X-83363-00-00	. LENS, RIM	1	
6	57M-83358-00-00	. SCREW, SPECIAL	2	
7	42X-83330-K0-00	REAR FLASHER LIGHT ASSEMBLY 1	2	
8	256-83311-70-00	. BULB (12V-27W)	1	
9	42X-83312-00-00	. LENS, FLASHER	1	
10	42X-83313-00-00	. GASKET, FLASHER LENS	1	
11	42X-83363-00-00	. LENS, RIM	1	
12	57M-83358-00-00	. SCREW, SPECIAL	2	
13	95024-06030-00	BOLT, FLANGE	4	
14	95704-06500-00	NUT, FLANGE	4	
15	4YE-83318-00-00	STAY, FLASHER 1	1	
16	4YE-83328-00-00	STAY, FLASHER 2	1	
17	4YE-83314-00-00	BASE, FLASHER 1	1	
18	4YE-83324-00-00	BASE, FLASHER 2	1	
19	4YE-8334F-00-00	WASHER, SPECIAL 8	2	
20	90387-064M9-00	COLLAR	4	
21	97007-06020-00	BOLT	4	
22	4XY-2317V-00-00	STAY, 8	1	
23	4NK-83321-00-00	DAMPER, FLASHER 1	2	
24	4NK-83345-00-00	PLUG, BLIND	1	



4XY1100-9490

METER

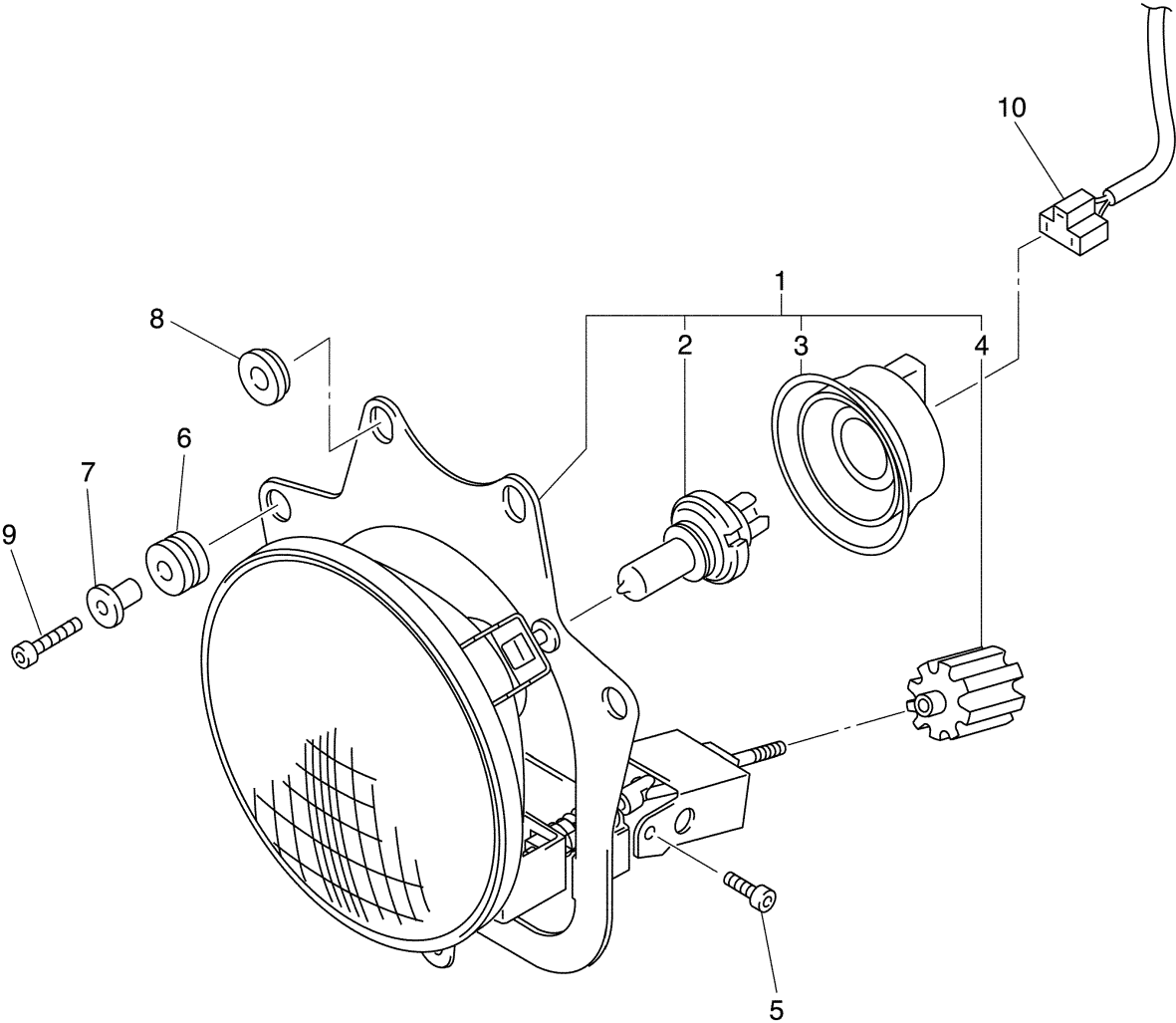


Ref. No.	Part Number	Description	Qty	Remarks
1	4XY-83500-00-00	SPEEDOMETER ASSEMBLY ..	1	
2	4XY-83509-00-00	. SOCKET CORD ASSEMBLY .	1	
3	42X-83517-00-00	. BULB (12V-3W)	1	
4	2GV-83517-00-00	. BULB (12V-1.7W, T6.5)	11	
5	97707-30014-00	. SCREW, TAPPING	13	
6	98507-03010-00	. SCREW, PAN HEAD	2	
7	92907-03100-00	. WASHER	2	
8	90164-04023-00	. SCREW, TAPPING	1	
9	90480-14102-00	GROMMET	2	
10	4XY-8338V-00-00	DAMPER	2	
11	4XY-83393-00-00	DAMPER 2	2	
12	90387-064W3-00	COLLAR	2	
13	95807-06025-00	BOLT, FLANGE	2	
14	90179-05523-00	NUT	2	
15	98707-05016-00	SCREW, FLAT HEAD	2	



4XY1100-9500

HEADLIGHT

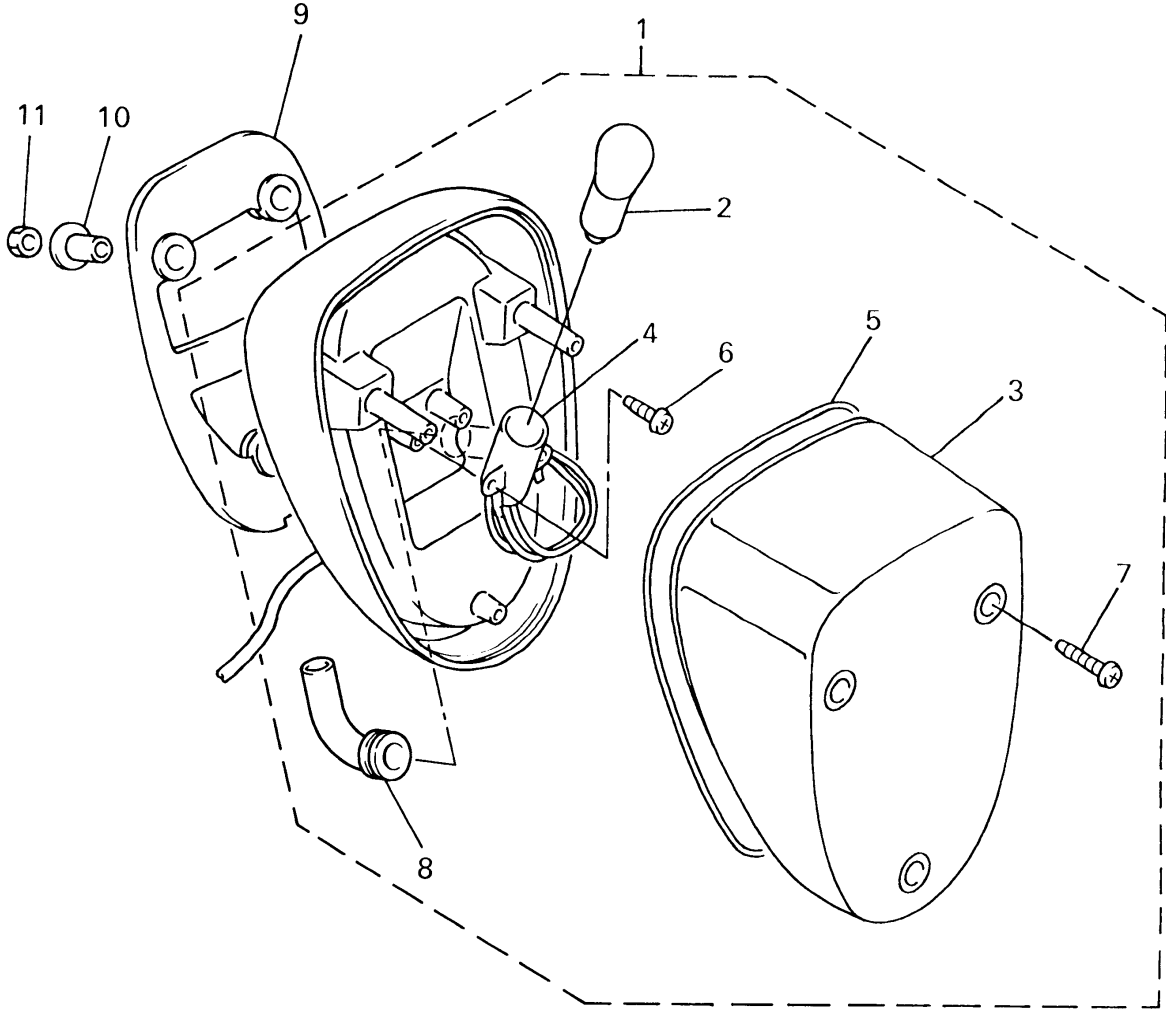


Ref. No.	Part Number	Description	Qty	Remarks
1	4XY-84300-00-00	HEADLIGHT ASSEMBLY	1	
2	2F9-84314-00-00	. BULB (12V-60/55W)	1	(H4)HALOGEN
3	3SX-84397-00-00	. COVER, SOCKET	1	
4	4XY-8432M-00-00	. KNOB ASSEMBLY	1	
5	91317-06010-00	BOLT	1	
6	90480-14229-00	GROMMET	2	
7	90387-07391-00	COLLAR	2	
8	90480-01558-00	GROMMET	2	
9	91317-06025-00	BOLT	2	
10	4XY-84359-00-00	CORD, HEADLIGHT	1	

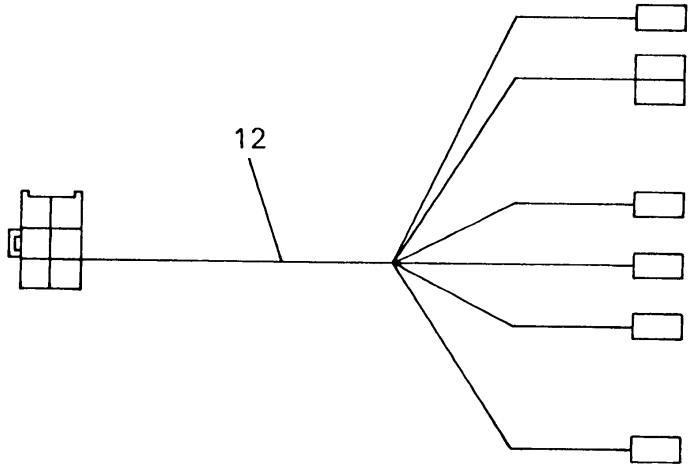


4XY1100-9510

TAILLIGHT



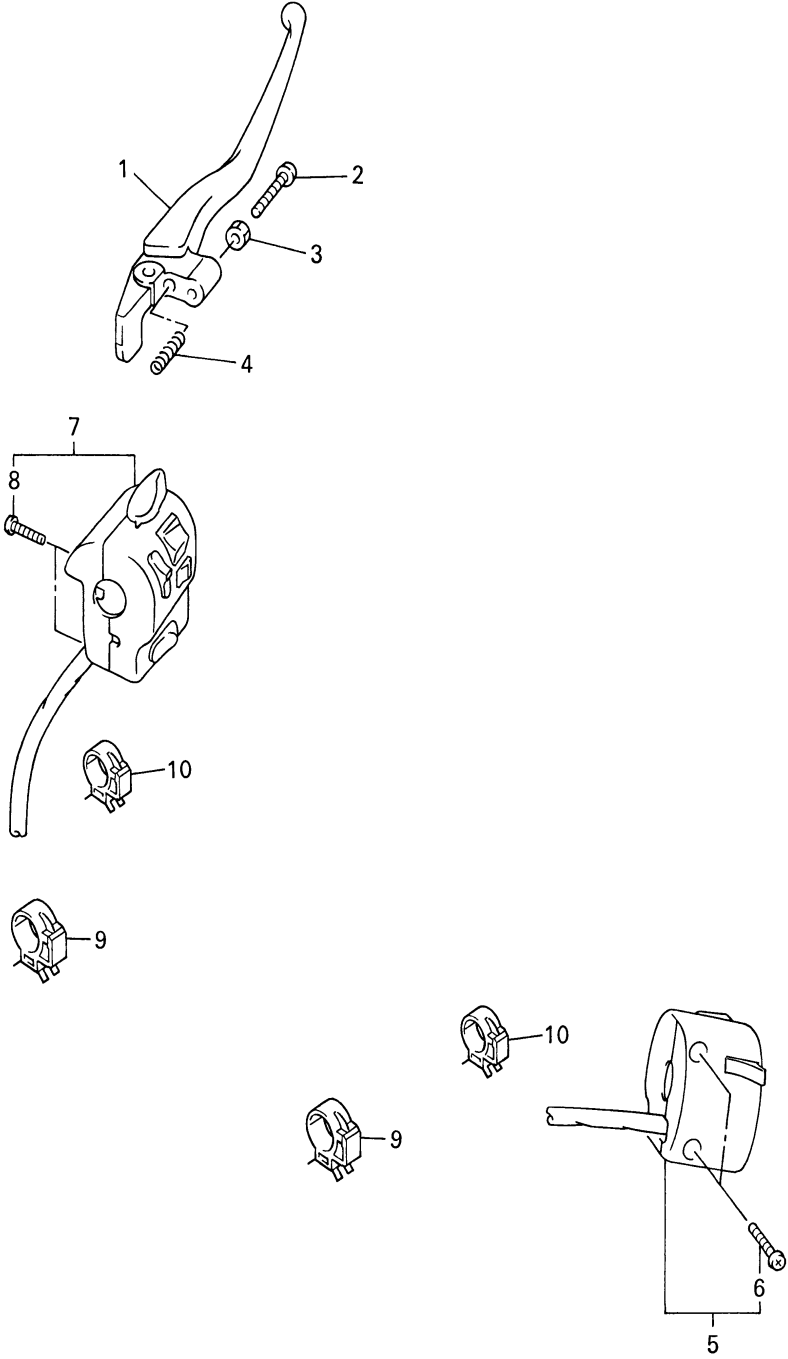
Ref. No.	Part Number	Description	Qty	Remarks
1	5BN-84700-00-00	TAILLIGHT ASSEMBLY	1	
2	256-84714-60-00	. BULB	1	
3	4NK-84721-00-00	. LENS, TAILLIGHT	1	
4	5BN-84735-00-00	. CORD ASSEMBLY	1	
5	4NK-84702-00-00	. GASKET, TAILLENS	1	
6	97707-40516-00	. SCREW, TAPPING	2	
7	97780-40525-00	. SCREW, TAPPING	3	
8	5BN-84154-00-00	. GROMMET	1	
9	4NK-84527-01-00	DAMPER	1	
10	90387-063E6-00	COLLAR	3	
11	95307-06600-00	NUT	3	
12	4NK-84717-00-00	CORD, TAILLIGHT	1	



4NK7100-8450

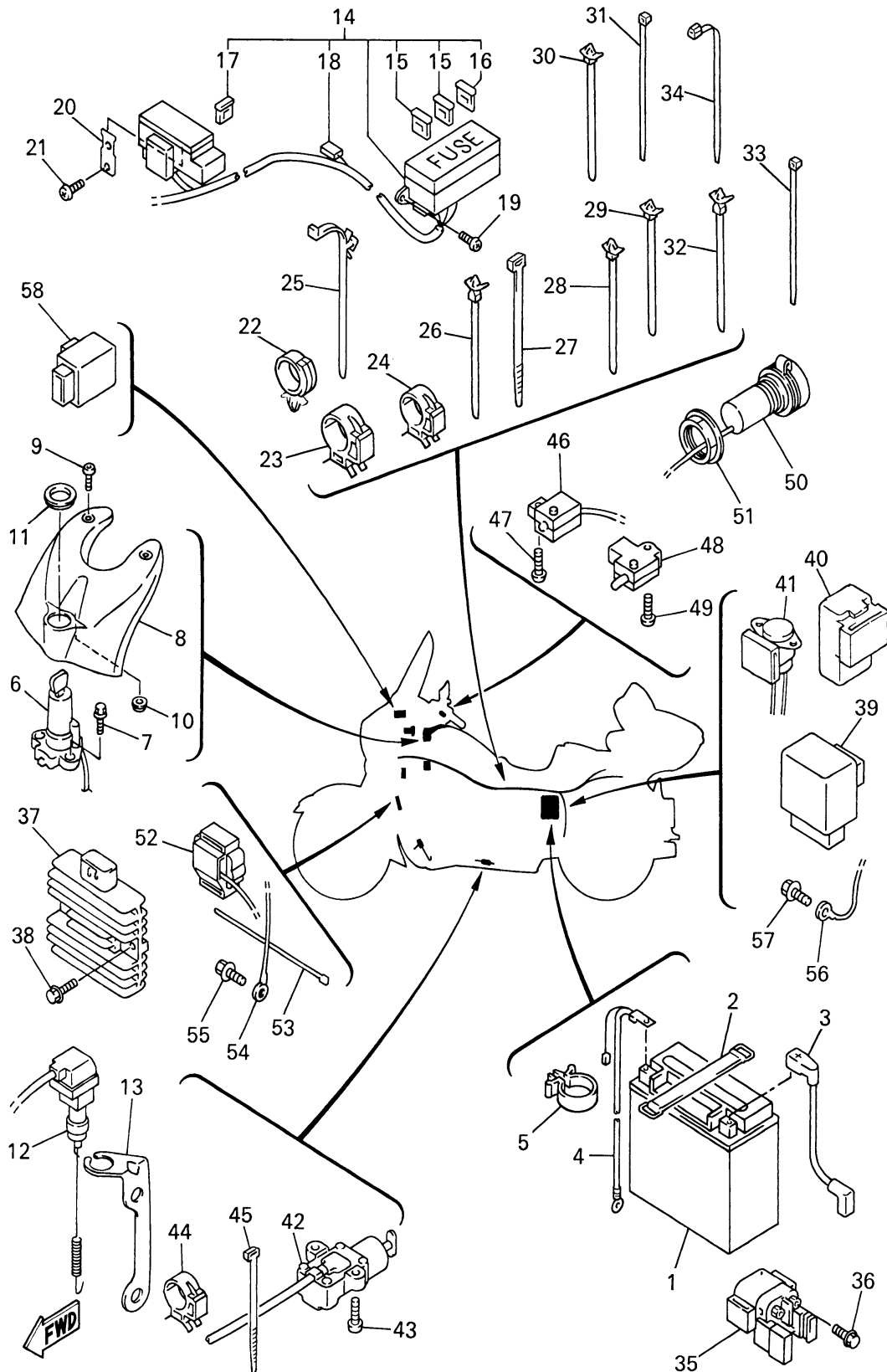
HANDLE SWITCH - LEVER

Ref. No.	Part Number	Description	Qty	Remarks
1	5EY-83922-00-00	LEVER 2	1	
2	90149-06131-00	SCREW	1	
3	90170-06010-00	NUT	1	
4	90501-10510-00	SPRING, COMPRESSION	1	
5	4XY-83972-00-00	SWITCH, HANDLE 4	1	
6	98504-05025-00	. SCREW, PAN HEAD	2	
7	4XY-83969-10-00	SWITCH, HANDLE 5	1	
8	98580-05025-00	. SCREW, PAN HEAD	2	
9	90464-25217-00	CLAMP	2	
10	90464-20191-00	CLAMP	2	



4XY1100-9530

ELECTRICAL 1

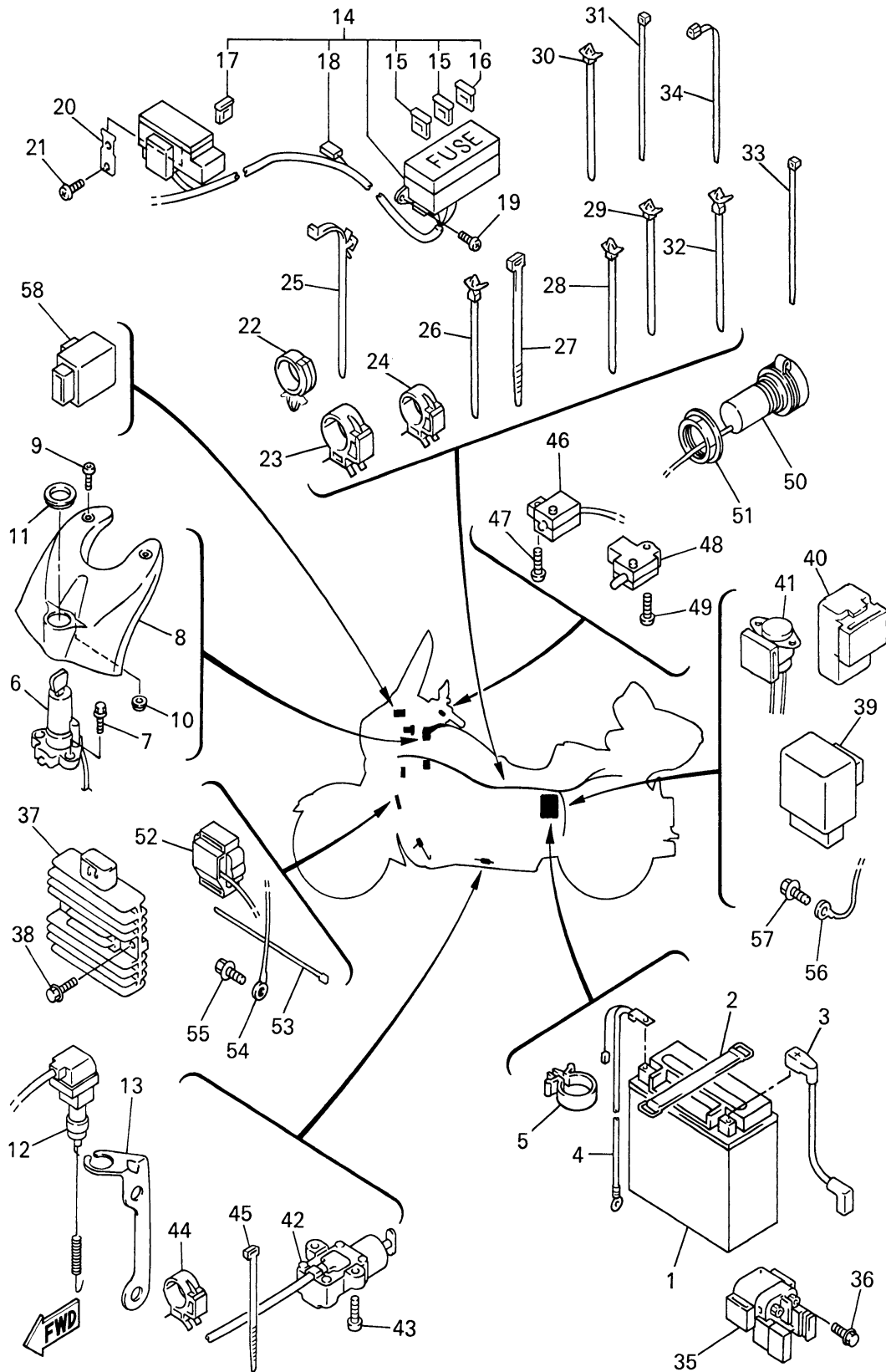


4XY1100-9540

Ref. No.	Part Number	Description	Qty	Remarks
1	BTY-YTX20-LB-S0	BATTERY ASSEMBLY (YTX20L-BS)	1	
2	120-82131-00-00	BAND, BATTERY	1	
3	4NK-82115-00-00	WIRE, PLUS LEAD	1	
4	4XY-82116-00-00	WIRE, MINUS LEAD	1	
5	90464-13133-00	CLAMP	1	
6	4XY-82501-00-00	MAIN SWITCH STEERING LOCK	1	
7	90109-080G5-00	BOLT	2	
8	4XY-8291G-00-00	COVER, SWITCH	1	
9	90149-06264-00	SCREW	2	
10	90480-01558-00	GROMMET	1	
11	4XY-82545-00-00	GROMMET	1	
12	4XY-82530-00-00	STOP SWITCH ASSEMBLY	1	
13	4XY-82539-00-00	STAY, STOP SWITCH	1	
14	4XY-82590-00-00	WIRE HARNESS ASSEMBLY	1	
15	42X-82151-00-00	. FUSE (10A-BL)	8	
16	36Y-82151-00-00	. FUSE (15A-BL)	3	
17	1NL-82151-00-00	. FUSE (5A-BL)	3	
18	3WP-81980-00-00	. DIODE ASSEMBLY	1	
19	98907-06012-00	SCREW, BIND	2	
20	4XY-81953-00-00	STAY, RELAY	1	
21	97707-50016-00	SCREW, TAPPING	1	
22	90464-25217-00	CLAMP	2	
23	90464-07209-00	CLAMP	1	
24	90464-20191-00	CLAMP	3	
25	90464-20213-00	CLAMP	1	
26	90464-12036-00	CLAMP	1	
27	1UA-82591-00-00	BAND	3	

CONTINUED ON NEXT FRAME ►

ELECTRICAL 1

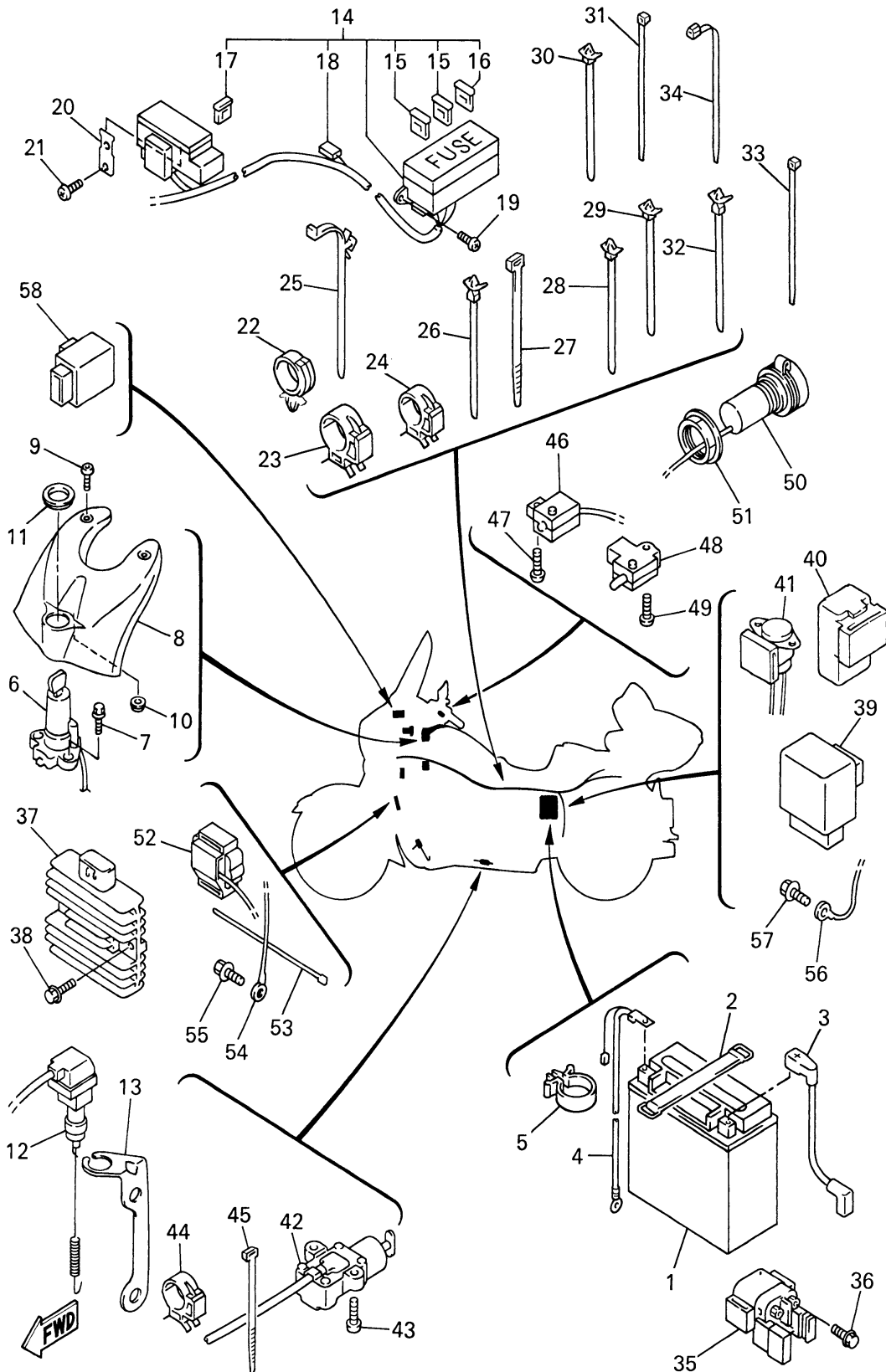


4XY1100-9540

Ref. No.	Part Number	Description	Qty	Remarks
28	90464-12089-00	CLAMP	4	
29	90464-10112-00	CLAMP	1	
30	90464-12036-00	CLAMP	1	
31	90464-16061-00	CLAMP	3	
32	90464-12036-00	CLAMP	1	
33	5Y9-12491-00-00	CLAMP 1	2	
34	90464-13077-00	CLAMP	3	
35	4BH-81940-00-00	STARTER RELAY ASSEMBLY	1	
36	95027-06008-00	BOLT	2	
37	4XY-81960-00-00	RECTIFIER & REGULATOR ASSEMBLY	1	
38	95807-06020-00	BOLT, FLANGE	2	
39	5EA-81950-00-00	RELAY ASSEMBLY	1	FOR SIDE STAND
40	1UY-81950-92-00	RELAY ASSEMBLY	1	
41	3BT-82560-00-00	THERMO SWITCH ASSEMBLY	1	
42	3LD-82566-50-00	SWITCH, SIDE STAND	1	
43	90157-05079-00	SCREW, PAN HEAD	2	
44	90464-10190-00	CLAMP	1	
45	1UA-82591-00-00	BAND	2	
46	4XY-83980-00-00	FRONT STOP SWITCH ASSEMBLY	1	
47	98907-04014-00	SCREW, BIND	1	
48	4XY-82917-00-00	SWITCH	1	
49	98907-04025-00	SCREW, BIND	1	
50	4XY-8254B-00-00	TERMINAL COMP.	1	
51	4XY-82114-00-00	NUT	1	
52	4BH-82576-00-00	EMERGENCY STOP SWITCH ASSEMBLY	1	
53	90464-16061-00	CLAMP	1	
54	4XY-8232Y-00-00	WIRE, EARTH LEAD	1	

CONTINUED ON NEXT FRAME ►

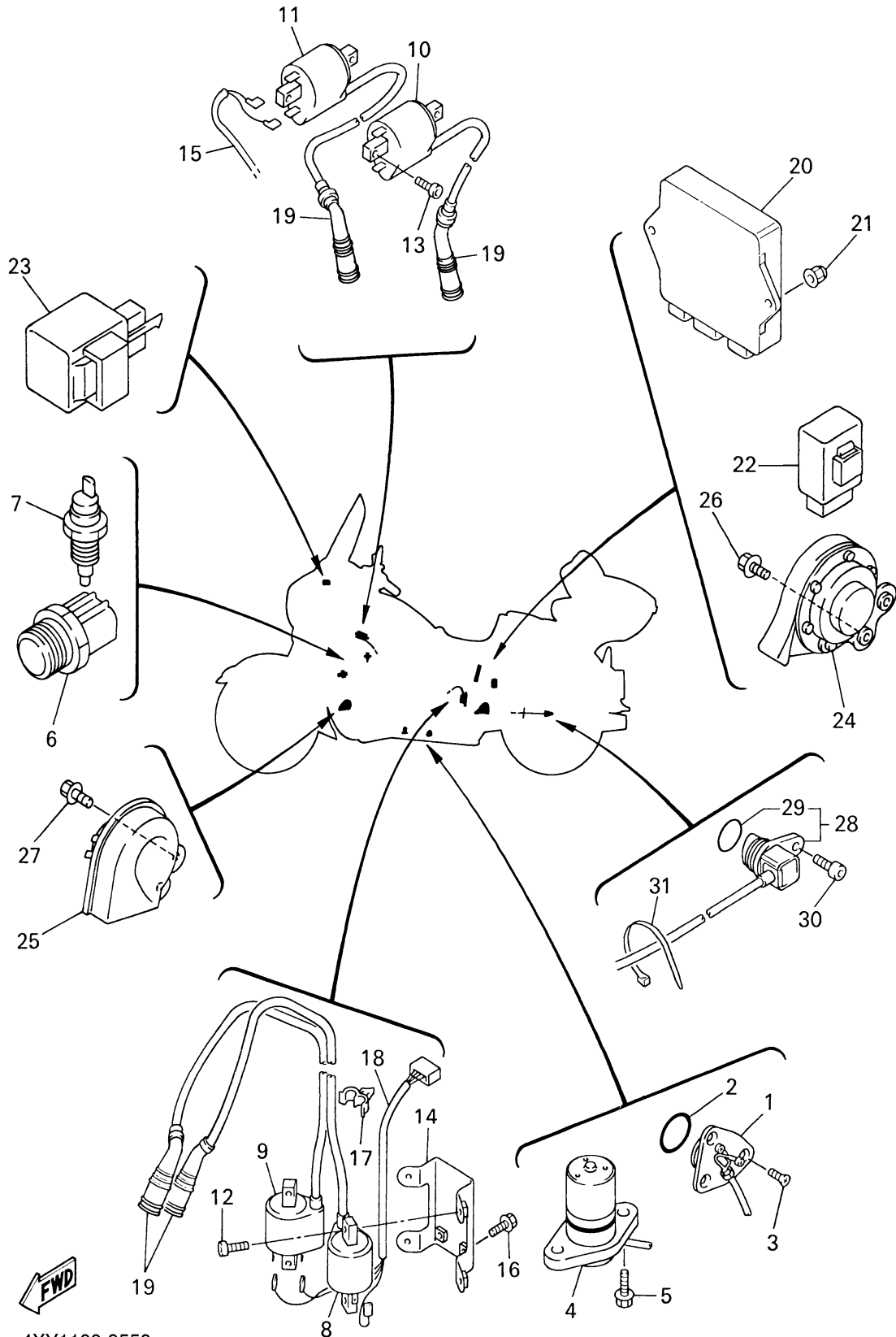
ELECTRICAL 1



4XY1100-9540

Ref. No.	Part Number	Description	Qty	Remarks
55	95807-06010-00	BOLT, FLANGE	2	
56	4XY-82519-00-00	WIRE, EARTH LEAD	1	
57	95807-06010-00	BOLT, FLANGE	2	
58	4XY-81950-00-00	RELAY ASSEMBLY	1	

ELECTRICAL 2

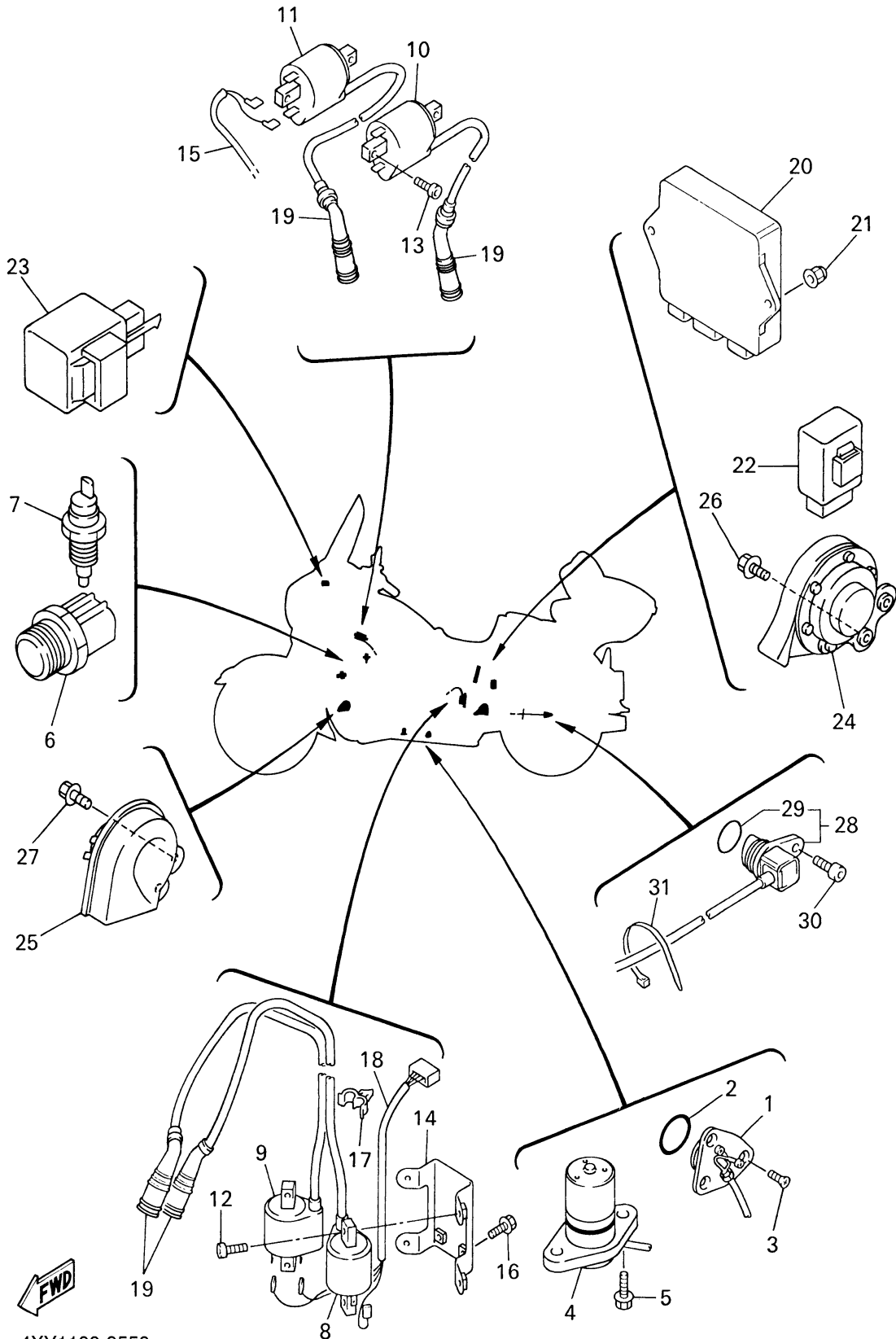


Ref. No.	Part Number	Description	Qty	Remarks
1	4WY-82540-00-00	NEUTRAL SWITCH ASSEMBLY	1	
2	93210-29196-00	O-RING	1	
3	90149-05321-00	SCREW	3	
4	4XY-85720-00-00	OIL LEVEL GAUGE ASSEMBLY	1	
5	95027-06016-00	BOLT, FLANGE	2	
6	5EB-82560-00-00	THERMO SWITCH ASSEMBLY	1	
7	3YX-82560-00-00	THERMO SWITCH ASSEMBLY	1	
8	4XY-82310-00-00	IGNITION COIL ASSEMBLY	1	
9	4XY-82310-10-00	IGNITION COIL ASSEMBLY	1	
10	4XY-82320-10-00	IGNITION COIL ASSEMBLY	1	
11	4XY-82320-00-00	IGNITION COIL ASSEMBLY	1	
12	91317-05016-00	BOLT	4	
13	97007-05016-00	BOLT	4	
14	4NK-82316-00-00	BRACKET, IGNITION COIL	1	
15	4XY-82309-00-00	WIRE, SUB LEAD	1	
16	95807-06010-00	BOLT, FLANGE	2	
17	90464-09130-00	CLAMP	1	
18	4NK-82509-00-00	WIRE, SUB LEAD	1	
19	4XY-82370-00-00	PLUG CAP ASSEMBLY	4	
20	4XY-82305-00-00	IGNITOR UNIT ASSEMBLY	1	
21	90176-06065-00	NUT, CROWN	2	
22	4NK-83350-00-00	FLASHER RELAY ASSEMBLY	1	
23	3GM-83350-01-00	FLASHER RELAY ASSEMBLY	1	
24	4NK-83371-00-00	HORN	1	
25	4XY-83371-00-00	HORN	1	
26	90119-06217-00	BOLT, WITH WASHER	2	
27	95807-06010-00	BOLT, FLANGE	2	
28	4NK-83755-00-00	SENSOR, SPEED	1	
29	4NK-85075-00-00	O-RING	1	

CONTINUED ON NEXT FRAME ➤

4XY1100-9550

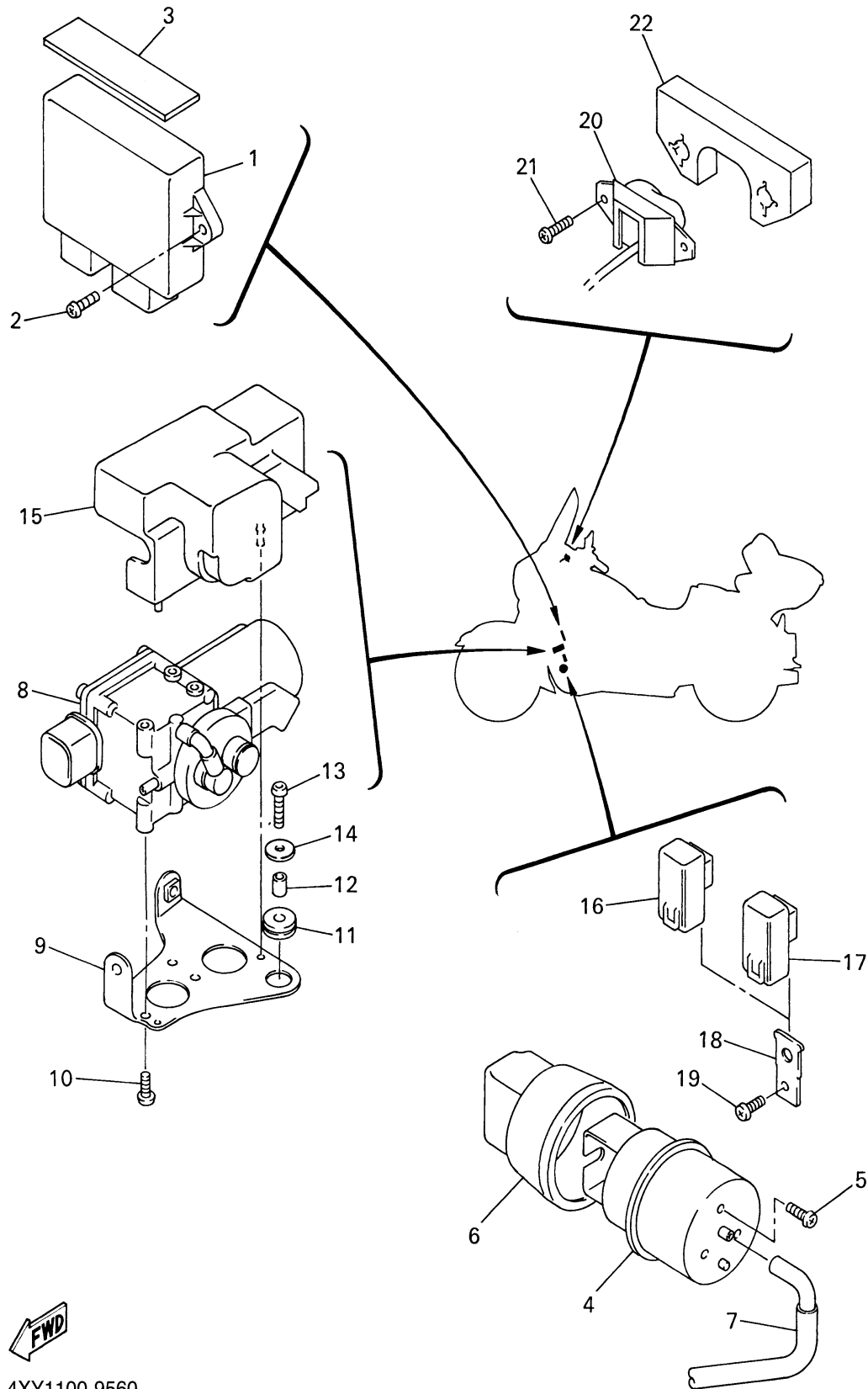
ELECTRICAL 2



Ref. No.	Part Number	Description	Qty	Remarks
30	90109-081F0-00	BOLT	1	
31	90465-13275-00	CLAMP	1	

FWD
4XY1100-9550

ELECTRICAL 3

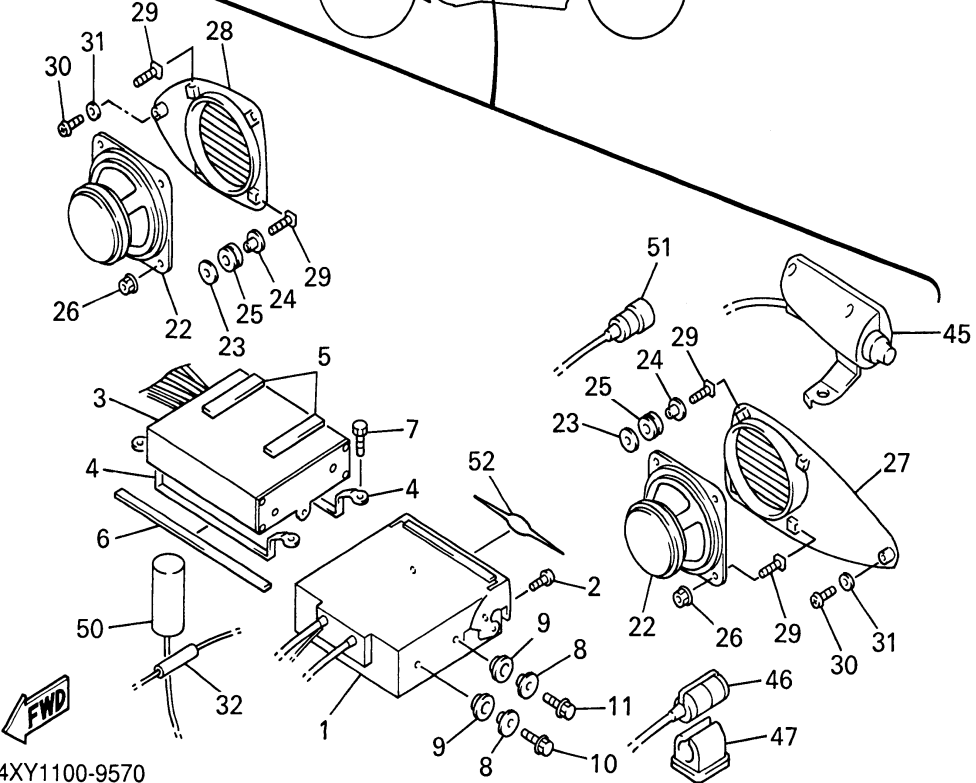
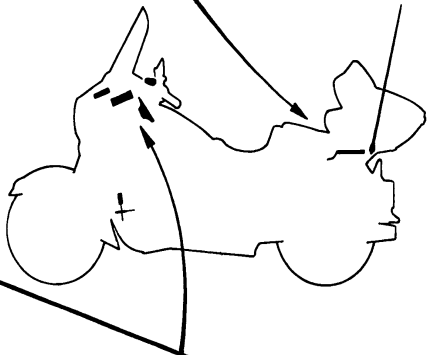
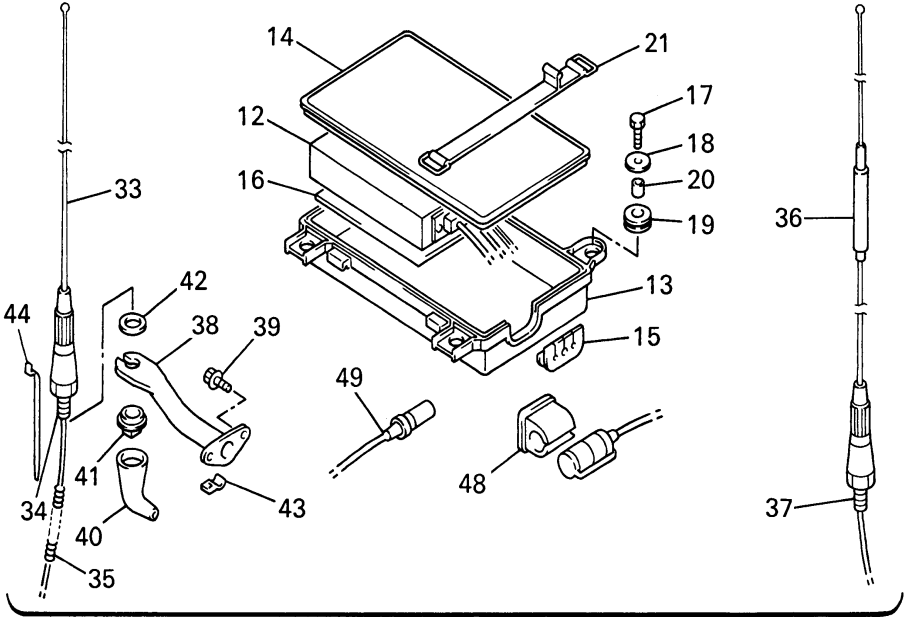


Ref. No.	Part Number	Description	Qty	Remarks
1	4XY-85830-00-00	CONTROL UNIT ASSEMBLY ..	1	
2	97707-60016-00	SCREW, TAPPING	2	
3	4XY-2834E-00-00	DAMPER	1	
4	4XY-85860-00-00	VACUUM ACTUATOR	1	
5	97707-50016-00	SCREW, TAPPING	3	
6	4XY-85825-00-00	COVER, WIRE	1	
7	4XY-2840B-00-00	PIPE 1	1	
8	4XY-85861-00-00	PUMP, VACUUM	1	
9	4XY-28321-00-00	STAY 1	1	
10	97707-50014-00	SCREW, TAPPING	3	
11	90480-15235-00	GROMMET	3	
12	90387-064M9-00	COLLAR	3	
13	92017-06020-00	BOLT, BUTTON HEAD	3	
14	90201-064H0-00	WASHER, PLATE	3	
15	4XY-28365-00-00	COVER	1	
16	1UY-81950-92-00	RELAY ASSEMBLY	1	
17	29U-81950-93-00	RELAY ASSEMBLY	1	
18	1VJ-81953-00-00	STAY, RELAY	2	
19	97707-50014-00	SCREW, TAPPING	2	
20	4XY-8596A-00-00	AUTO CRUISE SWITCH ASSEMBLY	1	
21	97707-40010-00	SCREW, TAPPING	2	
22	4XY-82176-00-00	DAMPER	1	



4XY1100-9560

AUDIO EQUIPMENT 1

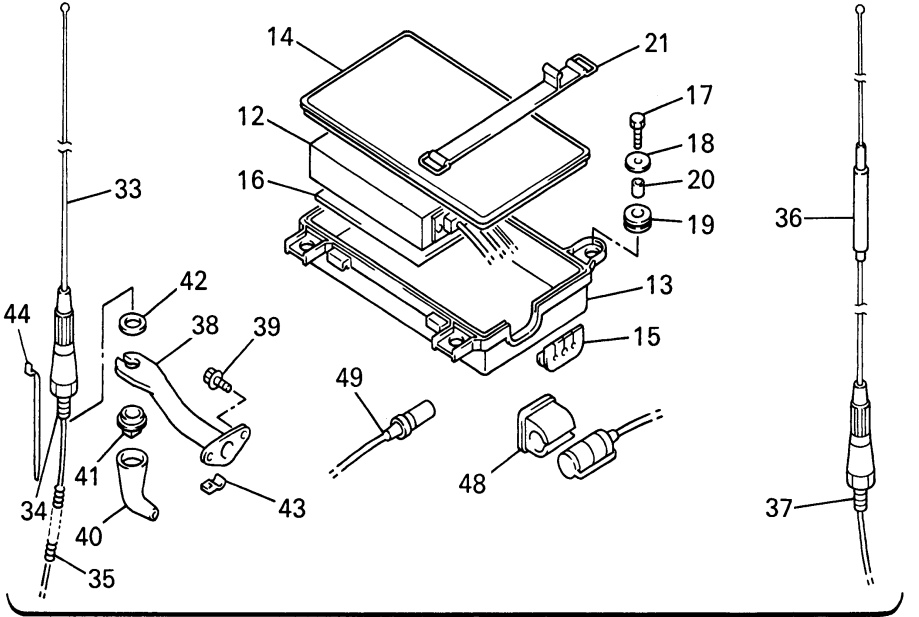


Ref. No.	Part Number	Description	Qty	Remarks
1	4XY-88150-00-P0	CASSETTE DECK ASSEMBLY .	1	UR VDMC1
	4XY-88150-00-P1	CASSETTE DECK ASSEMBLY .	1	UR YNM5
2	98507-04012-00	SCREW, PAN HEAD	2	
3	4XY-88132-00-00	AMP. POWER	1	
4	4XY-88114-00-00	BRACKET, RADIO	2	
5	4XY-88158-00-00	DAMPER	2	
6	4XY-88149-00-00	DAMPER	2	
7	97007-05010-00	BOLT	4	
8	90387-06024-00	COLLAR	4	
9	90480-14429-00	GROMMET	4	
10	95027-06014-00	BOLT, FLANGE	3	
11	95024-06012-00	BOLT, FLANGE	1	
12	4XY-88182-00-00	BLACK BOX, CB	1	
13	4XY-8818B-00-00	COVER 1	1	
14	4XY-8818C-00-00	COVER 2	1	
15	4XY-8818E-00-00	GASKET, CB	1	
16	4XY-8818D-00-00	SEAT 1	1	
17	97007-06025-00	BOLT	4	
18	90201-06380-00	WASHER, PLATE	4	
19	90480-14450-00	GROMMET	4	
20	90387-0714B-00	COLLAR	4	
21	4J2-82131-01-00	BAND, BATTERY	2	
22	4XY-88161-00-00	SPEAKER 1	2	
23	90201-05036-00	WASHER, PLATE	4	
24	90387-06737-00	COLLAR	4	
25	90480-13163-00	GROMMET	4	
26	95707-05500-00	NUT, FLANGE	8	
27	4XY-88163-00-P0	GRILLE, SPEAKER 1	1	UR VDMC1
	4XY-88163-00-P1	GRILLE, SPEAKER 1	1	UR YNM5

CONTINUED ON NEXT FRAME ►

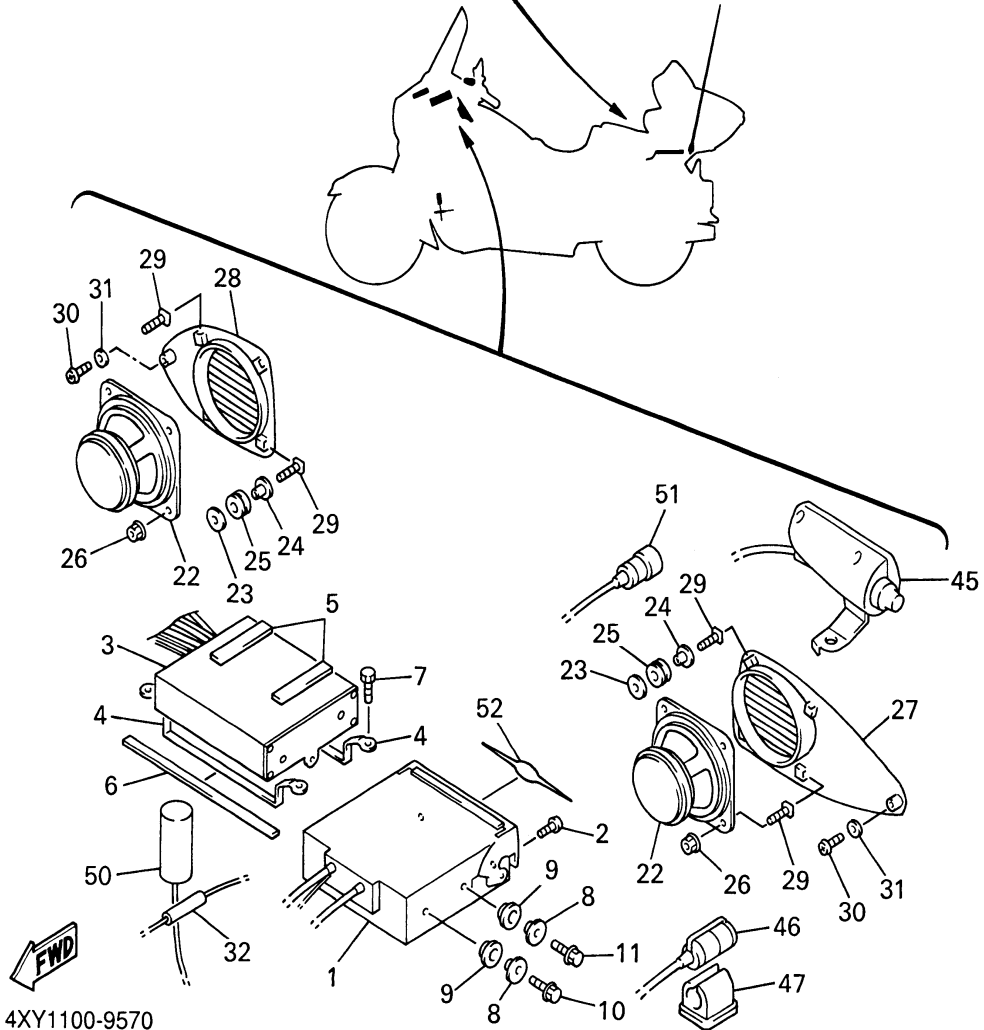
4XY1100-9570

AUDIO EQUIPMENT 1



Ref. No.	Part Number	Description	Qty	Remarks
28	4XY-88173-00-P0	GRILLE, SPEAKER 2	1	UR VDMC1
	4XY-88173-00-P1	GRILLE, SPEAKER 2	1	UR YNM5
29	4XY-28333-00-00	BOLT	8	
30	97707-40012-00	SCREW, TAPPING	2	
31	92907-04600-00	WASHER, PLATE	2	
32	4XY-88188-00-00	FILTER, NOISE	1	
33	4XY-88141-00-00	POLE, CB ANTENNA	1	
34	4XY-88146-00-00	CABLE	1	
35	4XY-82139-00-00	TUBE	1	
36	4XY-88143-00-00	POLE, ANTENNA	1	
37	4XY-88147-00-00	EXTENSION, CORD	1	
38	4XY-88144-00-00	BRACKET, ANTENNA	2	
39	95024-06012-00	BOLT, FLANGE	4	
40	4XY-88145-00-00	COVER	2	
41	4XY-8814A-00-00	SPACER	2	
42	4XY-8814C-00-00	DAMPER 2	2	
43	90464-05188-00	CLAMP	2	
44	90464-13073-00	CLAMP	5	
45	4XY-88168-00-00	REMOTE CONTROL 1	1	
46	4XY-88196-00-00	CORD, HEAD SET 1	1	
47	4XY-88195-00-00	HOLDER, CONNECTOR	1	
48	4XY-88195-00-00	HOLDER, CONNECTOR	1	
49	4XY-88186-00-00	CORD, CB	1	
50	1NL-81965-01-00	CONDENSER, SMOOTHING	1	
51	4XY-88192-00-00	CORD	1	
52	4XY-2839B-00-00	EMBLEM 3D	1	

CONTINUED ON NEXT FRAME ►



4XY1100-9570